

# swing door with top and bottom clamp profile

## technical specifications

MAXIMUM DOOR DIMENSION	1,00m x 3,00m
GLASS THICKNESS	10-22mm
MAXIMUM GLASS WEIGHT	120Kg

FINISHING	NATURAL ANODIZED, SATIN ANODIZED POWDER COATING
-----------	--

INAL® glass swing door with top and bottom STEREON® clamp profile 100 mm without glass cuttings or drills (patented).

A durable designed solution, up to 3 meters height, which provides extra safety and stability. Variety of glass applications (10mm-22mm), with three different sizes of heavy duty accessories according to the glass thickness. Available with lock mechanism in the bottom clamp for significant safety.

Available in do it yourself (DIY) or made to measure upon request.

## clamp profile sizes

Available in **three different sizes** according to the glass thickness:

1. Glass Thickness **10-12mm**
2. Glass Thickness **14-15-16mm**
3. Glass Thickness **20-22mm**



## system accessories

**Available in DIY Kit**

- 1130** UPPER PIVOT
- 1127** DECORATIVE COVER FOR STEREON® PROFILE 100mm
- 1110** SIDE END CAP
- 1100-02** STEREON® CLAMP PROFILE 100mm INTERMETAL SA PATENT
- 1100-04** INTERNAL CLAMP SUPPORT
- 1140** LOCK MECHANISM WITH CYLINDER (DOUBLE LOCKING)
- 1120** LOWER BRACKET

WITHOUT GLASS CUTTINGS OR DRILLS

## side end caps

### ALUMINUM SIDE END CAP



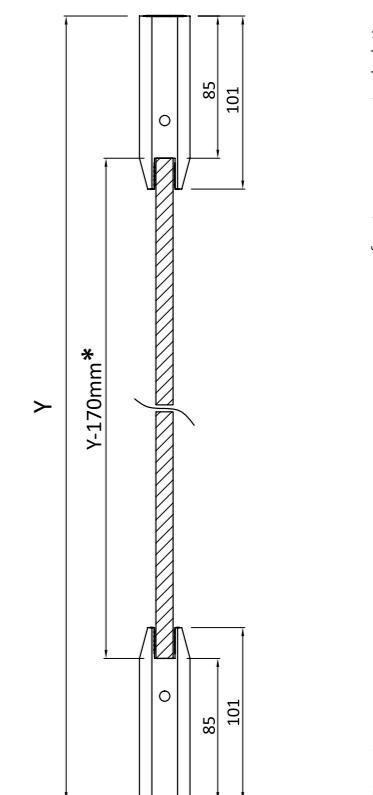
## top pivots

### UPPER PIVOT ALUMINUM



\* With embedded bearing

## cross section



## top pivot

## floor spring

## lock casing

## weatherproofing

CODE <b>105</b>	CODE <b>1229.HD.12</b>	CODE <b>2020*</b>	CODE <b>PR200-24</b>	CODE <b>113</b>
RECTANGULAR TOP PIVOT	HEAVY DUTY RECTANGULAR TOP PIVOT D15MM	FLOOR SPRING SPEEDY M25	FLOOR BUSING STAINLESS STEEL	LOCK CASING STAINLESS STEEL (DOUBLE LOCKING)

\* or any floor spring from our range Catalogue "Glass Accesories"

## brackets

### LOWER BRACKET STAINLESS STEEL



## ! Apply

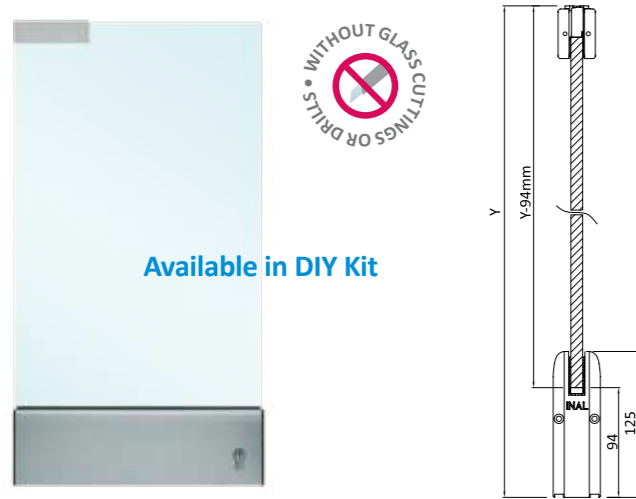
STEREON® PROFILE FOR THE FIXED GLASS PARTITIONS OF YOUR APPLICATIONS



**1104** PROFILE FOR FIXED GLASS STEREON®

## "CURVED" PROFILE 125mm

bottom with mechanical lock  
& upper hinge



## STEREON® PROFILE

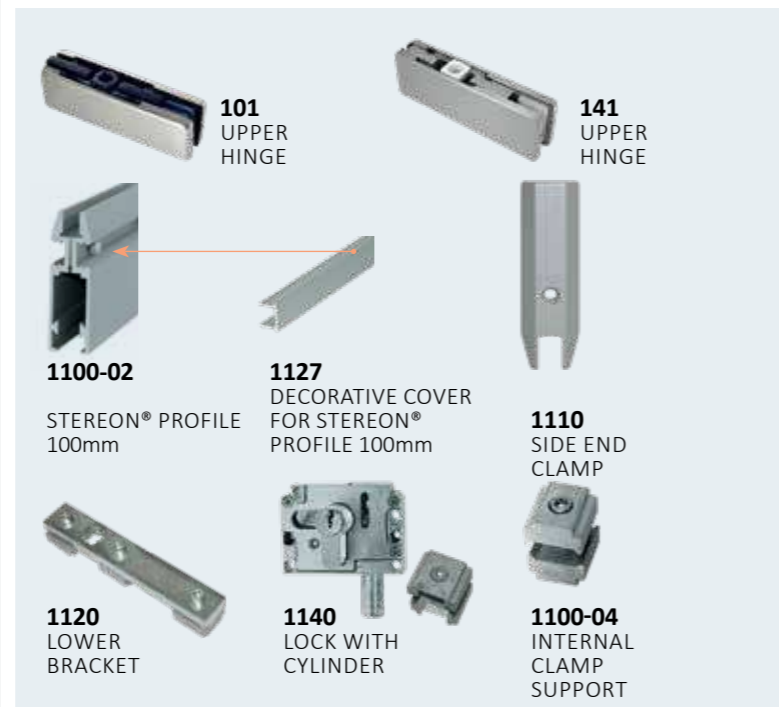
bottom with mechanical lock  
& upper hinge



### system accessories



### system accessories



### top pivot

### floor spring

### lock casing

### weatherproofing

CODE 105	CODE 1229.HD.12	CODE 2020*	CODE PR200-24	CODE 113
RECTANGULAR TOP PIVOT	HEAVY DUTY RECTANGULAR TOP PIVOT D15MM	FLOOR SPRING SPEEDY M25	FLOOR BUSING STAINLESS STEEL	LOCK CASING STAINLESS STEEL (DOUBLE LOCKING)

	CODE 701 ALUMINUM BAR WITH BRUSH
	CODE 1412 PVC PROFILE WITH BRUSH
	CODE 1405 PVC PROFILE BUBBLE
	CODE 1409 PVC PROFILE WITH T-SHAPE FLEXIBLE

\* or any floor spring from our range Catalogue "Glass Accessories"

www.inal.gr

## electric locks

### ONE WAY DOOR

295  
ELECTROMAGNETIC LOCK  
OPERATES WITH 12V DC



### DOUBLE ACTION DOOR AL/R

298  
ELECTROMAGNETIC LOCK  
OPERATES WITH 12V DC



## accessories for electric locks

