

"CURVED" PROFILE 125mm

sliding system with top and bottom clamp profile



INAL® sliding system with top and bottom clamp profile without glass cuttings or drills (patented), with "CURVED" design external cover profile 125 mm. A durable designed sliding solution, up to 3,20 meters height. Easy installation. Silent and smooth operation.

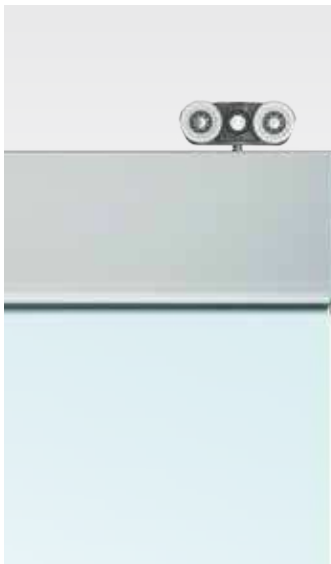
Variety of applications, in combination with INAL dust-free top aluminum rails. Available in do it yourself (DIY) or made to measure upon request.

technical specifications

MAXIMUM DOOR DIMENSION (WITH 2 ROLLERS)	1,20m x 3,00m
GLASS THICKNESS	10-12mm
MAXIMUM GLASS WEIGHT (WITH 2 ROLLERS)	100Kg
FINISHING	
NATURAL ANODIZED, SATIN ANODIZED, POWDER COATING	

system accessories

Available in DIY Kit



1156
ROLLER FOR SLIDING DOOR

1554
HANGER FOR ROLLER FOR "CURVED" PROFILE 125mm



619
STAINLESS STEEL HANDLE OR ANY HANDLE/KNOB FROM OUR RANGE *



PR200-19
"CURVED" CLAMP COVER 125mm



INTERMETAL SA PATENT
1200-01
"CURVED" CLAMP PROFILE 125mm



PR200-42
SIDE END CAP

* Requires holes to the glass

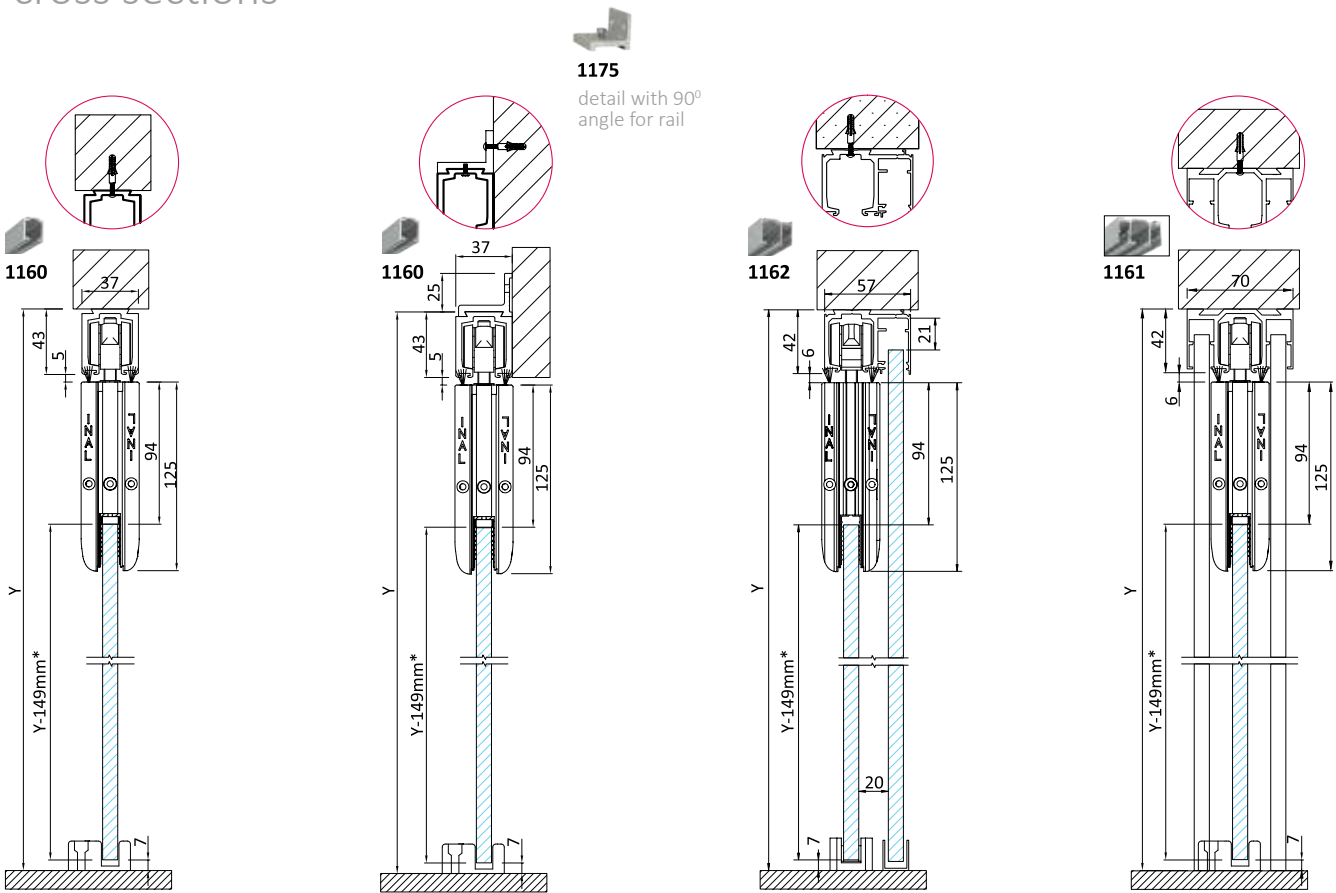
stoppers

floor guides

locks

CODE 1171	CODE 1170	CODE 1152 ADJUSTABLE FOR 8-10-12mm	CODE 1152G	CODE 1151.3040	CODE 1151	CODE 210	CODE 227 & 228
STOPPER WITH HOLD	STOPPER	STAINLESS STEEL FLOOR GUIDE	STAINLESS STEEL FLOOR GUIDE	FLOOR GUIDE FOR GLASS (FIA 1162)	FLOOR GUIDE FOR GLASS	BOTTOM LOCK (DOUBLE LOCKING)	SIDE LOCK & FEMALE FOR SLIDING DOOR

cross sections



rails & supports

<p>* UNIQUE DESIGNED DUST-FREE TOP RAILS</p> <p>CODE 1160</p> <p>SLIDING ALUMINUM RAIL 40X40</p>	COMBINED WITH	<p>CODE 1558</p> <p>RAIL SIDE END CAP</p>	<p>CODE 1175</p> <p>90° ANGLE FOR RAIL (FOR 1160)</p>	<p>1160/1162.001.C1.14</p> <p>90° INTERNAL CONNECTION ANGLE FOR RAIL (FOR 1160 & 1162)</p>
<p>* UNIQUE DESIGNED DUST-FREE TOP RAILS</p> <p>CODE 1162</p> <p>SLIDING ALUMINUM RAIL 60X40 WITH ONE FIXED GLASS</p>		<p>1122 1127</p> <p>CODE 1122 & 1127</p> <p>DECORATIVE COVERS (1122 FOR 1161 & 1127 FOR 1162)</p>	<p>1128</p> <p>DECO. COVER (1161 & 1162)</p>	<p>1692.10</p> <p>ALUM. PROFILE "U" (FOR FIXED GLASS)</p>
<p>* UNIQUE DESIGNED DUST-FREE TOP RAILS</p> <p>CODE 1161</p> <p>SLIDING ALUMINUM RAIL 80X40 WITH TWO FIXED ELEMENTS (GLASTER BOARD)</p>	COMBINED WITH	<p>CODE 1176</p> <p>WALL SUPPORT FOR RAIL</p>	<p>WALL INSTALLATION DETAILS</p>	

weatherproofing

<p>CODE 703</p> <p>BRUSH L18 & L35 (FOR 751 & 752)</p>
<p>CODE 751</p> <p>ALUMINUM BAR HOUSING FOR BRUSH</p>
<p>751+703</p>
<p>CODE 701</p> <p>ALUMINUM BAR WITH BRUSH</p>
<p>CODE 752</p> <p>ALUMINUM BAR HOUSING FOR BRUSH</p>
<p>CODE 1412</p> <p>PVC PROFILE WITH BRUSH</p>
<p>CODE 1422</p> <p>PVC PROFILE ANGLE 15MM</p>
<p>CODE 1413</p> <p>PVC PROFILE WITH MAGNET</p>
<p>CODE 1435</p> <p>PVC PROFILE LARGE BUBBLE</p>
<p>CODE 1444.2010.10</p> <p>CURVED WEATHERPROOFING PROFILE</p>