

side mounted glass balustrade rail



INTERMETAL SA PATENT



! Combine with INAL®



HANDRAIL PROFILE «Ω»
5022.25



HANDRAIL PROFILE «Π»
5026.25

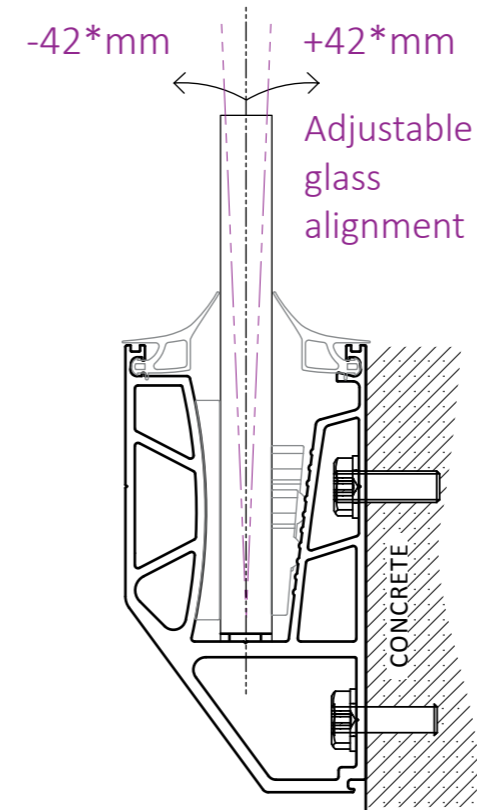
ALWAYS USE SAFETY GLASS.
ALL FIGURES ARE CALCULATED WITH TEMPERED-LAMINATED GLASS.
ALWAYS FOLLOW THE REGULATIONS OF THE GLASS FABRICATORS.

INAL® SIDE MOUNTED glass balustrade base rail solution for balconies. An innovative, patented aluminum rail profile with adjusting alignment for the easiest installation of the glass. A durable and secure glass balustrading application glass thickness from 12-21,52mm safety glass. Maximum glass height 1,20m from the floor level (finished floor) and maximum glass height 1,30m in total without any vertical supports or connectors. Combined with stainless steel and aluminum decorative covers.

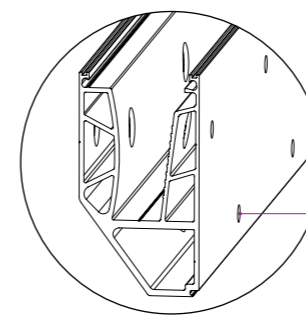
technical specifications

WIDTH	77mm
HEIGHT	143mm
GLASS THICKNESS	12,00mm- 13,52mm 15,00mm- 17,52mm 19,00mm- 21,52mm
LENGTH	3m
MATERIAL	ALUMINUM
FINISHING	ALUMINUM MILL FINISH
COVER FINISHING	STAINLESS STEEL MIRROR, STAINLESS STEEL SATIN, RAL POWDER COATING

glass alignment



GLASS HEIGHT	ALIGNMENT
1,0m	± 34mm
1,10m	± 38mm
1,20m	± 42mm

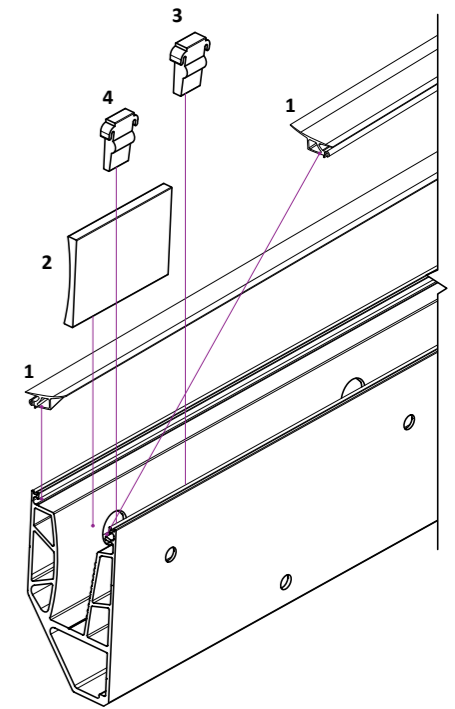


Prefabricated (drilled)
from the factory

parts

1. GASKET
2. ADJUSTABILITY PLATE
3. WEDGE A
4. WEDGE B
- 5A. SQUARE TYPE COVER
- 5B. PRISMATIC TYPE COVER

COVERS



cross sections

