

FLAT BAR SERIES

sliding glass doors

Specially designed for interior applications and shower cabinets'. The high quality stainless steel components come with the manufacturers' guaranty to provide a reliable, strong and silent function, while being light and easy to use.

Due to its' smart design, the "FLAT BAR" system comes in an easy Do It Your Self Kit (DIY) for the professional installer.

The stainless steel rollers and stainless steel sliding bar can support glass panels up to 70kg while they minimize the gap distance between the steady and slidind glass panels to 26mm!

AVAILABLE IN DIY KIT

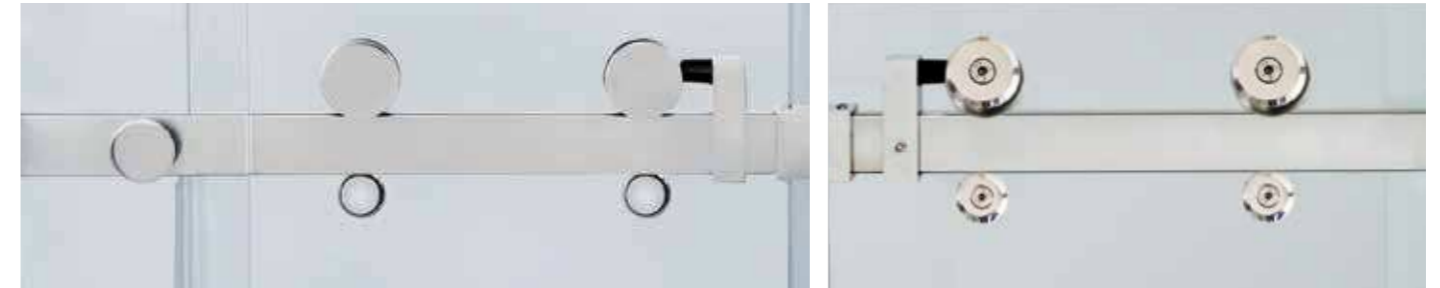


technical specifications

MAXIMUM DOOR DIMENSION (WITH TWO ROLLERS)	1,00m x 2,50m
GLASS THICKNESS	10mm
MAXIMUM GLASS WEIGHT (WITH TWO ROLLERS)	70Kg
FINISHING	
STAINLESS STEEL MIRROR	

FLAT BAR

sliding glass door with 2 rollers and safety fittings 366G.S.13



FLAT BAR the "classic" of the FLAT BAR series. Sliding glass door system with stainless steel accessories, 2 rollers and 2 safety fittings, offering maximum security to your constructions. Ideal for applications with sliding glass doors and showers, in residences, hotels and workplaces.

system accessories

ALL THE TAINLESS STEEL ACCESSORIES IN MIRROR FINISHING

	*	*			*
CODE 366G.01.13	CODE 366G.02.13	CODE 366G.03.13	CODE 366G.04.13	CODE 366G.05.13	CODE 366G.06.13
"FLAT BAR" SUPPORT BAR 30mm X 10mm	"FLAT BAR" SLIDING ROLLER	"FLAT BAR" TRACK HOLDER FITTING FOR FIXED PANEL	"FLAT BAR" SLIDING STOP	"FLAT BAR" SIDE TRACK HOLDER FITTING FOR WALL	"FLAT BAR"ANTILIFT SAFETY FITTING
	* FOR CORNER APPLICATION 4, PAGE 8	* IN STANDARD PRECUT PIECES			
CODE 366G.07.13	CODE 366G.11.13	CODE 1692			
"FLAT BAR" ANGLE CONNECTOR 90°	SIDE END COVER SLIDING SYSTEM "FLAT BAR"	PROFILE BAR U			

door handle

* OR ANY HANDLE/KNOB FROM OUR RANGE*	* ADJUSTABLE FOR 8-10-12mm
CODE 619	CODE 1152
STAINLESS STEEL HANDLE	FLOOR GUIDE FOR GLASS

glass guide

waterproofing

	CODE 1422 ANGLE PVC PROFILE 24mm
	CODE 1413 PVC MAGNETIC PROFILE
	CODE 1435 PVC PROFILE BUBBLE
	CODE 1444.2010.10 CURVED WEATHERPROOFING PROFILE 1M

!Combine
the INAL® "KIT FLAT BAR"
with the "SUPPORT KIT"
and the "WATERPROOFING KIT"

* Requires holes to the glass

FLAT BAR DUO

sliding glass door with 4 rollers 366G.S.DR.13



FLAT BAR DUO, sliding glass door system with 4 stainless steel rollers instead of safety fittings, ensuring absolute ergonomics and functionality in your applications. Ideal for applications with sliding glass doors and showers, in residences and spaces where they require luxurious constructions of high aesthetics.

system accessories

	*	*		
CODE 366G.01.13 "FLAT BAR" SUPPORT BAR 30mm X 10mm	CODE 366G.02.13 "FLAT BAR" SLIDING ROLLER	CODE 366G.03.13 "FLAT BAR" TRACK HOLDER FITTING FOR FIXED PANEL	CODE 366G.04.13 "FLAT BAR" SLIDING STOP	CODE 366G.05.13 "FLAT BAR" SIDE TRACK HOLDER FITTING FOR WALL
	*	*	ALL THE TAINLESS STEEL ACCESSORIES IN MIRROR FINISHING	
CODE 366G.07.13 "FLAT BAR" ANGLE CONNECTOR 90°	CODE 366G.11.13 SIDE END COVER SLIDING SYSTEM "FLAT BAR"	CODE 1692 PROFILE BAR U	waterproofing	
	FOR CORNER APPLICATION 4, PAGE 8	IN STANDARD PRECUT PIECES		CODE 1422 ANGLE PVC PROFILE 24mm
				CODE 1413 PVC MAGNETIC PROFILE
				CODE 1435 PVC PROFILE BUBBLE
				CODE 1444.2010.10 CURVED WEATHERPROOFING PROFILE 1M

door handle

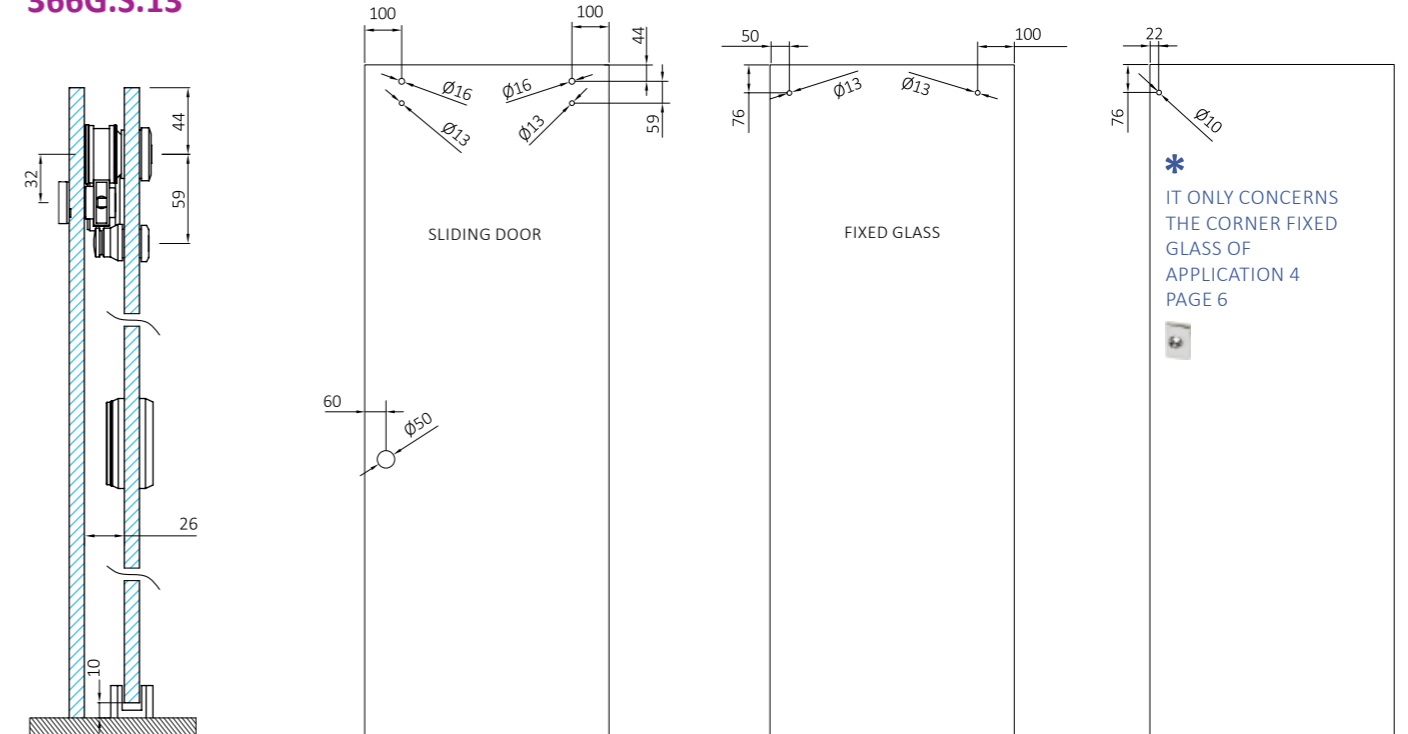
OR ANY HANDLE/KNOB FROM OUR RANGE* *	
CODE 619 STAINLESS STEEL HANDLE	CODE 1152 FLOOR GUIDE FOR GLASS

glass guide

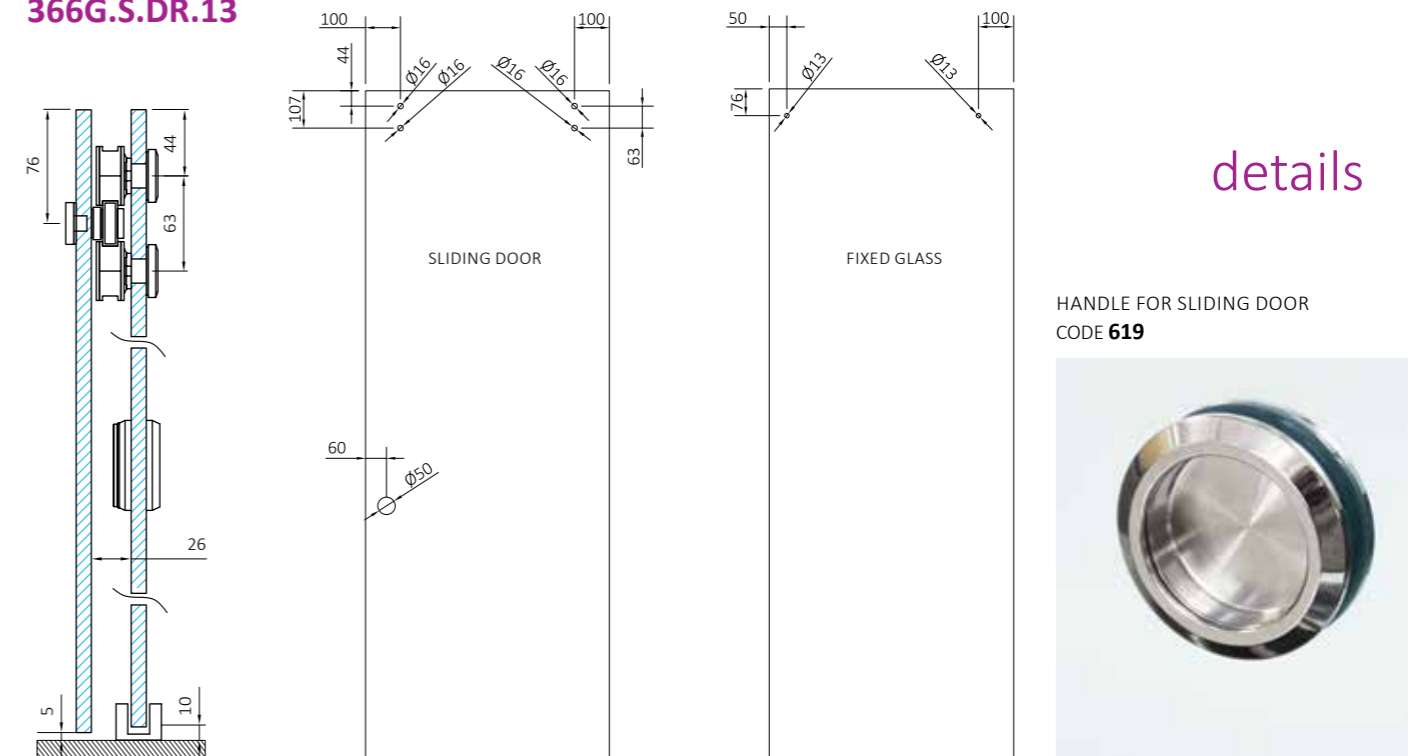
* Requires holes to the glass

glass cuttings- cross section

FLAT BAR 366G.S.13



FLAT BAR DUO 366G.S.DR.13



details

rods for showers with FLAT BAR accessories

system accessories

CODE 366G.01.13	CODE 366G.05.13	CODE 366G.12.13	CODE 366G.13.13
"FLAT BAR" SUPPORT BAR 30mm X 10mm	"FLAT BAR" SIDE TRACK HOLDER FITTING FOR WALL	"FLAT BAR" UPPER GLASS HOLDER	"FLAT BAR" SIDE END COVER

indicated applications



applications DIY Kit

One of our following suggestions can be your solution:

APPLICATION 1

SINGLE SLIDING DOOR
ONE FIXED GLASS PANEL

FLAT BAR
CODE **366G.S.13**

CODE	UNIT	QUANTITY
366G.01.13	m	2
366G.02.13	PIECE	2
366G.03.13	PIECE	2
366G.04.13	PIECE	2
366G.05.13	PIECE	2
366G.06.13	PIECE	2
619.50.13	PIECE	1
1152.13	PIECE	1

APPLICATION 2

DOUBLE SLIDING DOOR
TWO FIXED GLASS PANELS

FLAT BAR
CODE **366G.D.13**

CODE	UNIT	QUANTITY
366G.01.13	m	2
366G.02.13	PIECE	4
366G.03.13	PIECE	2
366G.04.13	PIECE	2
366G.05.13	PIECE	2
366G.06.13	PIECE	4
619.50.13	PIECE	1
1152.13	PIECE	1

APPLICATION 3

CORNER APPLICATION DOUBLE
SLIDING DOOR - TWO FIXED
GLASS PANELS

FLAT BAR
CODE **366G.CD.13**

CODE	UNIT	QUANTITY
366G.01.13	m	2
366G.02.13	PIECE	4
366G.03.13	PIECE	4
366G.04.13	PIECE	4
366G.05.13	PIECE	2
366G.06.13	PIECE	4
366G.07.13	PIECE	1
619.50.13	PIECE	2
1152.13	PIECE	2

APPLICATION 4

CORNER APPLICATION SINGLE
SLIDING DOOR - TWO FIXED
GLASS PANELS

FLAT BAR
CODE **366G.CS.13**

CODE	UNIT	QUANTITY
366G.01.13	m	2
366G.02.13	PIECE	2
366G.03.13	PIECE	4
366G.04.13	PIECE	2
366G.05.13	PIECE	2
366G.06.13	PIECE	2
366G.11.13	PIECE	1
619.50.13	PIECE	1
1152.13	PIECE	1

* IT ONLY CONCERNS THE CORNER FIXED GLASS OF APPLICATION 4

FLAT BAR DUO
CODE **366G.S.DR.13**

CODE	UNIT	QUANTITY
366G.01.13	m	2
366G.02.13	PIECE	4
366G.03.13	PIECE	2
366G.04.13	PIECE	2
366G.05.13	PIECE	2
619.50.13	PIECE	1
1152.13	PIECE	1

FLAT BAR DUO
CODE **366G.D.DR.13**

CODE	UNIT	QUANTITY
366G.01.13	m	2
366G.02.13	PIECE	8
366G.03.13	PIECE	4
366G.04.13	PIECE	4
366G.05.13	PIECE	2
619.50.13	PIECE	2
1152.13	PIECE	2

FLAT BAR DUO
CODE **366G.CD.DR.13**

CODE	UNIT	QUANTITY
366G.01.13	m	2
366G.02.13	PIECE	8
366G.03.13	PIECE	4
366G.04.13	PIECE	4
366G.05.13	PIECE	2
366G.07.13	PIECE	1
619.50.13	PIECE	2
1152.13	PIECE	2

FLAT BAR DUO
CODE **366G.CS.DR.13**

CODE	UNIT	QUANTITY
366G.01.13	m	2
366G.02.13	PIECE	4
366G.03.13	PIECE	2
366G.04.13	PIECE	2
366G.05.13	PIECE	2
366G.11.13	PIECE	1
619.50.13	PIECE	1
1152.13	PIECE	1

+
WATERPROOFING KIT 1
CODE **366G.S.WPR.13**

CODE	UNIT	QUANTITY
1444.2010.10	PIECE 1,00 m	1
1435.10.08.25	PIECE	1
1422.10.24.25	PIECE	1

+
WATERPROOFING KIT 2
CODE **366G.D.WPR.13**

CODE	UNIT	QUANTITY
1444.2010.10	PIECE 1,00m	1
1422.10.24.25	PIECE	2
1413	SET	1

+
WATERPROOFING KIT 3
CODE **366G.CD.WPR.13**

CODE	UNIT	QUANTITY
1444.2010.13	PIECE 1,00 m	1
1422.10.24.25	PIECE	2
1413	SET	1

+
WATERPROOFING KIT 4
CODE **366G.CS.WPR.13**

CODE	UNIT	QUANTITY
1444.2010.13	PIECE 1,00 m	1
1422.10.24.25	PIECE	1
1435.10.08.25	PIECE	1

SUPPORT KIT 1
CODE **366G.S.SUP.13**

CODE	UNIT	QUANTITY
1692.10.13	PIECE 2,50 m	1
1692.10.1M.13	PIECE 1,00 m	1

SUPPORT KIT 2
CODE **366G.D.SUP.13**

CODE	UNIT	QUANTITY
1692.10.13	PIECE 2,50m	2
1692.10.1M.13	PIECE 1,00m	2

SUPPORT KIT 3
CODE **366G.CD.SUP.13**

CODE	UNIT	QUANTITY
1692.10.13	PIECE 2,50 m	2
1692.10.1M.13	PIECE 1,00 m	2

SUPPORT KIT 4
CODE **366G.CS.SUP.13**

CODE	UNIT	QUANTITY
1692.10.13	PIECE 2,50 m	2
1692.10.1M.13	PIECE 1,00 m	2

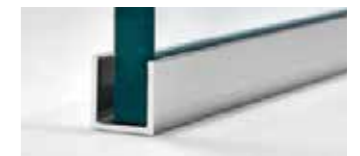
details



FLOOR GUIDE FOR GLASS
CODE **1152**



FLOOR GUIDE FOR GLASS
CODE **1152G**



PROFILE BAR "U" CODE **1692**