

floor mounted glass balustrade rail



INAL® FLOOR MOUNTED glass balustrade base rail solution for balconies. An innovative, patented aluminum rail profile with adjusting alignment for the easiest installation of the glass. A durable and secure glass balustrading application glass thickness from 12,76-21,52mm safety glass up to 1,0m height from the floor level (finished floor) without any vertical supports or connectors.

technical specifications

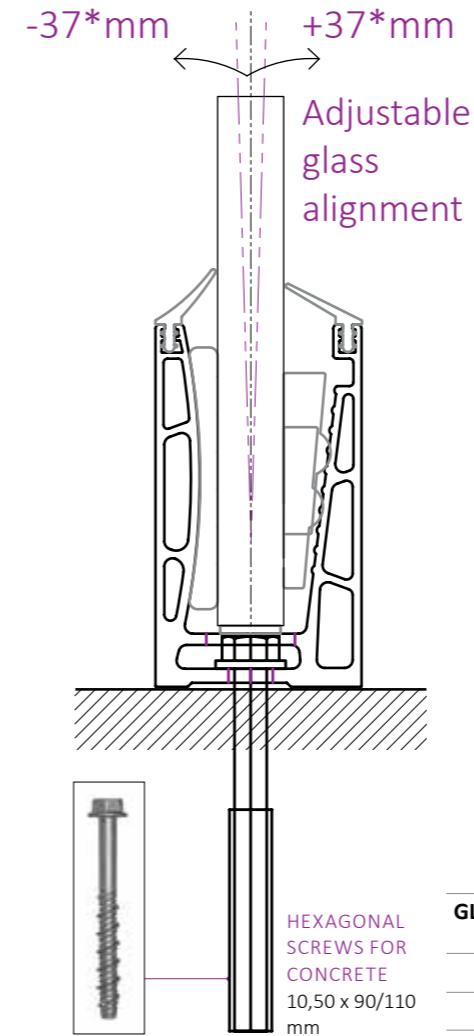
WIDTH	51,20mm	
HEIGHT	90mm	
GLASS THICKNESS	12,76mm - 13,52mm	
	16,76mm - 17,52mm	
	20,76mm - 21,52mm	
LENGTH	6m	
MATERIAL	ALUMINUM	
FINISHING	NATURAL ANODIZED, SATIN ANODIZED, RAL POWDER COATING, INOX MAT	
	WIND LOAD	LINE LOAD
1,00m HEIGHT	6,50 kN/m ²	2,00 kN/m
0,90m HEIGHT	8,10 kN/m ²	2,20 kN/m

! Combine WITH INAL®



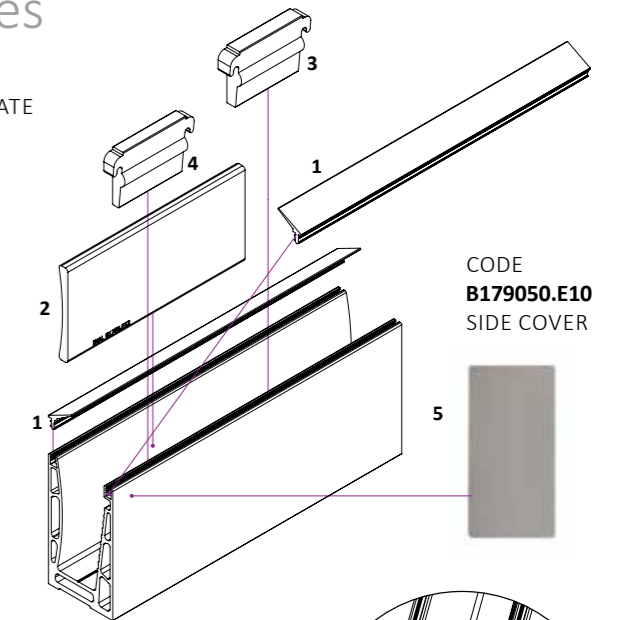
ALWAYS USE SAFETY GLASS.
ALL FIGURES ARE CALCULATED WITH TEMPERED-LAMINATED GLASS.
ALWAYS FOLLOW THE REGULATIONS OF THE GLASS FABRICATORS.

glass alignment

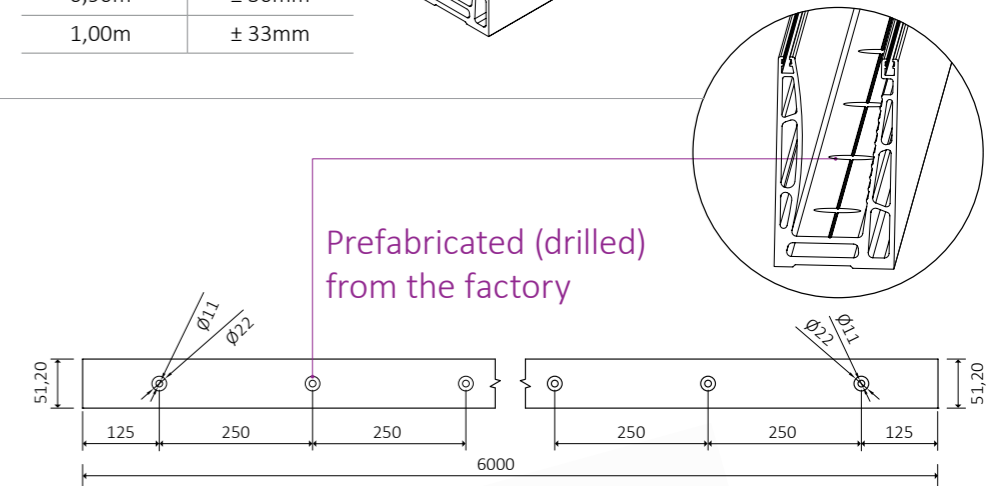
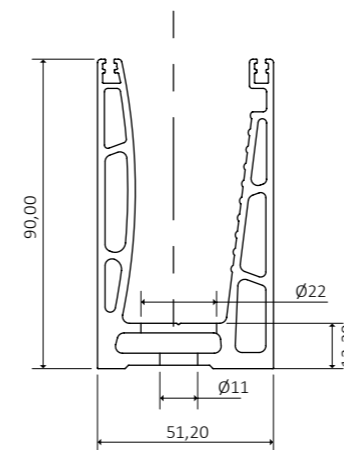


accessories

1. GASKET
2. ADJUSTABILITY PLATE
3. WEDGE A
4. WEDGE B
5. SIDE COVER



cross sections



tools

CODE B1780.E50.D1.31
TOOL EXTRACTOR OF WEDGES FOR CLAMP PROFILES B1712075/ B1710570/B179050/ B1780/B1790/B1785

