

# floor mounted glass balustrade rail



INAL® floor mounted glass balustrade base rail solution for balconies provides a limitless view and unobstructed aesthetic result. Aluminum rail profile for easy and quick installation of the glass. A durable and secure glass balustrading application glass thickness from 16,76-21,52mm safety glass up to 1,10m height from the floor level (finished floor) without any vertical supports or connectors. The ultimate glass balustrade rail system of impeccable quality and uncompromising safety

## technical specifications

WIDTH	70mm
HEIGHT	110mm
GLASS THICKNESS	16,76mm- 17,52mm 20,76mm- 21,52mm
LENGTH	6m
MATERIAL	ALUMINUM
FINISHING	NATURAL ANODIZED, SATIN ANODIZED, RAL POWDER COATING



! Combine with INAL®



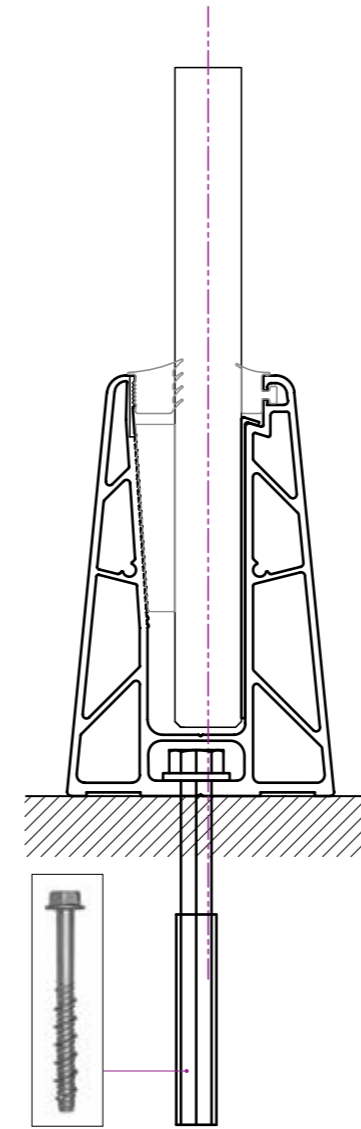
HANDRAIL PROFILE "Q" 5022.25



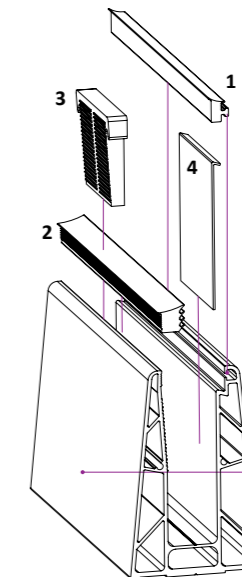
HANDRAIL PROFILE "Π" 5026.25

ALWAYS USE SAFETY GLASS.  
ALL FIGURES ARE CALCULATED WITH TEMPERED-LAMINATED GLASS.  
ALWAYS FOLLOW THE REGULATIONS OF THE GLASS FABRICATORS.

## cross sections



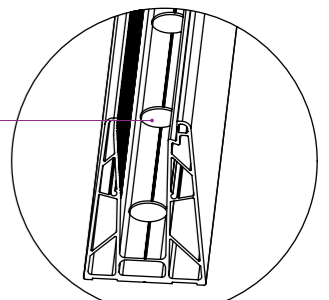
HEXAGONAL SCREWS FOR CONCRETE 10,50 X 90 MM



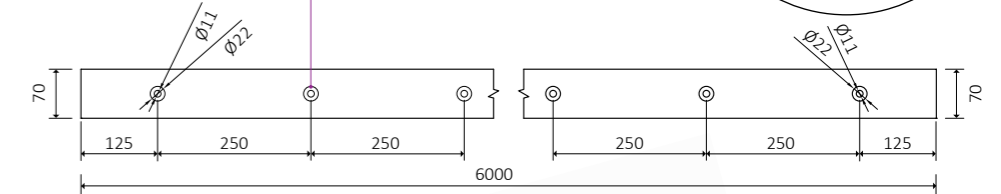
- 1. GASKET
- 2. WEDGE WEATHEPROOFING RUBBER
- 3. PLASTIC WEDGE
- 4. PLASTIC PLATE
- 5. SIDE COVER



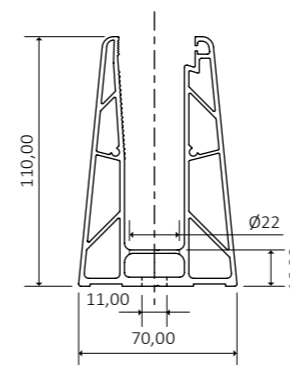
5  
CODE: B1790.E10  
SIDE COVER



Prefabricated (drilled) from the factory



Dimensions mm



## tools

CODE B1780.E50.D1.31  
TOOL EXTRACTOR OF WEDGES FOR CLAMP PROFILES B1712075/ B1710570/B179050/ B1780/B1790/B1785

