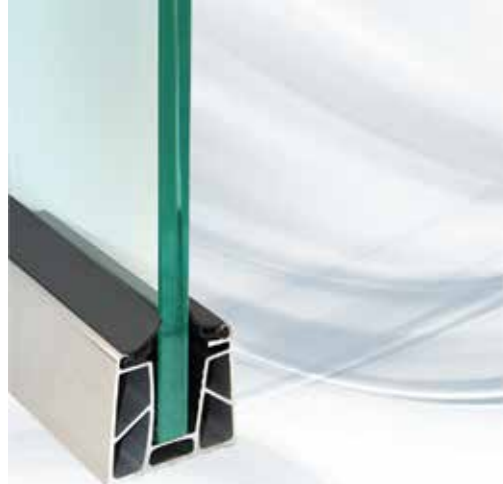


floor mounted glass balustrade rail



INTERMETAL SA PATENT

INAL® FLOOR MOUNTED glass balustrade base rail solution for balconies.

An innovative, patented aluminum rail profile with adjusting alignment for the easiest installation of the glass.

A durable and secure glass balustrading application glass thickness from 12-17,52mm safety glass.

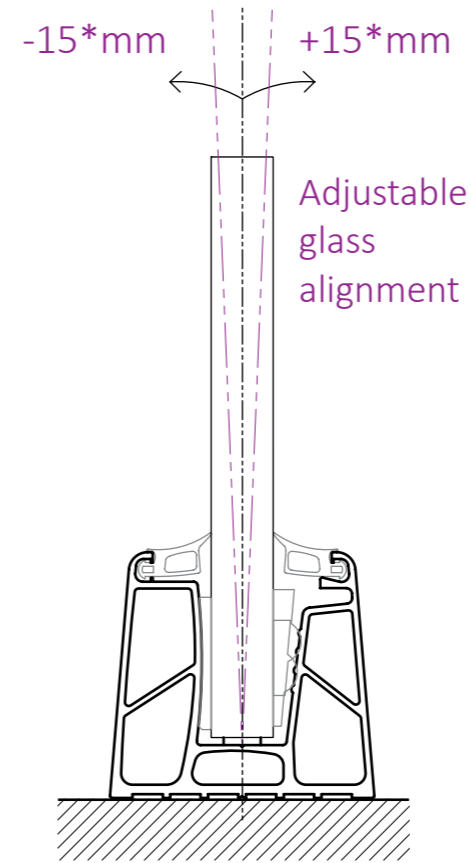
An ideal solution for applications above parapet for maximum glass height 0,70m.

technical specifications

WIDTH	70mm
HEIGHT	65mm
GLASS THICKNESS	12,00mm- 13,52mm 15,00mm- 17,52mm
LENGTH	6m
MATERIAL	ALUMINUM
FINISHING	NATURAL ANODIZED, SATIN ANODIZED, RAL POWDER COATING

ALWAYS USE SAFETY GLASS.
ALL FIGURES ARE CALCULATED WITH TEMPERED-LAMINATED GLASS.
ALWAYS FOLLOW THE REGULATIONS OF THE GLASS FABRICATORS.

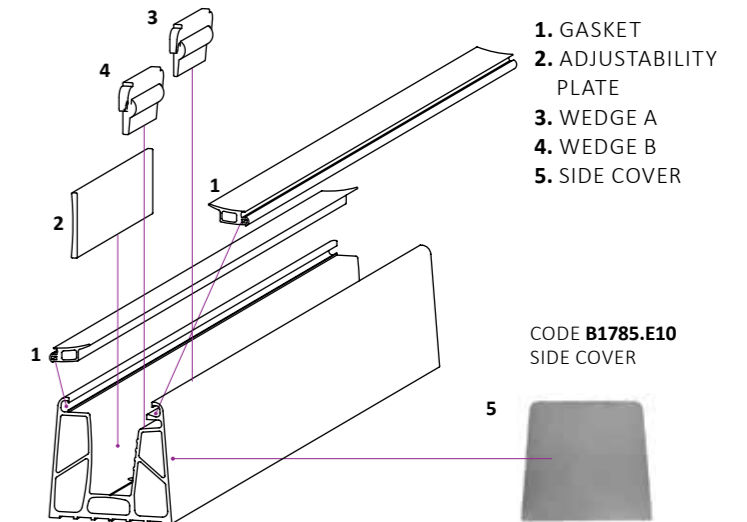
glass alignment



GLASS HEIGHT	ALIGNMENT
0,70m	± 15mm



parts



cross sections

