

■
MLS - MULTISLIDING GLASS SYSTEM
MULTISLIDING GLASS DOOR



- FOR APPLICATIONS IN PERGOLAS, PATIOS, BALCONIES

multisliding glass door system

MLS the INAL® bottom guided sliding system responds to modern architectural requirements for glass enclosures in pergolas, patios and balconies.

Designed for use in residential and commercial applications combining modern aesthetic and long lasting performance.





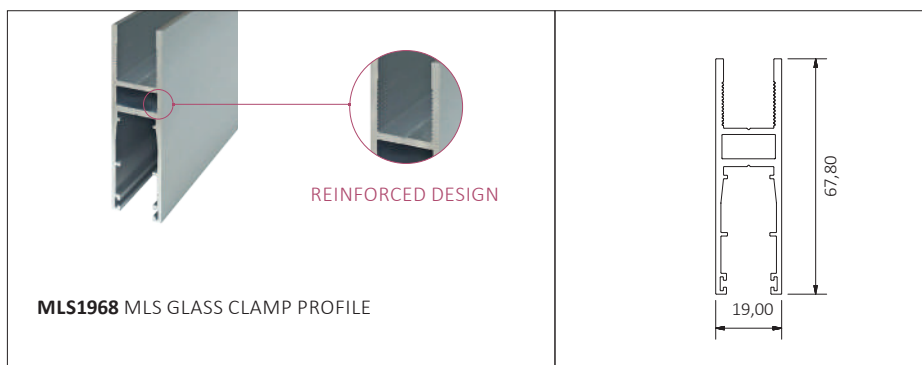
technical specifications

GLASS TYPE	TEMPERED or TEMPERED LAMINATED
GLASS THICKNESS	10-12 mm
PANEL WEIGHT	max 80kg
MAX OPENING HEIGHT	3,00m
FINISHING	NATURAL (SILVER) BRASHED ANODIZED, SATIN ANODIZED, RAL POWDER COATING

profile



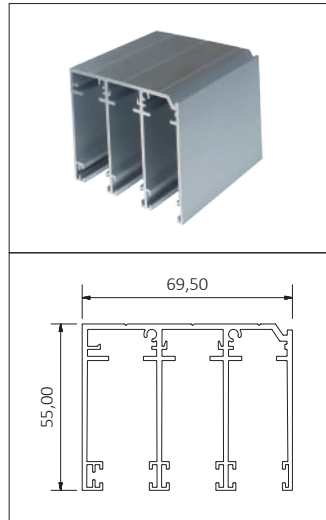
The glass clamp profile in combination with the "U" rubber gasket profiles are securing the glass (thickness: 10mm-12mm) without the use of any glue. It is designed to take the loads, to secure glass, to support the rollers for a smooth and safe sliding performance.



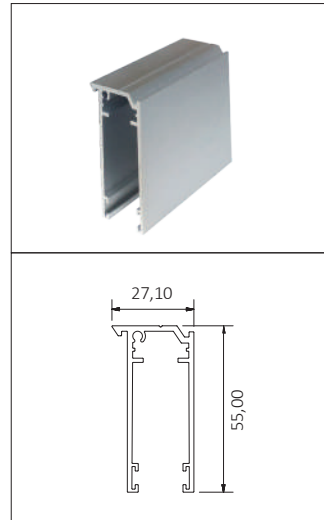
top & bottom track profiles



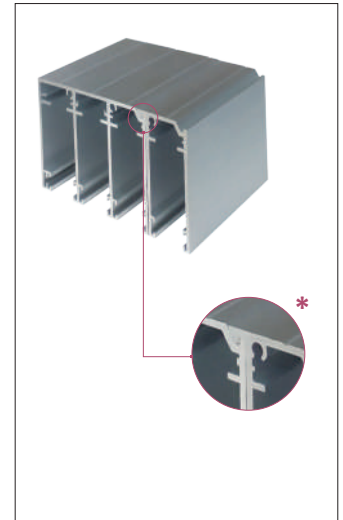
"SMART TRACKS" A combination of top & bottom triple and single track profiles, which are snapping each to the other, allowing to have as many sliding panels as suitable for the best performance and functionality. At the same time it is easy for handling your production having only two different types of profiles



MLS7055 MLS ALUMINUM TOP TRACK TRIPLE GUIDE

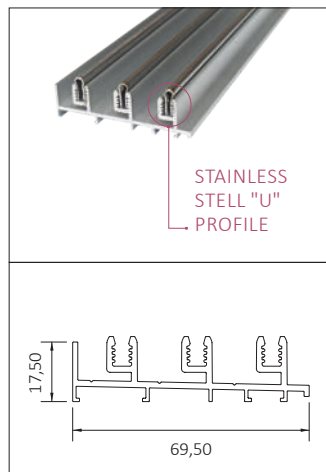
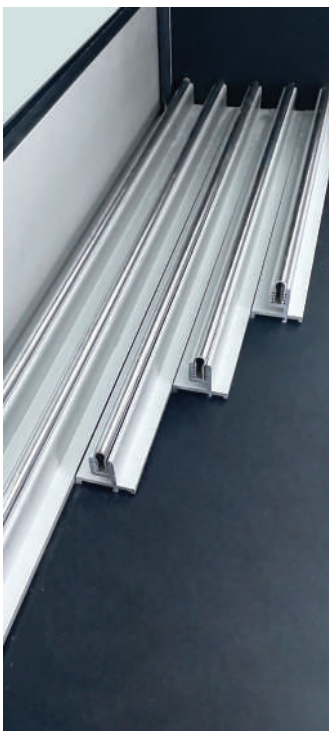


MLS2255 MLS ALUMINUM TOP TRACK SINGLE GUIDE

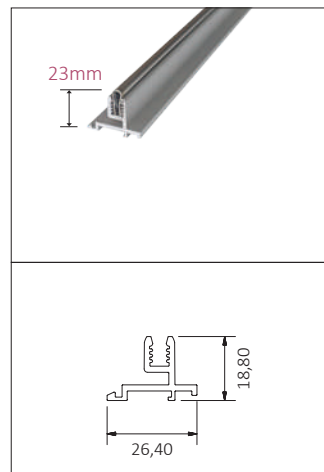


* EASY SNAPPING CONNECTION FOR MULTIPLE PANELS

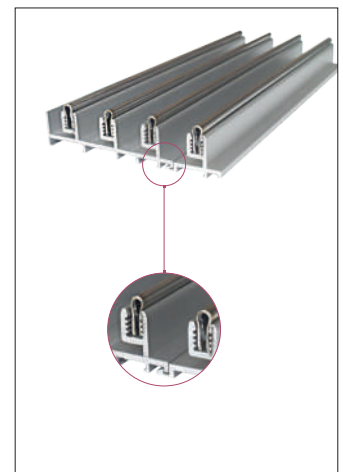
The top track profiles are designed for giving enough adjusting space, securing the glass against the wind load pressures and housing slots for several parts such as stoppers anti-theft preventers etc.



31870 TRIPLE BOTTOM TRACK



11822 SINGLE EXTENSION TRACK



* CONNECTION FOR MULTIPLE PANELS

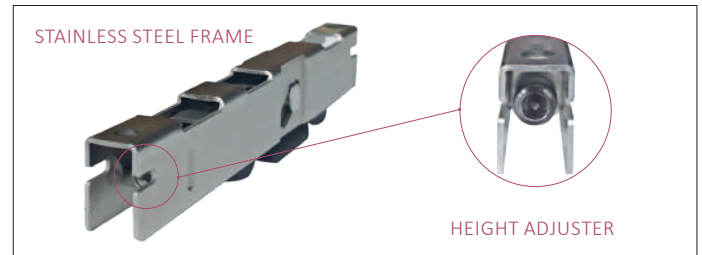
The bottom track profiles protrude only 23 mm from the floor for easy and unobstructed passage. By using inserted stainless "U" profiles we prevent damages in the aluminum and takes the loads for a long lasting easy sliding performance.

rollers

Rollers made from **stainless steel** frame and high strength synthetic wheel for up to 40Kg per roller and 80 kg per panel. Extra supported with a solid aluminum bar fitted inside the glass clamp profile can easily adjust the glass panel alignment.



SOLID ALUMINUM SUPPORTING BAR



STAINLESS STEEL FRAME

HEIGHT ADJUSTER

MLS ROLLER CODE
MLS4012

END CAP HOLDER

end caps- stopper

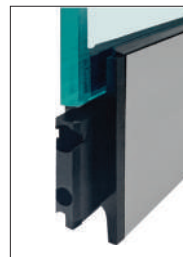
Each sliding panel pulls the next through the durable **stainless steel** dragging end caps which are enganened and carry the motion to the next glass panel. Are secured in a unique way with two screws in order to carry the load. In every sliding panel we use an **anti-theft preventing stopper** and separately a **motion stopper**.



MLS1110.C1.14
DRAGGING DOUBLE
END CAP



MLS1112.C1.14
END CAP



MLS1119.PL
PLASTIC END CAP FOR
PVC PROOFING PROFILE



MLS1120L.PL & MLS1120R.PL
PLASTIC END CAP 45°
(FOR APPLICATION 90° CORNER)



MLS1170-C
BOTTOM GUIDE
MOTION STOPPER



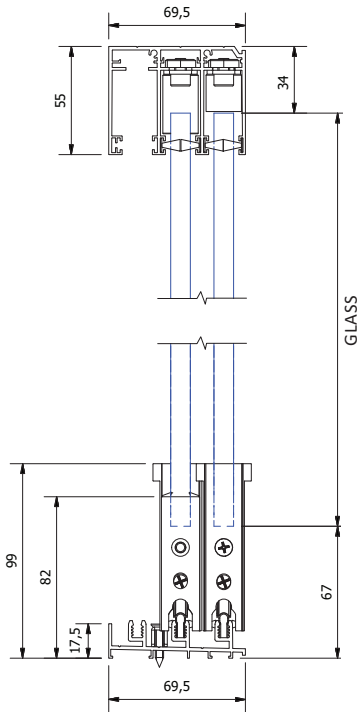
MLS1170-A
ANTI-THEFT
PREVENTING STOPPER



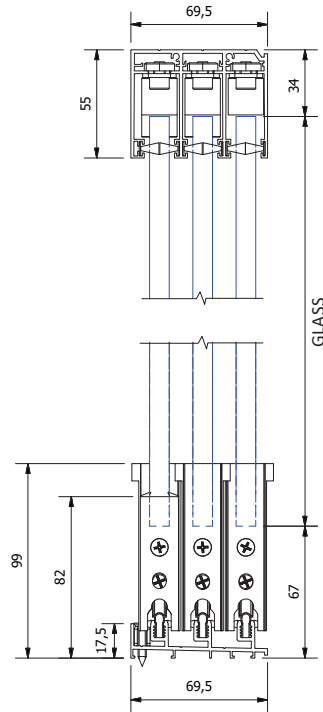
MLS1170-B
TOP GUIDE MOTION
STOPPER

typologies & examples

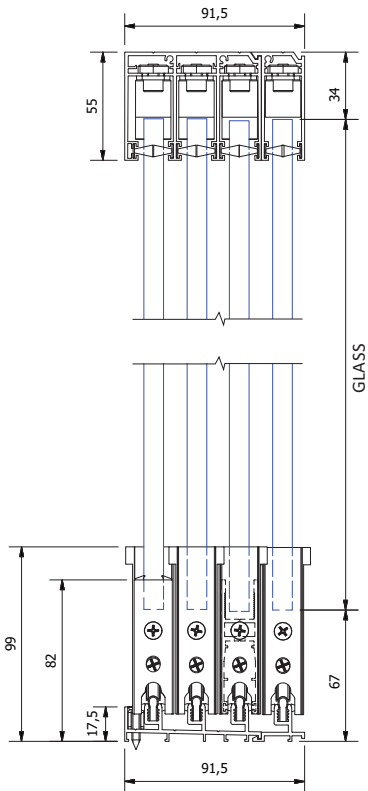
2 PANELS SYSTEM



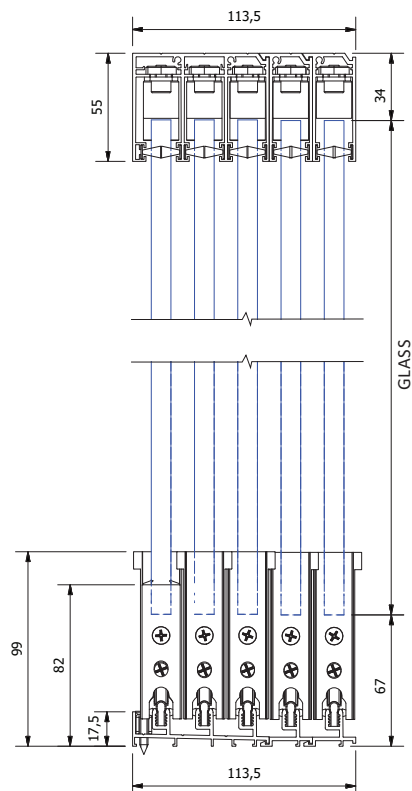
3 PANELS SYSTEM



4 PANELS SYSTEM



5 PANELS SYSTEM



proofing



CODE **701**
BRUSH IN
ALUMINUM BAR

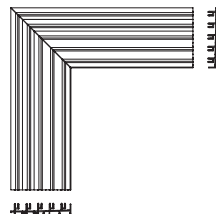
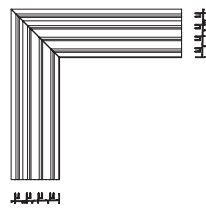
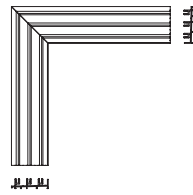
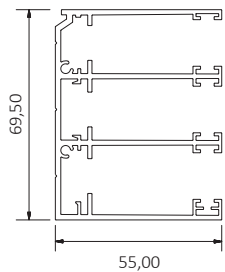


CODE **752**
CORNER PROOFING
PROFILE +MLS RUBBER



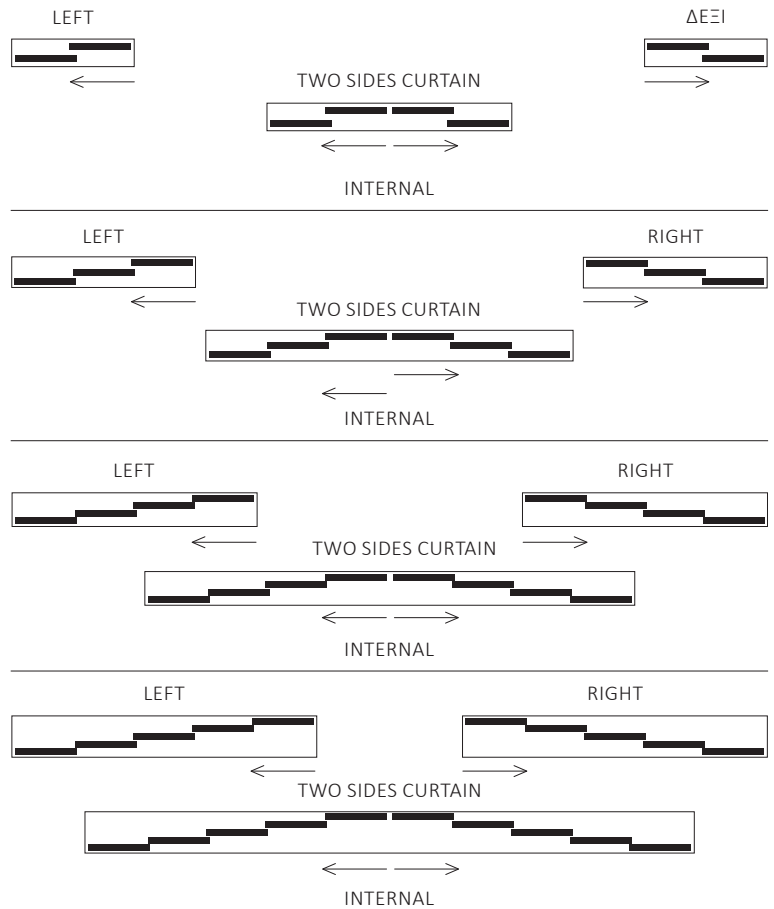
CODE **1422.10.12.30**
ANGLE PROOFING
PROFILE

USE OF THE TOP TRACK
AS A VERTICAL CASE



TYPLOGIES ARE INDICATIVE OF THE SYSTEMS CAPABILITIES AND CAN BE CUSTOMIZED ACCORDING TO CUSTOMER NEEDS.

typologies & applications



lock types

END SIDE LOCKING



DOOR & FEMALE GLASS LOCK
FOR SLIDING DOOR CODES
227 & 228

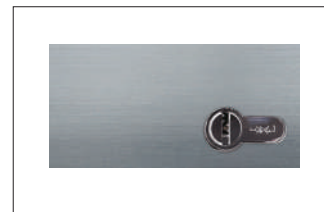
door handles



STAINLESS STEEL ROUND
HANDLE MIRROR
CODE **619**

FLOOR LOCKING

INSIDE



OUTSIDE



DOUBLE CYLINDER



THE LOCK IS PLACED ON THE OUTSIDE. AN ADDITIONAL SPACE OF 20MM IS REQUIRED TO INSTALL THE LOCK CASING

MLS - MULTISLIDING GLASS SYSTEM

MULTISLIDING GLASS DOOR

INAL
MLS - MULTISLIDING GLASS SYSTEM
MULTISLIDING GLASS DOOR



• FOR APPLICATIONS IN PERGOLAS/PATIO, BALCONES

INnovationAL Solutions

INAL
SLIDING GLASS DOORS
FOR SHOWERS



• FLAT BAR, FLAT BAR DOG, FLAT BAR HOOK
• FOLD SLIDING GLASS DOOR
• WIDE SLIDING DOOR DOGS & RAIL
• SLIDING SHOWER SYSTEM

INnovationAL Solutions

INAL
SWING SOLUTIONS & APPLICATIONS



• "CURVED" PROFILE 120mm
• "STEREO" PROFILE 200mm

INnovationAL Solutions

INAL
AUTOMATIC GLASS DOOR



ETERNA 90 EASY
• AUTOMATIC SLIDING DOOR WITH ALUMINUM FRAME
• AUTOMATIC SLIDING DOOR WITH MINI PROFILE
• ROLLER
ETERNA 150 EASY
• AUTOMATIC SLIDING DOOR WITH TOP & BOTTOM CLAMP PROFILE "STEREO" 100mm

INnovationAL Solutions

INAL
ALUMINUM (CASE) PROFILE
FOR INTERNAL DOORS & PARTITIONS



"Élégance"

• ALUMINUM CASE PROFILE FOR GLASS DOOR APPLICATIONS
• ALUMINUM PROFILE FOR GLASS PARTITION APPLICATIONS
• ALUMINUM CASE PROFILE FOR WOODEN DOOR APPLICATIONS

INnovationAL Solutions

INAL
ALUMINUM CASE PROFILE
FOR INTERNAL DOORS & PARTITIONS



"Flexi"

• ALUMINUM CASE FOR GLASS DOORS
• ALUMINUM PROFILE FOR INTERNAL GLASS PARTITIONS

INnovationAL Solutions

INAL
ALUMINUM CASE
FOR GLASS DOORS



"Simply"

• ALUMINUM CASE FOR GLASS DOORS
• ALUMINUM PROFILE FOR INTERNAL GLASS PARTITIONS

INnovationAL Solutions

INAL
ALUMINUM PROFILE
FOR FIXED GLASS PARTITIONS



"Cubo"

• ALUMINUM PROFILE FOR FIXED GLASS

INnovationAL Solutions

INAL
FLEXIBLE GLASS DOORS



INnovationAL Solutions

INAL
HYDRAULIC HINGE CLOSER
NOSCAVO HHC



Absolute Door Closing Control

• WITHOUT FLOOR COVING
• NO MORE FLOOR DAMAGES
• EASY RELOCATION OF THE DOOR

INnovationAL Solutions

INAL
GLASS ACCESSORIES



INnovationAL Solutions

INnovationAL Solutions