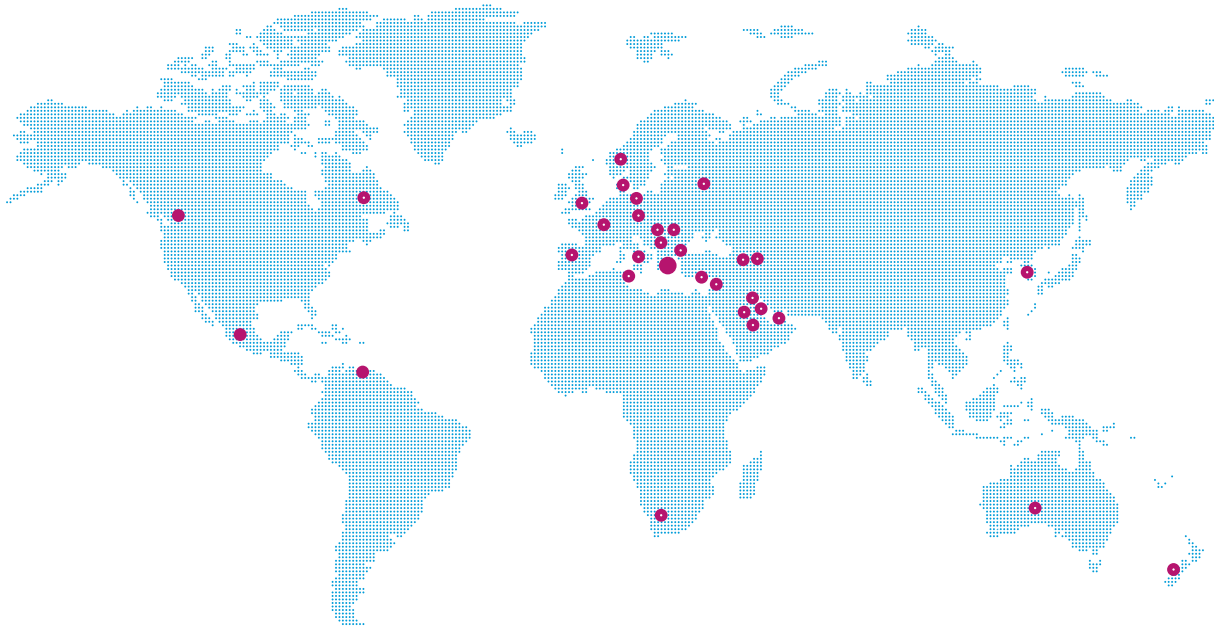


■  
GLASS ACCESSORIES







INTERMETAL S.A. established in 1990, is a modern, innovative industry specialising in designing & producing accessories and systems for architectural glass.

Its two industrial factories, operated at its headquarters in Koropi, Athens, covering an area of 12.000m<sup>2</sup> manufacture a wide range of high quality products under the brand names INAL<sup>®</sup> and NOSCAVO<sup>®</sup>, providing solutions to architectural glass constructions.

As your partners in Glass Applications, we provide you with the following systems & accessories:

- The Patented Innovative Hydraulic Hinge glass door Closer NOSCAVO<sup>®</sup>.
- Systems for Folding and Parking [Stacking] movable glass walls, components for internal glass Partitions and movable soundproof Partition walls.
- Sliding, Swing and Revolving manually or electrically operated glass doors systems and door Control applications.
- Systems and Components for glass Balustrades, such as rail profiles, glass clamps, handrails, clips etc.
- Glass door Accessories such as hinges, locks, handles and components for shower cabin applications.
- Stainless steel Accessories [PLANISPHERE<sup>®</sup> & MINOX<sup>®</sup>] for glass Facades, Canopies & Balustrades.
- Custom designed Metal accessories for glass applications.

The company applies a management system in Designing, Producing and Sales Building Industrial Equipment, Metallic Accessories and Systems for Glass Doors and Glass Panels. It has been certified with ISO 9001:2015 by TÜV NORD CERT and INAL<sup>®</sup> products comply with the regulations and certifications.

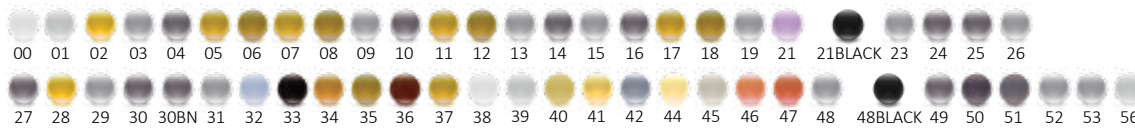
# how to order

0000.000.00

PRODUCT NUMBER.DIMENSION.FINISHING

Dimensions are used for a limited range of products, such as handles. Wherever there is no dimension the product number is followed by the finishing code.

## finishing



### ALUMINUM

- 00 ALUMINUM MILLFINISH
- 01 NATURAL ANODISED
- 02 GOLD ANODISED
- 03 MIRROR CHROMED
- 04 SATIN CHROMED
- 05 GOLD MIRROR CHROMED
- 06 GOLD SATIN CHROMED
- 21 POWDER COATED, RAL
- 25 SATIN ANODIZED
- 33 BLACK ANODIZED
- 36 BRAUN ANODIZED
- 39 NATURAL POLISHED ANODIZED
- 42 GLOSSY ANODIZED  
ELECTROPOLISHED
- 44 CHAMPAGNE ANODIZED
- 45 ANODIZED UPON REQUEST
- 48 INOX MIRROR ANODIZED
- 49 INOX MAT ANODIZED
- 50 KELTA DARK ANODIZED
- 51 KELTA LIGHT ANODIZED
- 52 INOX BRUSHED ANODIZED
- 53 TEKTONIAN LIGHT ANODIZED
- 56 NATURAL SATIN BRUSHED  
ANODIZED

### STAINLESS STEEL

- 37 GOLD PLATED
- 46 COPPER POLISHED
- 47 COPPER SATIN
- Solid**
- 13 POLISHED
- 14 SATIN
- Casted**
- 23 POLISHED
- 24 SATIN
- 41 ORO MAT
- BRASS**
- Solid**
- 07 POLISHED
- 08 SATIN
- 09 MIRROR CHROMED
- 10 SATIN CHROMED
- 11 GOLD MIRROR CHROMED
- 12 GOLD SATIN CHROMED
- 34 POWDER COATED, RAL
- Casted**
- 29 MIRROR CHROMED
- 30 SATIN CHROMED
- 30BN BRUSHED NICKEL
- 35 GOLD CHROMED

### ZINC ALLOY (ZAMAK)

- 15 MIRROR CHROMED
- 16 SATIN CHROMED
- 17 GOLD MIRROR CHROMED
- 18 GOLD SATIN CHROMED
- 19 NICKEL
- 38 MILL FINISH

### IRON

- 26 NICKEL POLISHED
- 27 NICKEL MAT
- 28 NICKEL GOLD
- 31 GALVANIZED
- 32 POWDER COATED, RAL

### SPECIAL ORDER

- 40 ANTIQUE

### GENERAL

- 21BLACK POWDER COATED  
BLACK MATT
- 48BLACK ELC BLACK MATT

## symbols

 GLASS THICKNESS  PRODUCT WEIGHT

! VL 155C Chameleon  
• page 28



# index



## hinges

<b>101</b>	<b>102, 102G</b>	<b>103</b>	<b>141</b>	<b>142</b>	<b>117</b>	<b>118</b>	<b>104, 114</b>	<b>144, 134</b>	<b>105 [ΑΛΟΥΜ.]</b>
page 14	page 14	page 14	page 15	page 15	page 15	page 15	page 16	page 16	page 16
<b>105G</b>	<b>105L</b>	<b>154</b>	<b>155</b>	<b>2100</b>	<b>2105</b>	<b>PR200-24</b>	<b>122</b>	<b>183</b>	<b>123</b>
page 16	page 16	page 17	page 17	page 17	page 17	page 17	page 18	page 18	page 18
<b>181 Brass.</b>	<b>181 ZincAlloy</b>	<b>187</b>	<b>182</b>	<b>182 ZincAlloy</b>	<b>184</b>	<b>185</b>	<b>189</b>	<b>190</b>	<b>192</b>
page 18	page 18	page 19	page 19	page 19	page 19	page 20	page 20	page 20	page 20
<b>175.15LP</b>	<b>176</b>	<b>177.15LP</b>	<b>170</b>	<b>170.BB</b>	<b>170.30.BB</b>	<b>170V.BB</b>	<b>171</b>	<b>171S</b>	<b>179</b>
page 21	page 21	page 21	page 22	page 22	page 22	page 22	page 23	page 23	page 23
<b>173</b>	<b>173V</b>	<b>W100</b>	<b>152HD</b>	<b>152</b>					
page 23	page 24	page 24	page 24	page 24					



# locks

<b>201SC AL.</b>	<b>202 ALUM.</b>	<b>201 ST.STEEL</b>	<b>202 ST.STEEL</b>	<b>207</b>	<b>208</b>	<b>206</b>	<b>VL155 SERIES</b>	<b>211</b>	<b>212</b>
page 26	page 26	page 26	page 26	page 27	page 27	page 27	page 28	page 30	page 30
<b>230 + 230.00</b>	<b>231</b>	<b>210</b>	<b>247G</b>	<b>247</b>	<b>248</b>	<b>243G</b>	<b>244</b>	<b>243</b>	<b>280WC</b>
page 30	page 30	page 31	page 31	page 31	page 31	page 32	page 32	page 32	page 32
<b>280</b>	<b>281</b>	<b>284</b>	<b>285</b>	<b>227</b>	<b>228</b>	<b>2101</b>	<b>2102</b>	<b>2106</b>	<b>111</b>
page 33	page 33	page 33	page 33	page 34	page 34	page 34	page 34	page 34	page 34
<b>113</b>	<b>109</b>	<b>261</b>	<b>262</b>	<b>263</b>	<b>264</b>	<b>265</b>	<b>266</b>	<b>267</b>	<b>268</b>
page 34	page 34	page 35	page 35	page 35	page 35	page 35	page 35	page 35	page 35



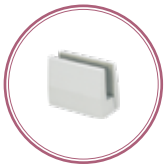
# bolts

<b>900</b>	<b>901</b>	<b>910</b>	<b>910C</b>	<b>903G</b>	<b>903</b>	<b>904</b>	<b>908</b>	<b>909</b>
page 37	page 37	page 37	page 37	page 38	page 38	page 38	page 38	page 38



## electric locks

									
VL155G + E.S.	254 L/R	273 L/R	270 L/R	272 L/R	256 L/R	250	252	1581	290.J
page 40	page 40	page 40	page 41	page 41	page 41	page 41	page 41	page 42	page 42
934	924	295	297	298	9334VGL	294E	296E	258	259
									
299E	1700	291A	291B	291C	292	293	291MH	291MHW1	291MHW1
page 42	page 42	page 42	page 42	page 42	page 42	page 43	page 43	page 43	page 43
page 43	page 43	page 43	page 43	page 43	page 43	page 43	page 43	page 43	page 43



## clips

									
401	402	850 ALUM.	850 S.STEEL	460	461	463	464	414	415
page 46	page 46	page 46	page 46	page 47	page 47	page 47	page 47	page 48	page 48
									
471	472	474	412	413	403	410 Z. ALLOY	411 Z. ALLOY	410 S.STEEL	411 S.STEEL
page 48	page 48	page 49	page 49	page 49	page 49	page 50	page 50	page 50	page 50
									
1620.414045.14	2103								
page 51	page 51								





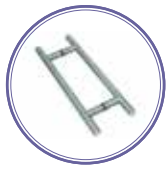
## support & spacers

									
801	802	803	806	821	829	840	842	843	804.35/40
page 54	page 54	page 54	page 54	page 54	page 54	page 54	page 54	page 54	page 54
									
810	811	812	816	817	818LP.08 +.10	819LP.08 +.10	890	831	832
page 55	page 55	page 55	page 55	page 55	page 55	page 55	page 55	page 55	page 55
									
880	881	1656	310-08/32	882	883	884 SERIES	885.45		
page 56	page 56	page 56	page 56	page 56	page 56	page 57	page 57		



## handles

									
601	602	605	606	624	610	619	619.50SQ	604.40	604.50
page 60	page 60	page 60	page 60	page 60	page 60	page 60	page 60	page 60	page 60
									
604.75	627.38	623.30	628.30	628.30AD	622.30	629.32	612.50	639.25	
page 61	page 61	page 61	page 61	page 61	page 61	page 61	page 61	page 61	



# handles

640



| page 62

631



| page 62

644



| page 62

646



| page 62

644.2545.13



| page 62

651.45/28.13



| page 62

651.45/25.13



| page 63

651.45/25.13



| page 63

643.2550.13



| page 63

642



| page 63

643



| page 63

643.1920



| page 63



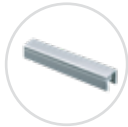
# proofing

701



| page 65

752



| page 65

751



| page 65

703



| page 65

1400/1440



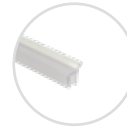
| page 65

1401



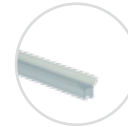
| page 65

1403



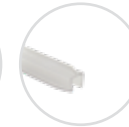
| page 65

1421



| page 66

1402/1404



| page 66

1444.2010.10



| page 66

1413/1423



| page 65

1442/1438



| page 66

1409



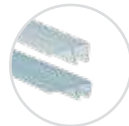
| page 67

1415/1441



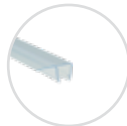
| page 67

1422



| page 67

1422



| page 67

1446.10.30



| page 67

1405/1445



| page 68

1435



| page 68

1406.10.30



| page 68

1412/1443



| page 68



## bracket- pivot

1003



| page 70

1004



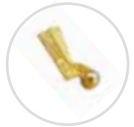
| page 70

1005 1006



| page 70

1007



| page 70

FRP75-17



| page 70

FN200-17



| page 70

PR100-17



| page 70

PR200-17



| page 70

1220



| page 71

1120



| page 71

1130



| page 71

1130.HD



| page 71

1230



| page 71

1230.HD



| page 71



## cylinders

2200.19



| page 72

2201.19



| page 72

2202.19



| page 72

2203.19



| page 72

2204.19



| page 72

2207.19



| page 72

2209.19



| page 72

2227.19



| page 72

SUP08373



| page 72

SUP08371

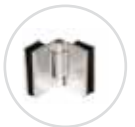


| page 72



## shower supports...

AQUAFOLD - 172G - 172W - 625.38 - 1427.6/8.17.22 - 1435.6/8.07.22-1428.6/8.12.22



| page 74



| page 74



| page 74



| page 74



| page 74



| page 74

1709



| page 75

1713.S



| page 75

1714.S



| page 75

1711



| page 75

1712.VER2020



| page 75

1715



| page 75

196.GW140220



| page 75

196.GG140220



| page 75

197



| page 76

198



| page 76

199



| page 76

366G.01.13



| page 76

366G.05.13



| page 76

366G.12.13



| page 76



## ...shower supports

366G.13.13 341.160.13 ANGF1001.13 1692 S.STEEL. 1692 ALUM.



| page 76



| page 77



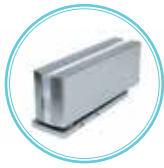
| page 77



| page 77



| page 77



## floor springs

NS100



| page 79

2006



| page 80

2020



| page 80

2040



| page 80

2028



| page 80

2025



| page 81

2043



| page 81

2045



| page 81

2071 + 2071G



| page 81



## various

1505



| page 82

1733



| page 2

1718



| page 82

DECO



| page 83

1300



| page 83

1302.VER2020



| page 83

1729



| page 83

1627



| page 83

1738



| page 83

804.35/40



| page 83



## black series

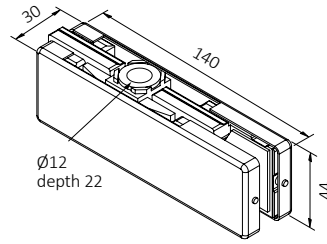
| page 85-90



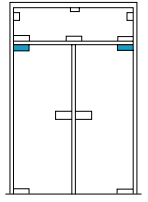
# hinges

HINGES

**101**



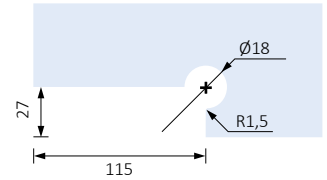
max dimensions  
1,10m x 2,20m



Upper hinge

10mm 339 gr

Cover finishing .01 .02 .07 .08 .13 .14 .21 .21BLACK .25



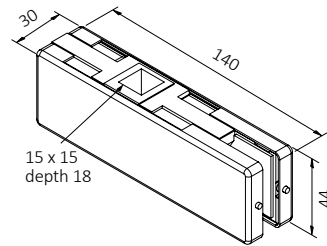
**102**



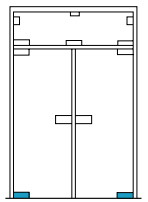
ITALIAN SPINDLE



**102C** SPINDLE FOR CODE 2028  
[SPEEDY M68 FLOOR SPRING]



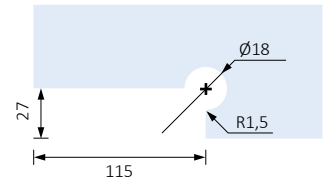
max dimensions  
1,10m x 2,20m



Lower hinge

10mm 328 gr

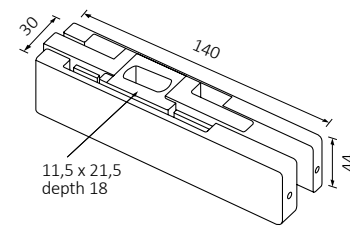
Cover finishing .01 .02 .07 .08 .13 .14 .21 .21BLACK .25



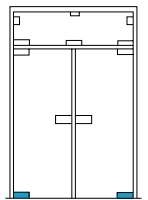
**102G.01**



GERMAN SPINDLE  
(FLAT CONE)



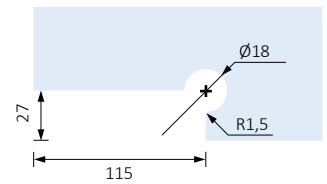
max dimensions  
1,10m x 2,20m



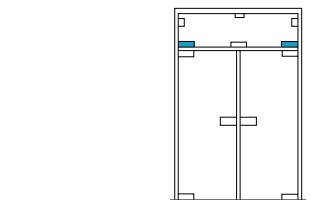
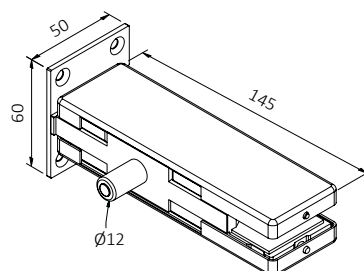
Lower hinge for flat cone spindle

10mm 328 gr

Cover finishing .01 .02 .07 .08 .13 .14 .21 .25



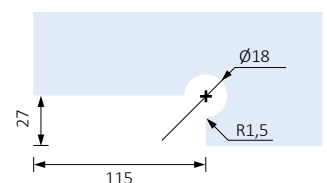
**103**



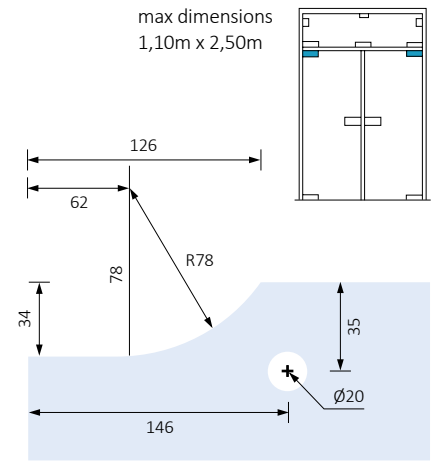
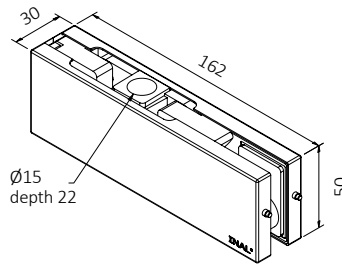
Wall Glass Support with pivot

10mm, 353 gr

Cover finishing .01 .02 .07 .08 .13 .14 .21 .21BLACK .25



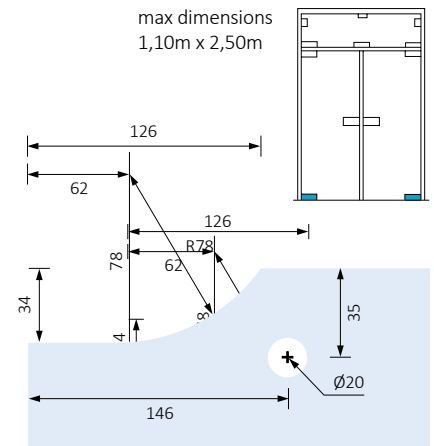
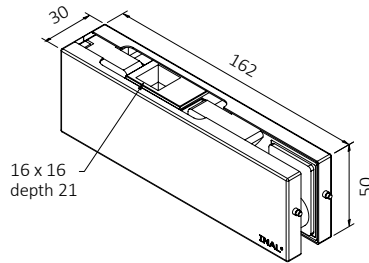
# 141



Upper hinge

10- 12mm 558 gr | Cover finishing .13 .14

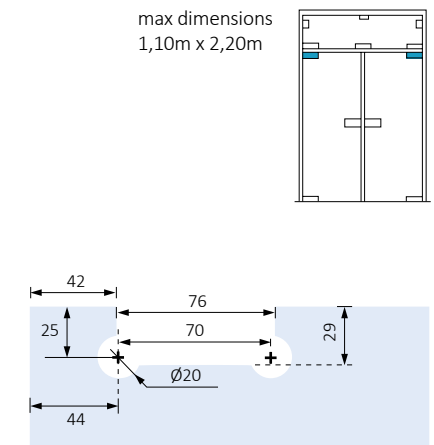
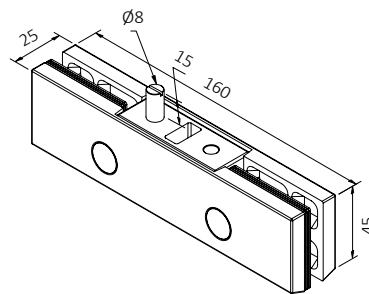
# 142



Lower hinge

10-12mm 618 gr | Cover finishing .13 .14

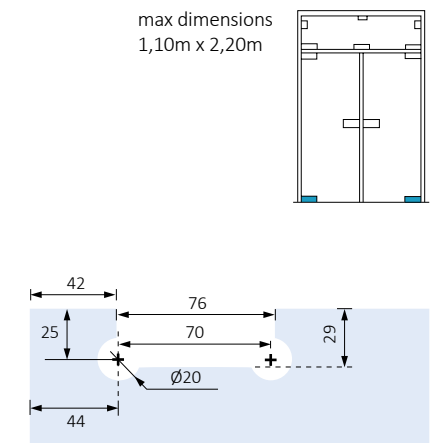
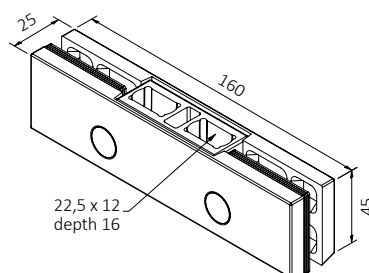
# 117



Upper hinge S.G. (FRENCH TYPE)

10mm 672 gr | Finishing .19

# 118



Lower hinge S.G. (FRENCH TYPE)

10mm 613 gr | Finishing .19

Dimensions mm

HINGES

**104 [RIGHT]**

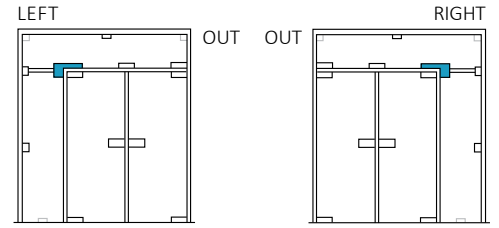
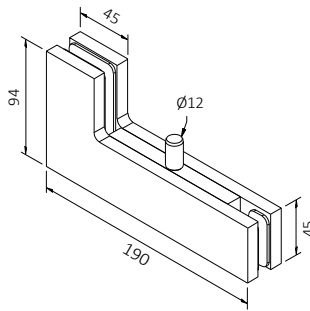
**114 [LEFT]**



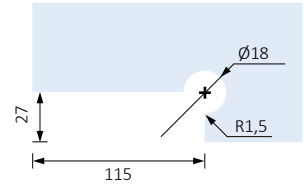
Angle Pivot Support Left/Right

10/20mm\* 709 gr | Finishing .13 .14 .21BLACK

COMBINE WITH INAL®  
COVERS 2105



SUITABLE FOR  
HINGE **101**  
\* For 20mm Glass,  
upon request



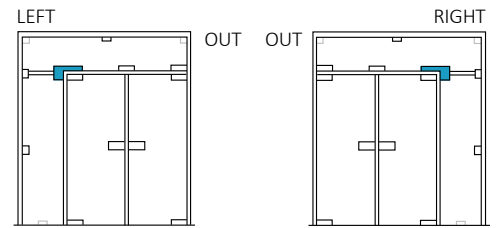
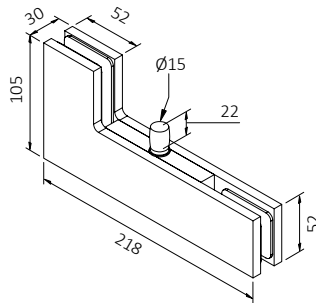
**134 [RIGHT]**

**144 [LEFT]**

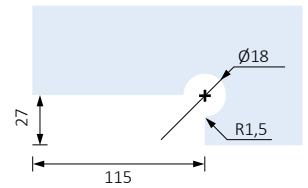


Angle Pivot Support Left/ Right

10mm 2188 gr | Finishing .13 .14 .21BLACK



SUITABLE FOR  
HINGE **141**

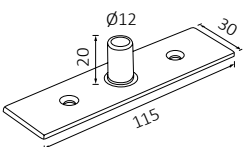


## top pivot for hinges

**105**



SUITABLE FOR HINGE **101**



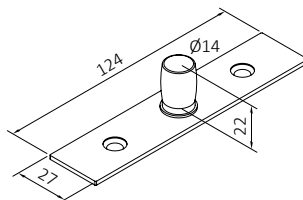
Rectangular top pivot

41 gr | Finishing .01 .02 .07 .08 .13 .14 .21 .21BLACK .25

**105G**



SUITABLE FOR HINGE **141**



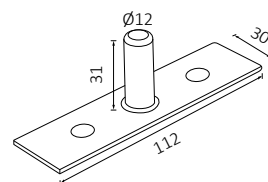
Rectangular top pivot

77 gr | Finishing .13 .14

**105L**



SUITABLE FOR SWING DOOR RAILS

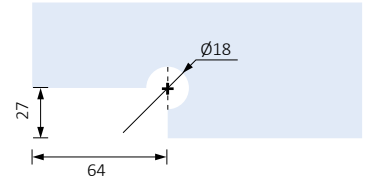
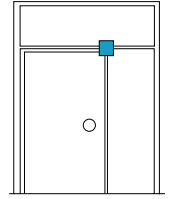
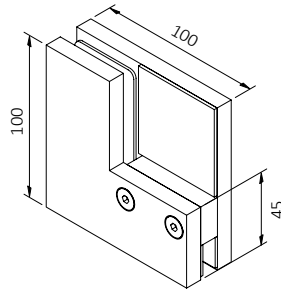


Rectangular top pivot LONG

88 gr | Finishing .13 .14 .21BLACK



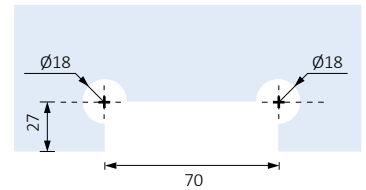
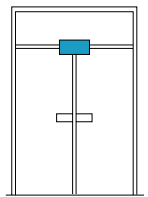
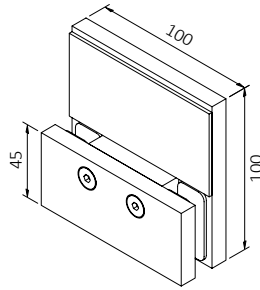
## 154



Angle Pivot Mini with Stop

10- 12mm 520 gr | Finishing .01 .02 .21 .25

## 155

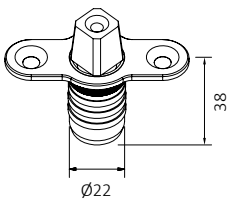


Double Swing Door Stopper

10-12mm, 450 gr | Finishing .01 .02 .21 .25

## floor busing

### PR200-24



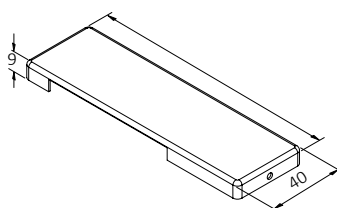
COMBINE WITH 102 & 142

Floor Busing, Stainless Steel

152 gr

## covers for hinges

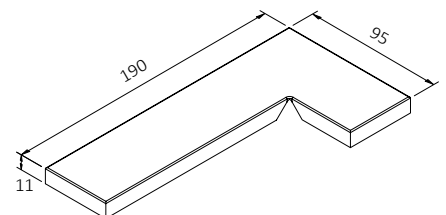
### 2100



Hinge Cover [for 101- 102- 103]

20-60 gr | Finishing .01 .02 .07 .08 .13 .14 .21 .21BLACK.25

### 2105 \*

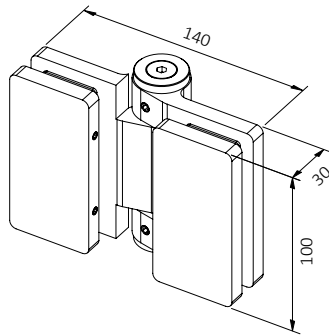


Angle Cover [for 104]\*

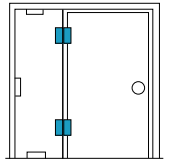
128 gr | Finishing .07 .08 .13 .14 .21 .21BLACK .25

HINGES

**152 HD**

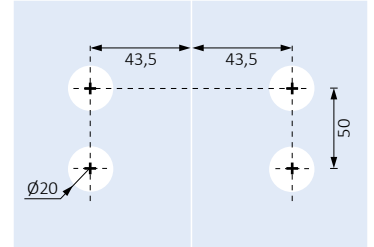


max dimensions  
1,00m x 2,50m  
max weight 125kg

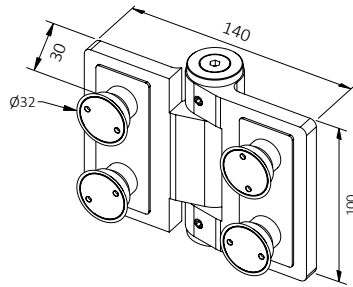


Heavy Duty Glass to Glass Hinge G-G

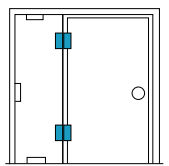
10-16mm, 1083 gr | Finishing .01 .02 .21 .25



**152.SQ**

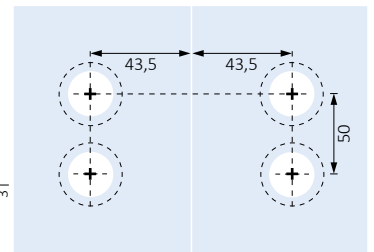
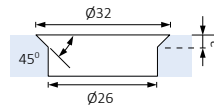


max dimensions  
1,00m x 2,50m  
max weight 125kg

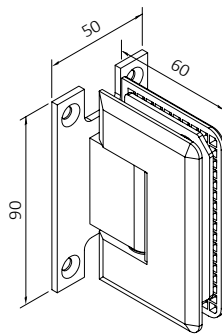


Squash Hinge G-G

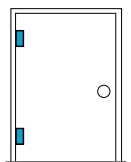
10-16mm, 797 gr | Finishing .01 .02 .21 .25



**181 [BRASS] NEW FINISHING**

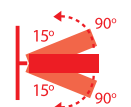
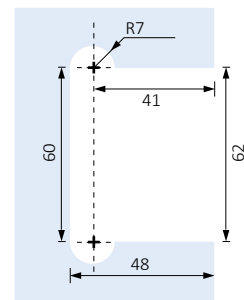


max dimensions  
0,80m x 2,20m  
max weight 44kg

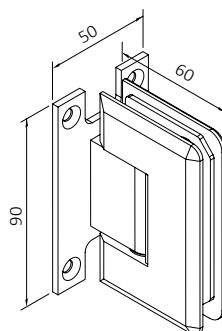


Hinge with Stop G-T

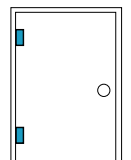
8-10mm, 473 gr | Finishing .09 .10 .11 .21 .29 .30BN .48BLACK



**181 [ZINC ALLOY]**

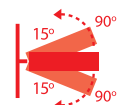
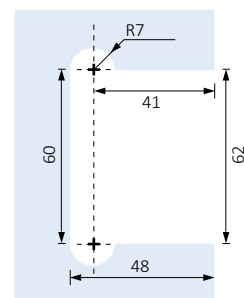


max dimensions  
0,75m x 2,10m  
max weight 40kg



Hinge with Stop G-T

8-10mm, 473 gr | Finishing .15 .16 .21BLACK

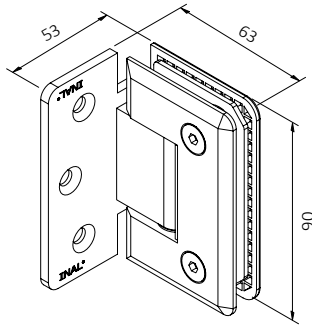


## 187 NEW FINISHING

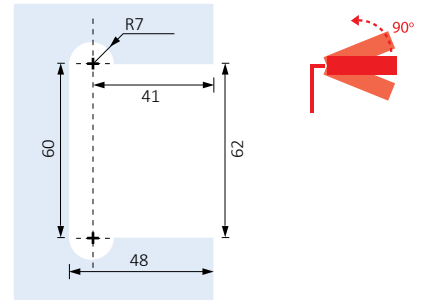
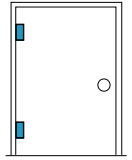


Hinge with Stop G-W [Side Plate]

8-10mm, 540 gr | Finishing .09 .10 .11 .21 .29 .30BN .48BLACK



max dimensions  
0,80m x 2,20m  
max weight 44kg

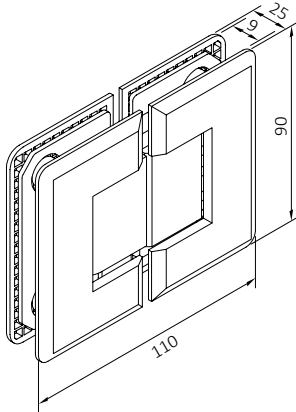


## 182 NEW FINISHING

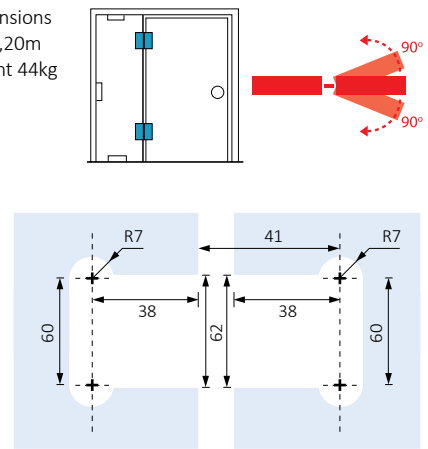
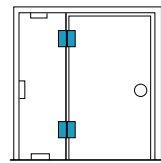


Hinge with Stop G-G

8-10mm, 773 gr | Finishing .09 .10 .11 .21 .29 .30BN .48BLACK



max dimensions  
0,80m x 2,20m  
max weight 44kg

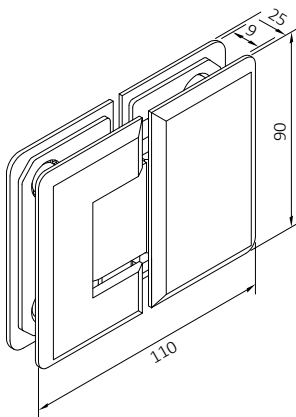


## 182 [ZINC ALLOY]

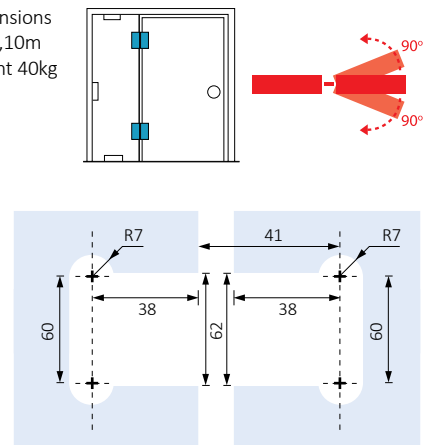
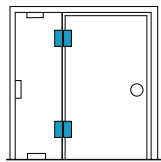


Hinge with Stop G-G

8-10mm, 773 gr | Finishing .15 .16 .21BLACK



max dimensions  
0,75m x 2,10m  
max weight 40kg

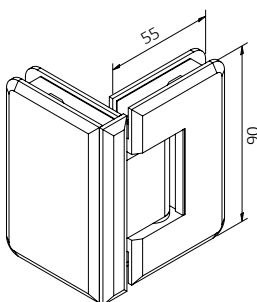


## 184 NEW FINISHING

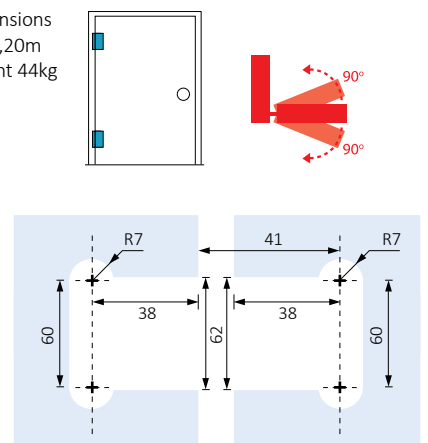
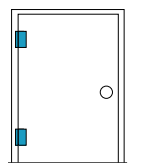


Hinge with Stop 90° G-G

8-10mm, 823 gr | Finishing .09 .10 .11 .21 .29 .30BN .48BLACK



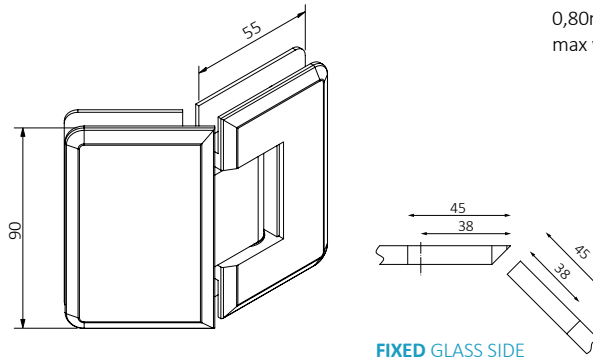
max dimensions  
0,80m x 2,20m  
max weight 44kg



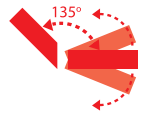
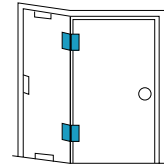
Dimensions mm

HINGES

185



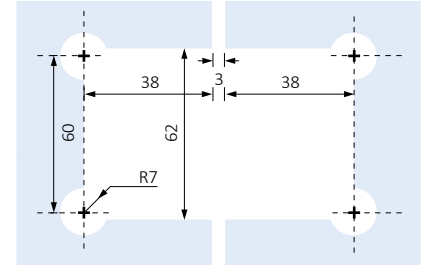
max dimensions  
0,80m x 2,20m  
max weight 44kg



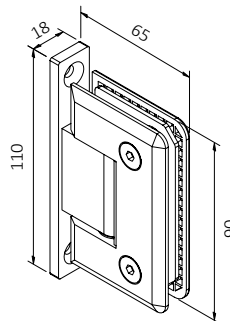
Hinge with Stop 135° G-G

8-10mm, 768 gr | Finishing .09 .21 .21BLACK .29 .30

FIXED GLASS SIDE  
EDGE 45°

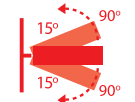
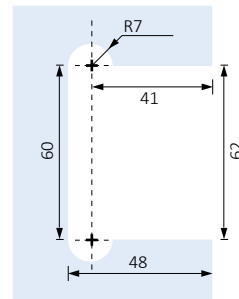
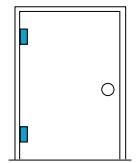


189



189.15 max dimensions 0,70m x 2,00m  
max weight 35kg

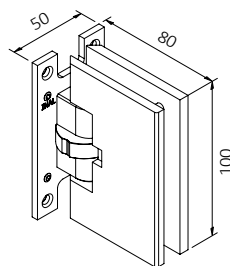
189.29 max dimensions 0,75m x 2,10m  
max weight 40kg



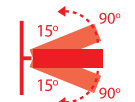
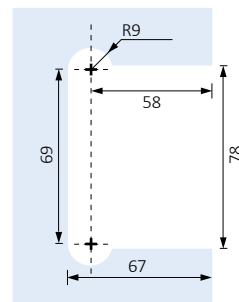
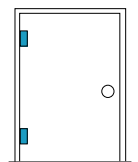
Hinge with Stop G-W

8-10mm 458 gr | Finishing .15 .21 .29

190



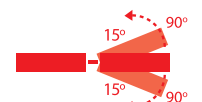
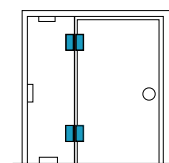
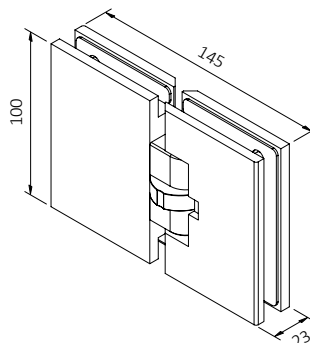
max dimensions  
0,90m x 2,20m  
max weight  
50kg



Hinge with Return G-W

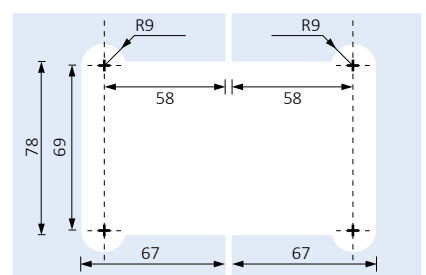
8-10mm, AL. 490 gr | Finishing .01 .21 .21BLACK .25

192

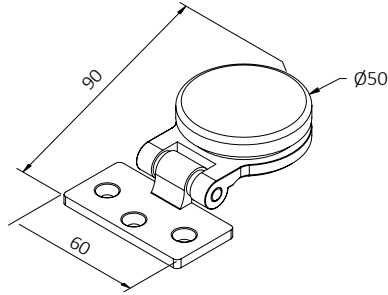


Hinge with Return G-G

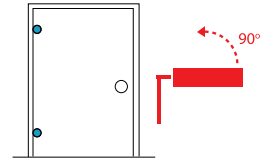
8-10mm, 801 gr | Finishing .01 .02 .21 .25



## 175.15LP

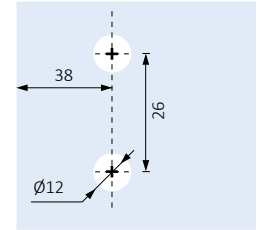


max dimensions  
0,60m x 2,00m  
max weight 30kg

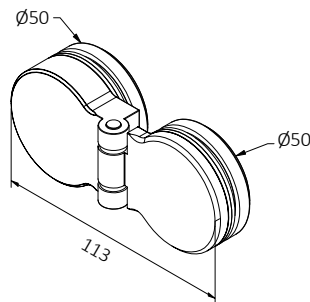


Bathroom Hinge G-W

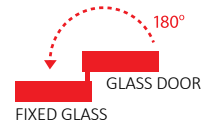
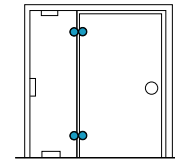
6-8mm 210 gr | Finishing .15



## 176

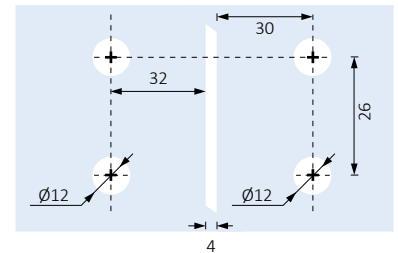


max dimensions  
0,60m x 2,00m  
max weight 30kg

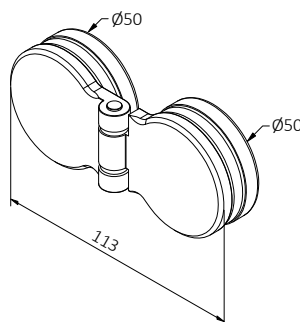


Bathroom Hinge G-G

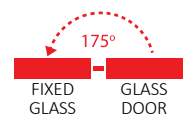
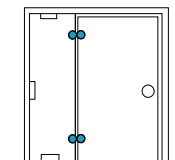
6-8mm 209 gr | Finishing .15 .17



## 177.15LP

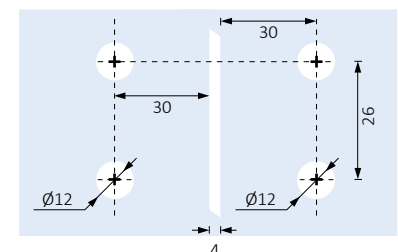


max dimensions  
0,60m x 2,00m  
max weight 30kg



Bathroom Hinge G-G

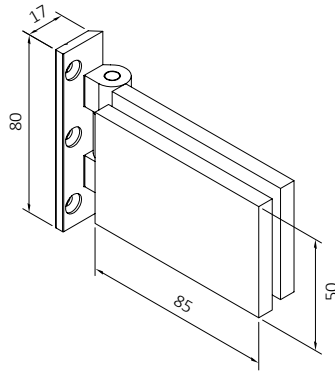
6-8mm 304 gr | Finishing .15



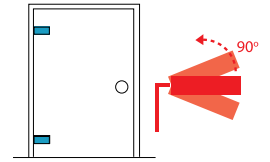
Dimensions mm

HINGES

**170**

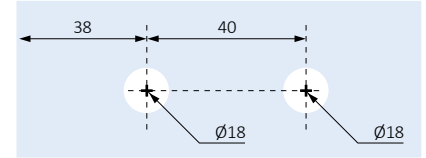


max dimensions  
0,90m x 2,20m  
max weight 50kg



Hinge Glarit G-W

- ⊕ Tempered 10-12mm [8mm upon request]
- ⊙ 239 gr | Finishing .01 .02 .03 .15 .16 .21 .21BLACK .25

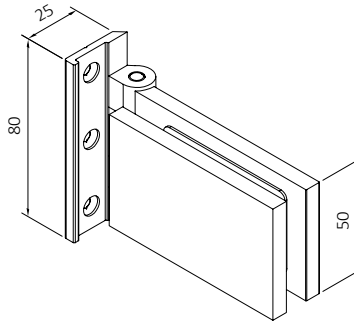


**170.BB**

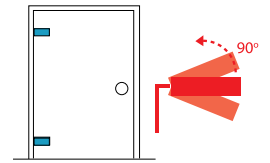
SAFETY FIXING PLATE



COMBINE WITH INAL®  
ALUMINUM CASE

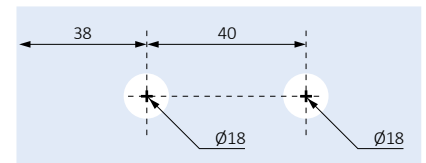


max dimensions  
0,90m x 2,20m  
max weight 50kg



Hinge Glarit G-W Big Base

- ⊕ Tempered 10-12mm [8mm upon request]
- ⊙ 245 gr | Finishing .01 .21 .21BLACK .25

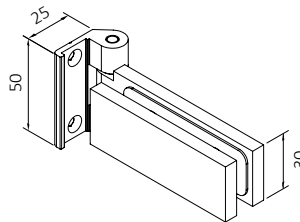


**170.30.BB**

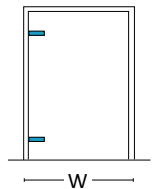
SAFETY FIXING PLATE



COMBINE WITH INAL®  
ALUMINUM CASE

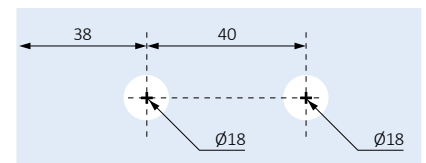


max dimensions  
max W: 0,60m  
max weight 20kg



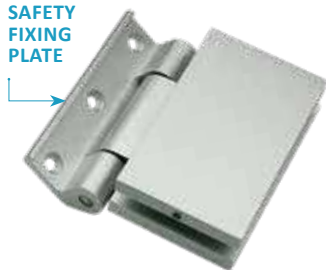
Hinge Glarit 30 mm G-W

- ⊕ Tempered 8-10mm
- ⊙ 160 gr | Finishing .01 .21 .25

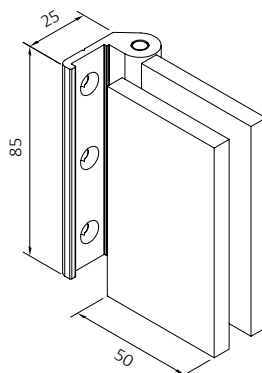


**170V.BB**

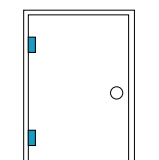
SAFETY FIXING PLATE



COMBINE WITH INAL®  
ALUMINUM CASE

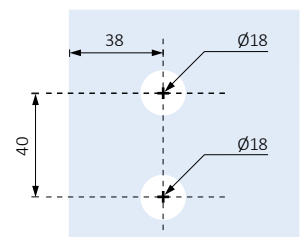


max dimensions  
0,90m x 2,20m  
max weight 50kg

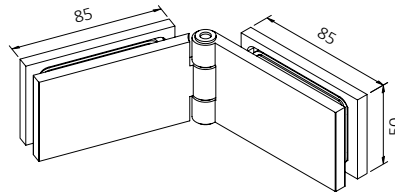


Vertical Hinge Glarit G-W Big Base

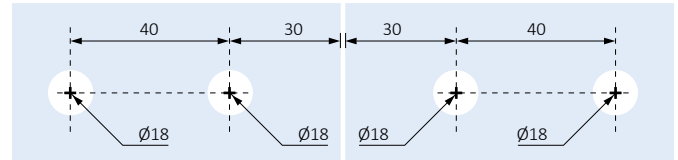
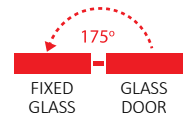
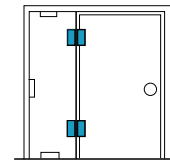
- ⊕ Tempered 10-12mm [8mm upon request]
- ⊙ 265 gr | Finishing .01 .21 .21BLACK .25



# 171



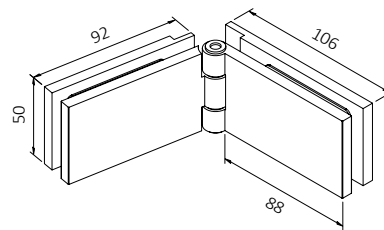
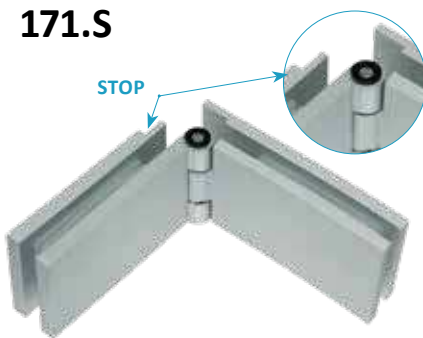
max dimensions  
0,80m x 2,00m  
max weight 44kg



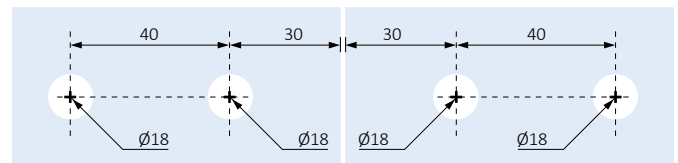
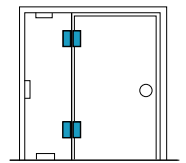
Hinge Glarit G-G

- Tempered 10-12mm [8mm upon request]
- 420 gr | Finishing .01 .02 .15 .16 .21 .21BLACK .25

# 171.S



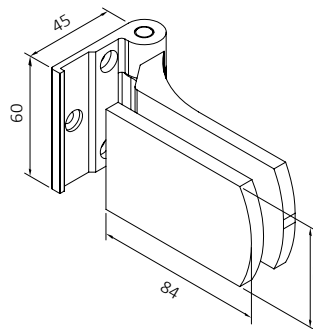
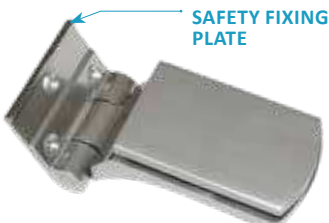
max dimensions  
0,80m x 2,00m  
max weight 44kg



Hinge Glarit G-G with STOP

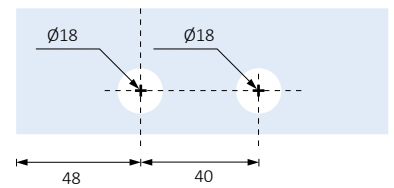
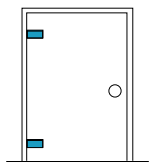
- Tempered 10-12mm [8mm upon request]
- 383 gr | Finishing .01 .02 .21 .25

# 173



max dimensions  
1,00m x 2,20m  
max weight 55kg \*

\* The specification applies to the use of the product in INAL's Case

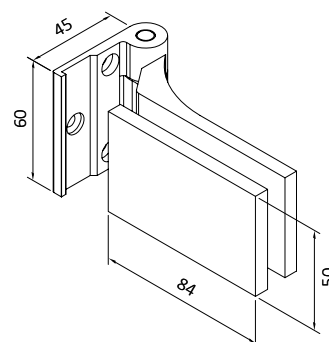
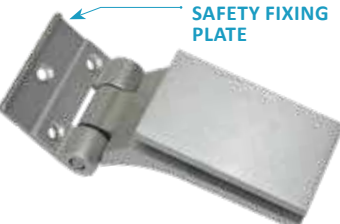


Hinge Glarit **CURVED DESIGN**

[FOR APPLICATIONS INAL® ALUMINUM CASE ELEGANCE SERIES](#)

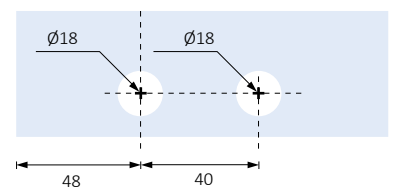
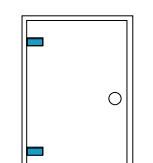
- Tempered 10-12mm
- 301 gr | Finishing .01 .02 .21 .21BLACK .25

# 179



max dimensions  
1,00m x 2,20m  
max weight 55kg \*

\* The specification applies to the use of the product in INAL's Case



Hinge Glarit **LINE DESIGN**

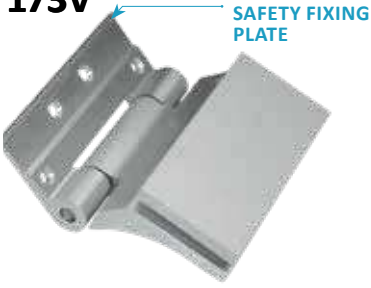
[FOR APPLICATIONS INAL® ALUMINUM CASE ELEGANCE SERIES](#)

- Tempered 10-12mm
- 304 gr | Finishing .01 .02 .21 .25

Dimensions mm

## HINGES

### 173V

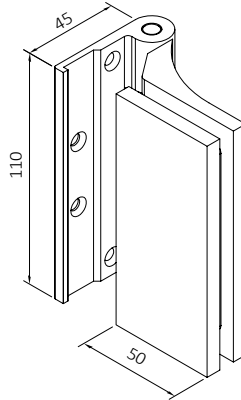


SAFETY FIXING PLATE

Vertical hinge Glarit G-W

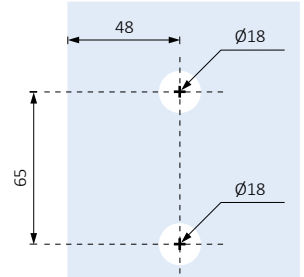
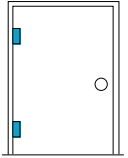
FOR APPLICATIONS INAL® ALUMINUM  
CASE ELEGANCE SERIES

☑ Tempered 10-12mm ☑ 490 gr | Finishing .01 .21 .21BLACK .25



max dimensions 1,00m x 2,50m  
max weight 65kg \*

\* The specification applies to the use of the product in INAL's Case



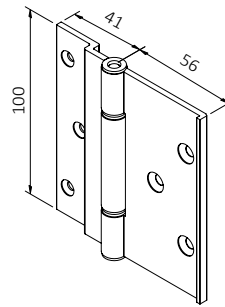
### W100



Hinge for Wooden Door

FOR APPLICATIONS INAL® ALUMINUM  
CASE ELEGANCE SERIES

☑ 108 gr | Finishing .01 .02 .21 .25

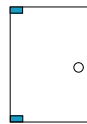
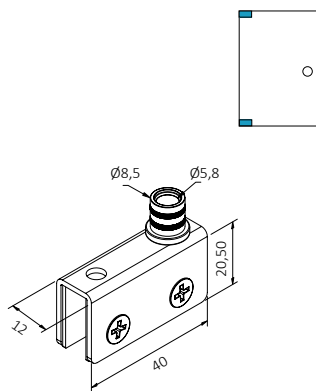


### 122



Hinge for 4-6 mm glass

☑ 4-6mm ☑ 40 gr | Finishing .09 .10 .11

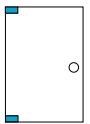
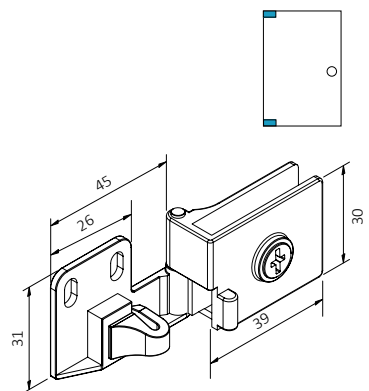


### 183



Additional hinge for 4-6 mm glass

☑ 4-6mm ☑ 70 gr | Finishing .09 .11

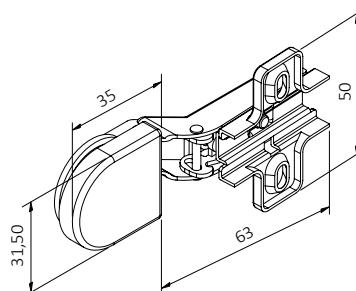


### 123



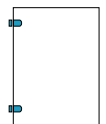
Glass hinge

☑ 4-6mm ☑ 60 gr | Finishing .09 .10 .11



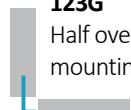
#### 123E

Full overlay mounting



#### 123G

Half overlay mounting



#### 123M

Inset mounting



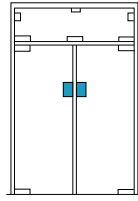
Dimensions mm





# locks

## 201SC [ALUMINUM]



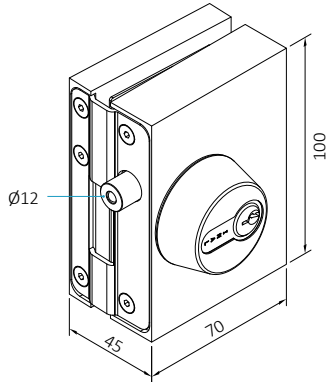
**AVAILABLE WITH**



• 2201.19 SECURITY CYLINDER



• 2209.19 CYLINDER WITH KNOB

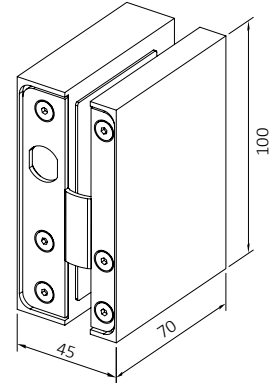
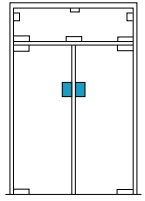


GLASS CUTTING NOT REQUIRED

Additional Lock [Double Locking]

● 10-20mm ● 864 gr | Finishing .01 .02 .21 .21BLACK

## 202 [ALUMINUM]



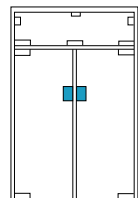
GLASS CUTTING NOT REQUIRED

Additional Lock Female [for lock 201 aluminum]

● 10-20mm ● 677 gr | Finishing .01 .02 .21 .21BLACK

CODES for <b>201 Additional lock</b> & <b>202 Additional lock</b> <b>Female</b>	Type of Lock	Glass Thickness		
		10-12 mm	14-16 mm	18-20 mm
	Additional Lock	201	201.15	201.20
	Female	202	202.15	202.20
	Set Additional Lock with Female	200	200.15	200.20

## 201 [STAINLESS STEEL]



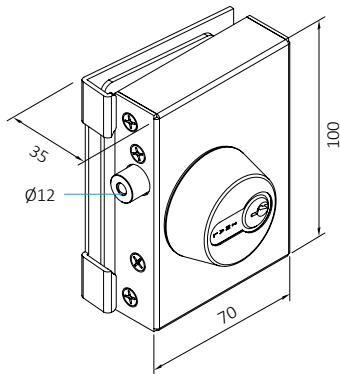
**AVAILABLE WITH**



• 2201.19 SECURITY CYLINDER



• 2209.19 CYLINDER WITH KNOB

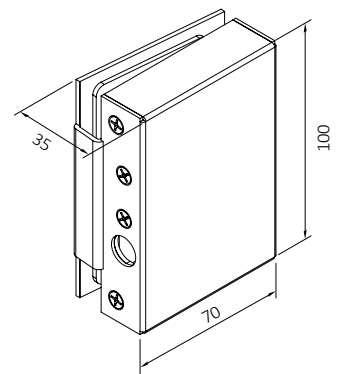
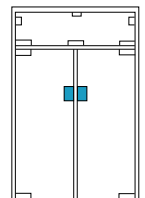


GLASS CUTTING NOT REQUIRED

Additional Lock [Double Locking]

● 10-20mm ● 652 gr | Cover finishing .13 .14

## 202 [STAINLESS STEEL]

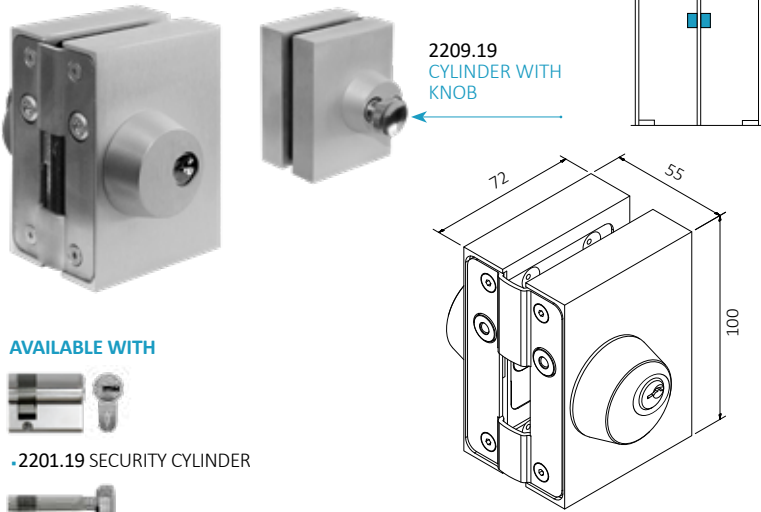


GLASS CUTTING NOT REQUIRED

Additional Lock Female [for lock 201 Stainless Steel]

● 10-20mm ● 361 gr | Finishing .13 .14

## 207



**AVAILABLE WITH**



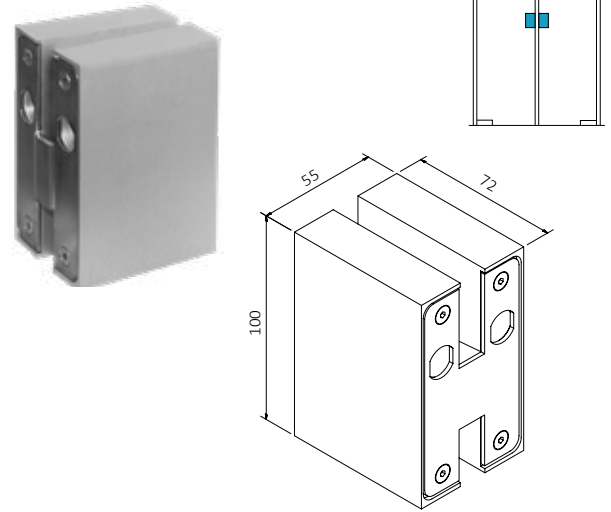
• 2201.19 SECURITY CYLINDER



• 2209.19 CYLINDER WITH KNOB

**GLASS CUTTING  
NOT REQUIRED**

## 208



**GLASS CUTTING  
NOT REQUIRED**

Additional Double Lock

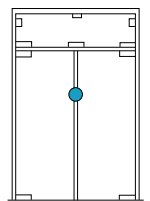
10mm 1298 gr | Finishing .01 .02 .21

Additional Double Lock Female [for lock 207]

10mm 845 gr | Finishing .01 .02 .21

CODES for <b>207 Additional lock</b> & <b>208 Additional lock</b> <b>Female</b>	Type of Lock	Glass Thickness	
	Additional Double Lock	15 mm	20 mm
	Additional Double Lock Female	207.15	207.20
		208.15	208.20

## 206



**GLASS CUTTING  
NOT REQUIRED**

Additional Lock Bull [SECURITY CYLINDER]

206 10mm 497 gr | Finishing .21 [RAL 9006] 206.15.21 15mm 497 gr | Finishing .21 [RAL 9006]

## VL155 "Chameleon" VERTICAL GLASS LOCK SERIES

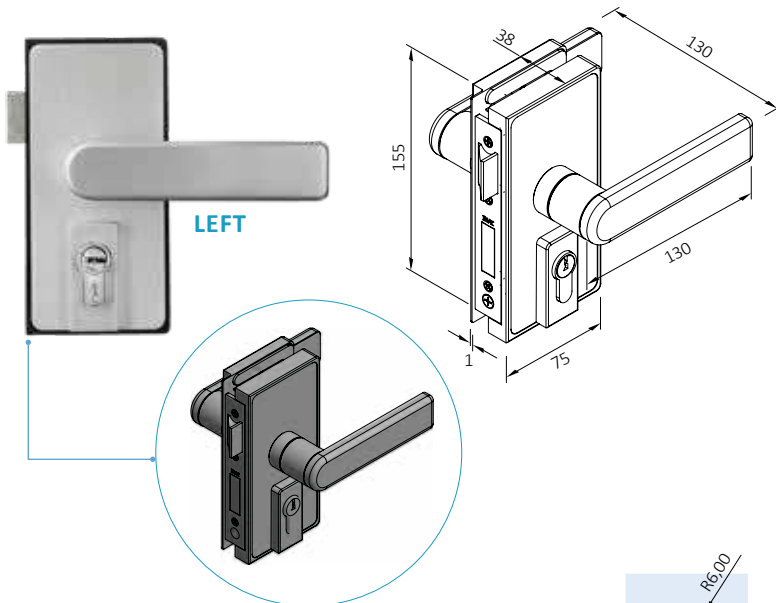
### AVAILABLE TYPES & APPLICATIONS

- FOR DOOR CASE LEFT - RIGHT
- FOR GLASS TO GLASS
  - A/R
  - WITH STOPPER [ONE WAY]

- Reversible direction Left & Right
- Double lock mechanism with 21mm deadbolt
- Handle alignment adjustment
- Various types of cylinders for multiple locking applications
- Various part finishing:
  - Lock body in natural or black anodized finishing
  - Decorative masks available in natural anodized, black anodized, satin & polish stainless steel



## VL155C "Chameleon"



### COMBINE WITH

INAL® Aluminum Case series  
"Elegance", "Flexi", "Simply"

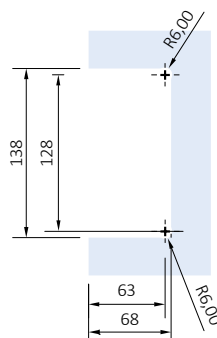
*"Élégance"*

*"Flexi"*

*"Simply"*

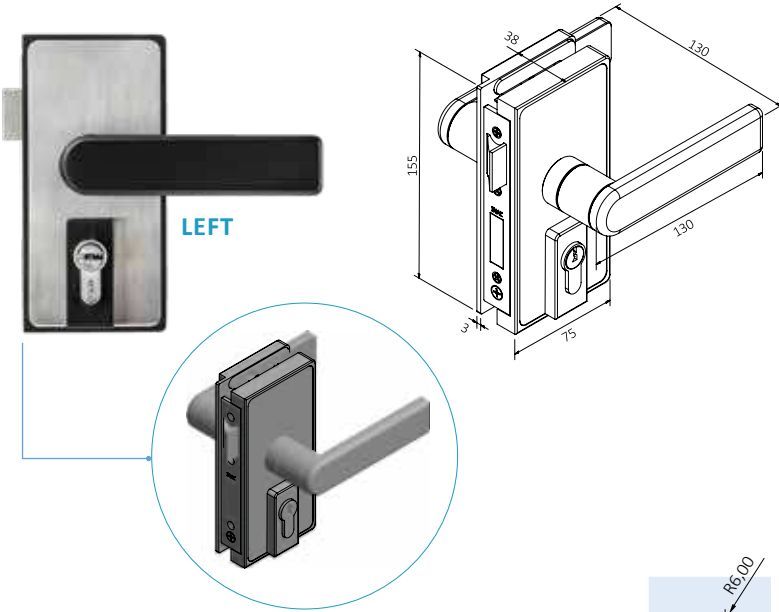
Vertical Glass Lock VL155mm,  
**REVERSIBLE DIRECTION**  
**FOR ALUMINUM CASE PROFILE**

- 8- 12,5mm, ● 1770 gr
- Finishing: Body, Handle, Cylinder Cover: .01 .21 .33
- Decorative Mask .01 .21 .13 .14 .33



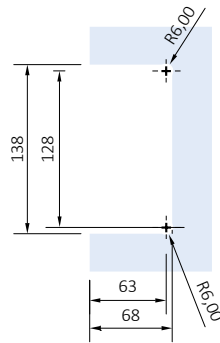
Latching & Locking Plates  
for Aluminum Case

## VL155G "Chameleon"

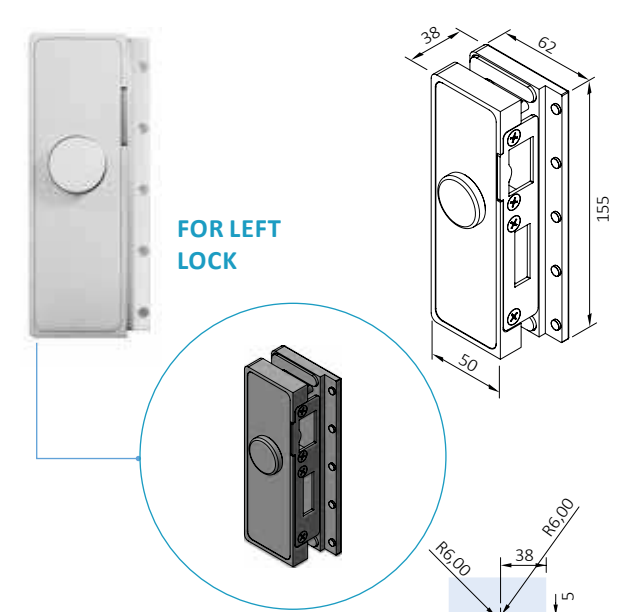


Vertical Glass Lock VL 155mm,  
**REVERSIBLE DIRECTION WITH STOP, ONE WAY DIRECTION, FOR GLASS TO GLASS APPLICATIONS**

8- 12,5mm, 1300 gr  
Finishing: Body, Handle, Cylinder Cover: .01 .21 .33  
Decorative Mask .01 .21 .13 .14 .33

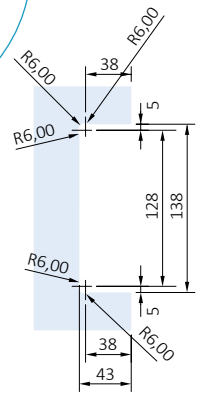


## VL155FG "Chameleon"

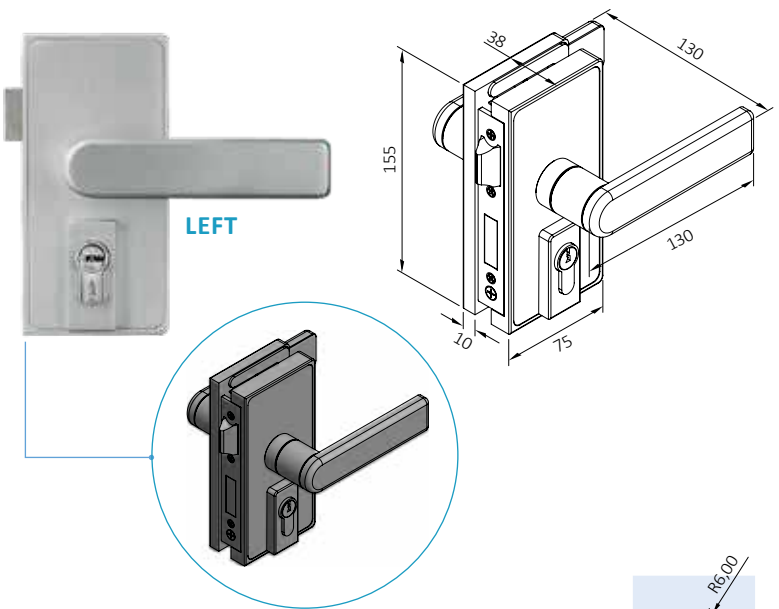


Female Part  
**NON REVERSIBLE,**  
Left or Right for **VL155G**

8- 12,5mm, 532 gr  
Finishing: Female Body,  
Decorative Cap: .01 .21 .33  
Decorative Mask: .01 .21 .13 .14 .33

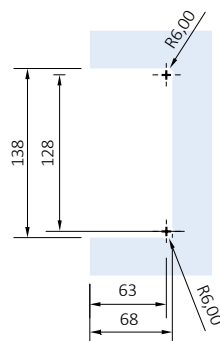


## VL155GA "Chameleon"

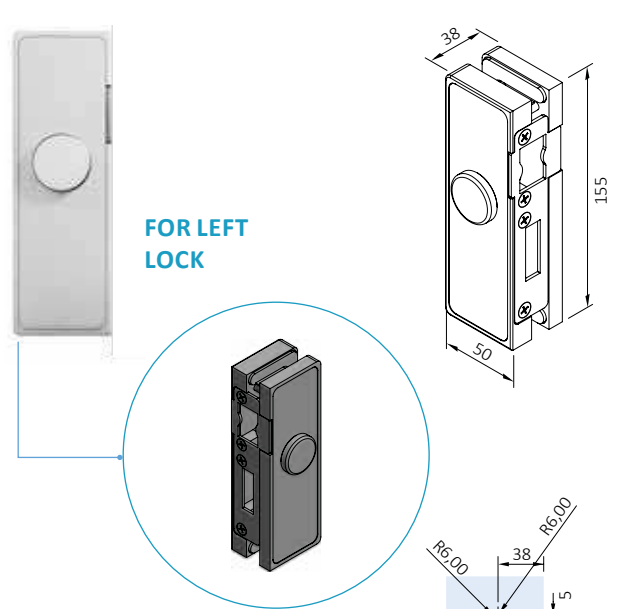


Vertical Glass Lock VL 155mm,  
**REVERSIBLE DIRECTION, ALLER/RETOUR, FOR GLASS TO GLASS APPLICATIONS**

8- 12,5mm, 1770 gr  
Finishing: Body, Handle, Cylinder Cover: .01 .21 .33  
Decorative Mask .01 .21 .13 .14 .33

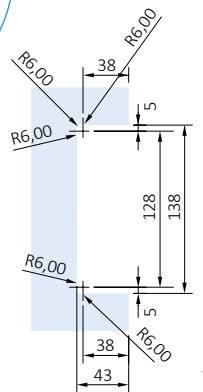


## VL155FA "Chameleon"



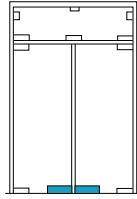
Female Part  
**ALLER/RETOUR,**  
Left or Right for **VL155GA**

8- 12,5mm, 532 gr  
Finishing: Female Body,  
Decorative Cap: .01 .21 .33  
Decorative Mask: .01 .21 .13 .14 .33



Dimensions mm

## 211



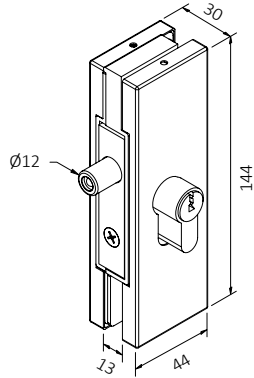
AVAILABLE WITH



•2203.19 SECURITY CYLINDER



•2204.19 CYLINDER WITH KNOB

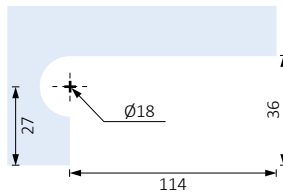


Side Lock

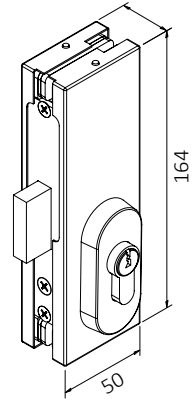
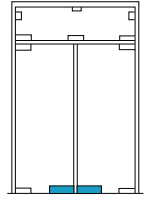
10mm\* 623 gr

Cover finishing .01 .02 .07 .08 .13 .14 .21 .25

\* Up to 12mm Glass, upon request



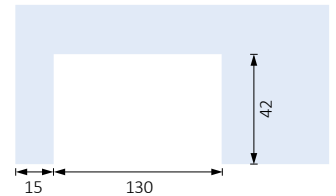
## 212



Side Lock

10-12mm 1163 gr

Cover finishing .13 .14

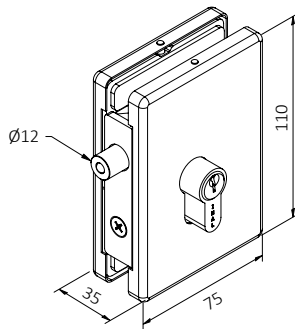
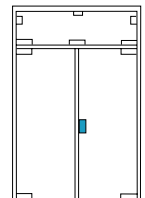


## 230



Without cylinder

230.00



AVAILABLE WITH



•2203.19 SECURITY CYLINDER

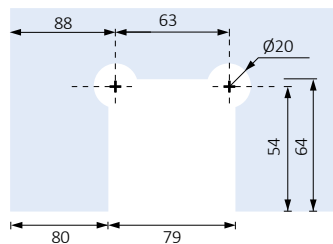


•2204.19 CYLINDER WITH KNOB

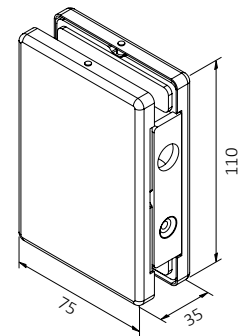
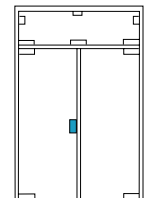
Front Side Lock [Double Locking]

10mm\* 680 gr

\* Up to 12mm Glass, upon request



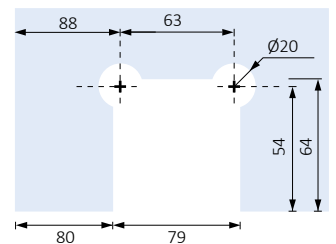
## 231



Front Side Lock Female [for side lock 230]

10mm\* 356 gr

\* Up to 12mm Glass, upon request



COVER FINISHING

for **230 Front sidel lock** & **230.00 Front sidel lock** & **231 Front Side Lock Female**

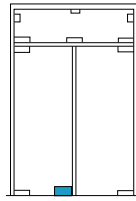
.01 .02 .07 .13 .14 .21 .21BLACK .25

## 210



Without cylinder

**210.00**



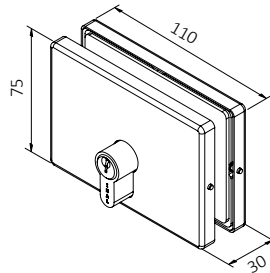
**AVAILABLE WITH**



• 2203.19 SECURITY CYLINDER



• 2204.19 CYLINDER WITH KNOB



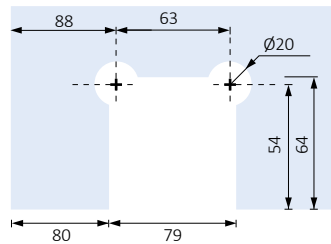
Floor Lock [Double Locking]

10mm\* 689 gr

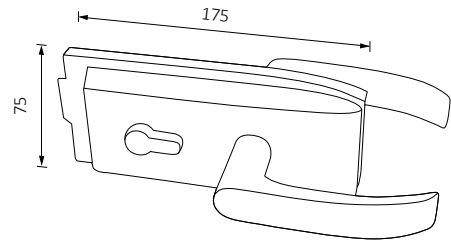
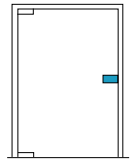
Cover finishing

.01 .02 .07 .08 .13 .14 .21 .21BLACK .25

\* Up to 12mm Glass, upon request



## 247G

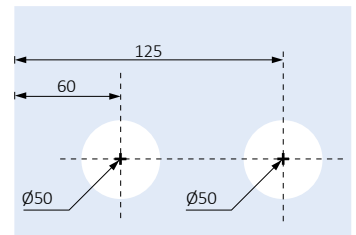


Mechanical Lock with Handle

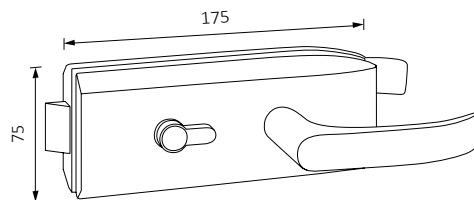
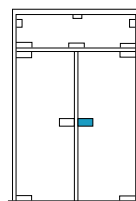
\* [FOR ALUMINUM CASE PROFILE](#) or [ELECTRIC STRIKE](#)

10mm 1705 gr

Finishing .16



## 247

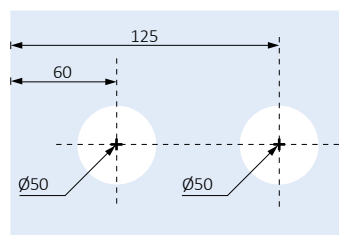


Front Lock with Handle

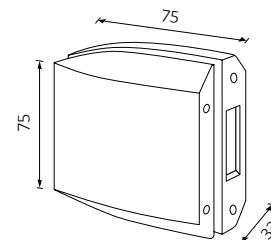
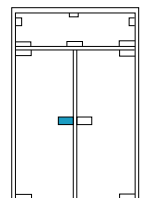
\* [FOR WALL & GLASS TO GLASS APPLICATIONS](#)

10mm 1763 gr

Finishing .15 .16



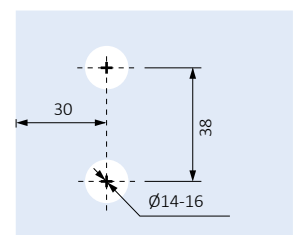
## 248



Female [for lock 247]

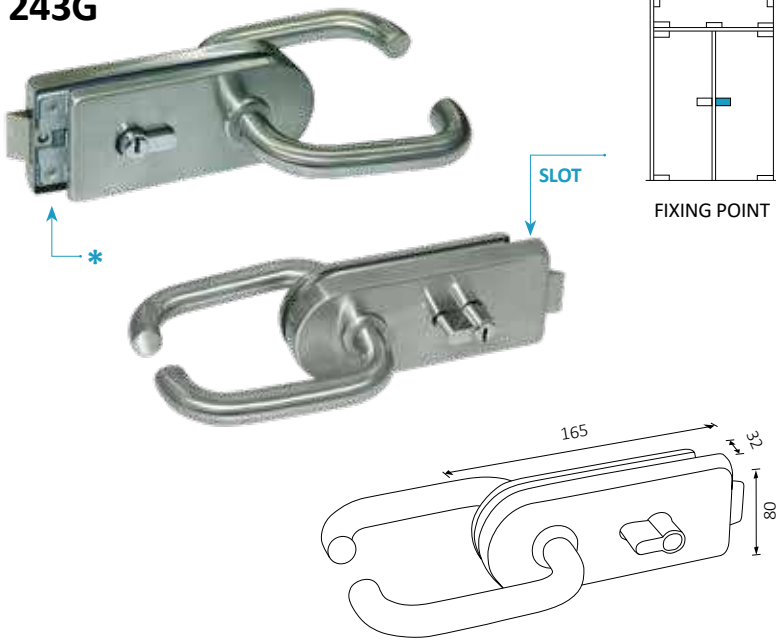
10mm 343 gr

Finishing .15 .16



Dimensions mm

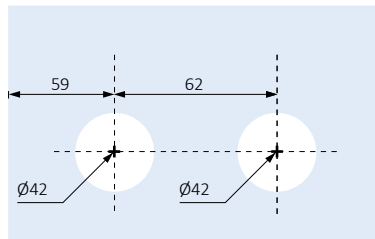
### 243G



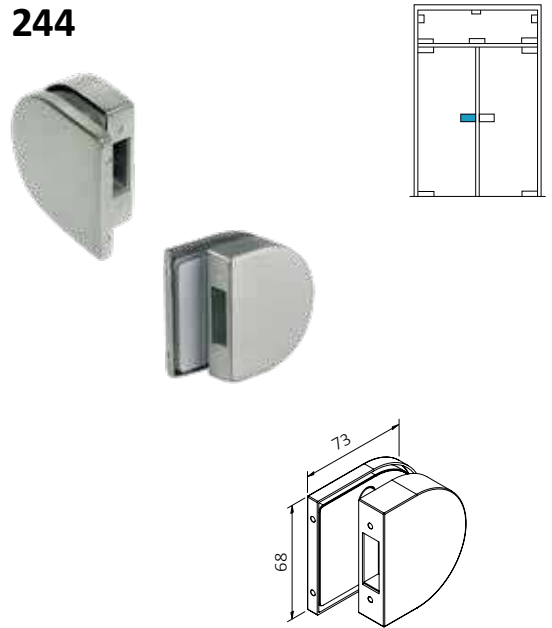
Front Lock with Handle for G-G or Case

\* [FOR WALL & GLASS TO GLASS APPLICATIONS](#)

10-12mm 1457 gr  
Cover finishing .13 .14

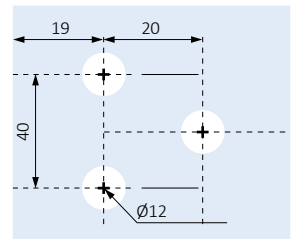
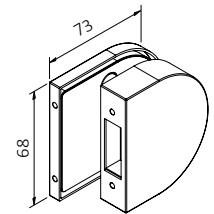


### 244

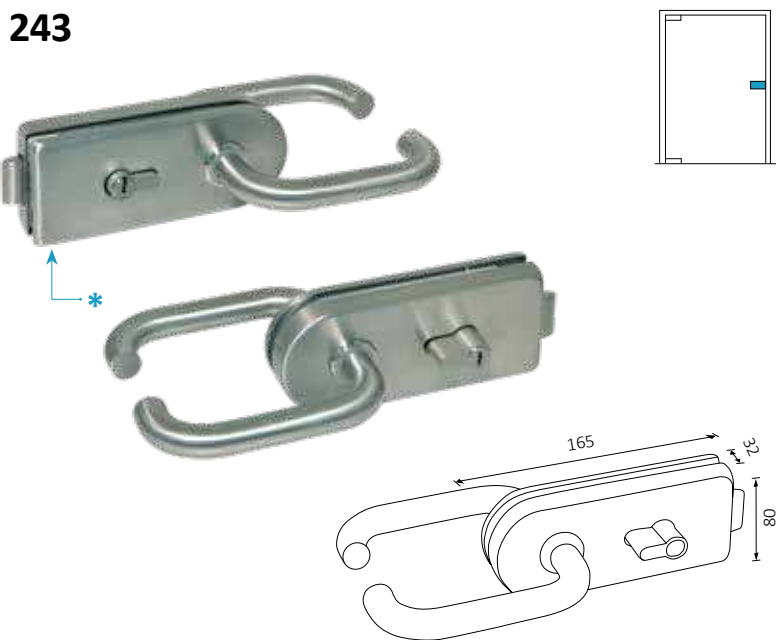


Female [for lock 243G]

10-12mm 203 gr  
Cover finishing .13 .14



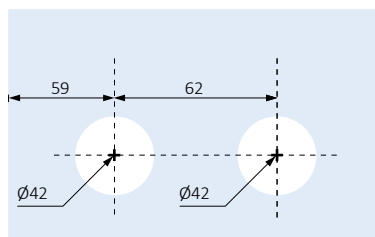
### 243



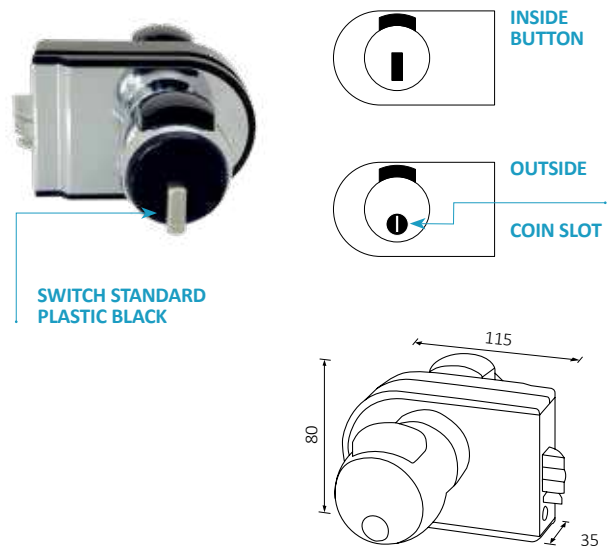
Front Lock with Handle

\* [FOR WALL APPLICATIONS](#)

10-12mm 1457 gr  
Cover finishing .13 .14

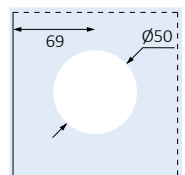


### 280 [WC]



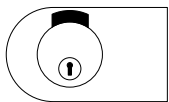
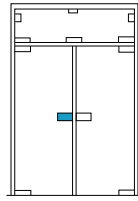
Glass Lock Meroni WC

10mm 762 gr  
Finishing ..13WC .14WC .21WC BLACK  
.21WC.G [GREY COLOUR] .21WC RAL





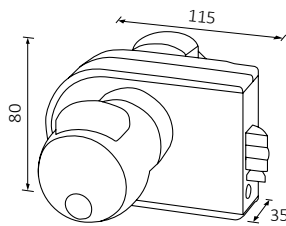
### 280



OUTSIDE KEY



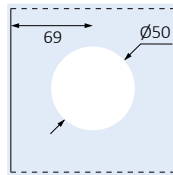
INSIDE BUTTON



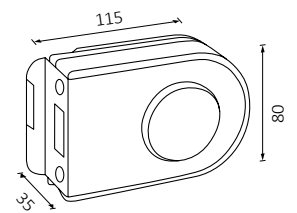
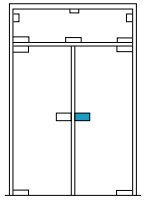
Glass Lock Meroni

10mm 762 gr

Finishing .07 .13 .14 .21G [GREY COLOUR] .280.21GDK



### 281

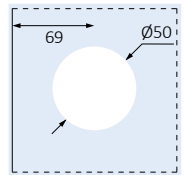


Glass Lock Meroni Female  
[for lock 280 & 280WC]

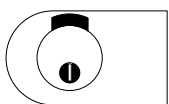
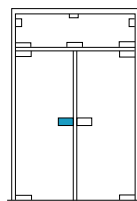
10mm 321 gr

Finishing

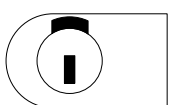
.07 .13 .21G [GREY COLOUR]



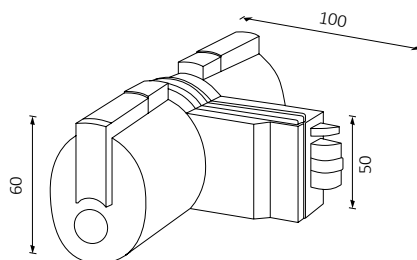
### 284



OUTSIDE KEY



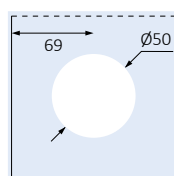
INSIDE BUTTON



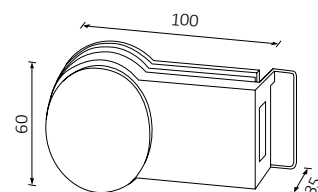
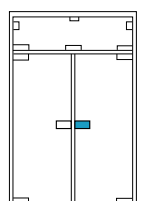
Glass Lock Meroni Forma

10mm 897 gr

Finishing .21 RAL GREY COLOUR .21BLACK



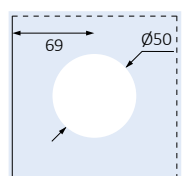
### 285



Glass Lock Meroni Female  
[for lock 284]

10mm 229 gr

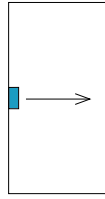
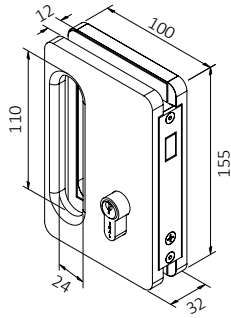
Finishing .21 RAL GREY COLOUR



Dimensions mm

LOCKS

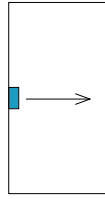
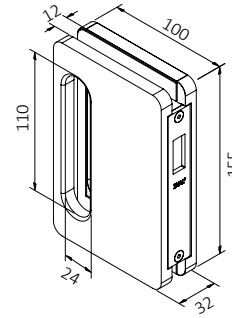
**227**



Lock **FOR SLIDING DOOR**

10mm AL. 877 gr | Finishing .01 .03 .04 .21BLACK .25

**228**



Lock Female [for lock 227]

10mm AL. 877 gr | Finishing .01 .03 .04 .25

**COMBINE WITH INAL® CYLINDERS**



Without cylinder

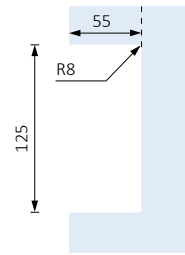
**227.NCY**



• 2229.19 SAFETY KEY CYLINDER

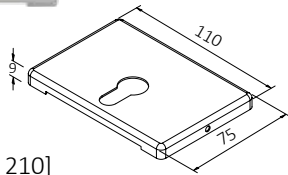
• 2228.19 SAFETY KEY CYLINDER WITH KNOB

• 2227.19 CYLINDER WITH KNOB AND COIN SLOT [WC APPLICATION]



covers for locks

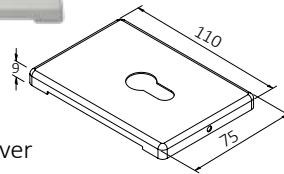
**2101**



Cover [for lock 210]

24-63 gr  
Finishing .01 .02 .07 .08 .13 .14 .21 ..21BLACK 25

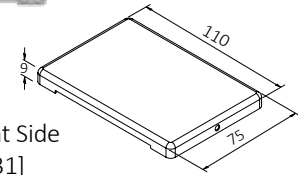
**2102**



Front Side Cover [for lock 230]

25-59 gr  
Finishing .01 .02 .07 .08 .13 .14 .21 .21BLACK .25

**2106**



Cover for Front Side Female [for 231]

27-61 gr  
Finishing .01 .02 .07 .08 .13 .14 .21 .21BLACK .25

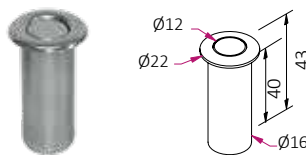
**111**



Lock Casing Ø8

17 gr | Finishing .13

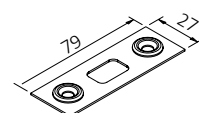
**113**



Lock Casing Ø12 Double Lock

22 gr | Finishing .13

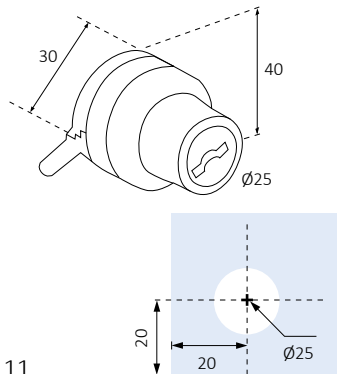
**109**



Lock Floor Plate | Finishing .01 .13 .14

# locks 4-6mm

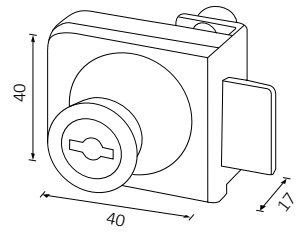
**261**



Lock for 5mm Glass

5mm 103 gr | Finishing .09 .11

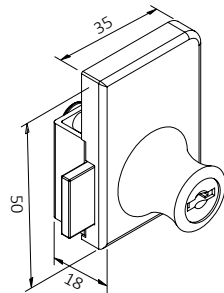
**262**



Additional Single Glass Lock 5mm

5mm 97 gr | Finishing .09 .11

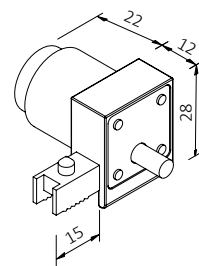
**263**



Additional Double Glass Lock 5mm

5mm 116 gr | Finishing .09

**264**



Lock for Sliding Door 5mm with profile [CODE 1300, page 78]

5mm 90 gr | Finishing .09

**1300.3521**



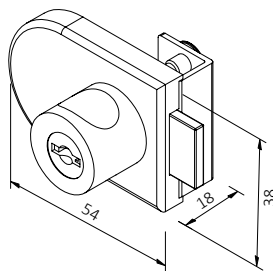
**1300.3522**



**1300.3523**



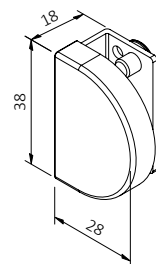
**265**



Additional Single Glass Lock 5mm

5mm 139 gr | Finishing .09

**266**



Additional Single Glass Lock 5mm

5mm 43 gr | Finishing .09

**267**

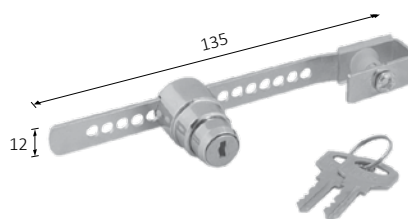


**33 LOCKING POSITIONS**

Lock for 5mm Glass Sliding Door

62 gr | Finishing .09

**268**



**16 LOCKING POSITIONS**

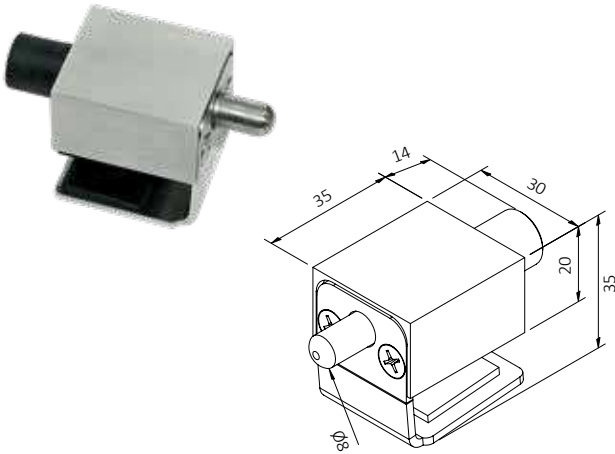
Lock for 5mm Glass Sliding Door

78 gr | Finishing .09



bolts

### 900

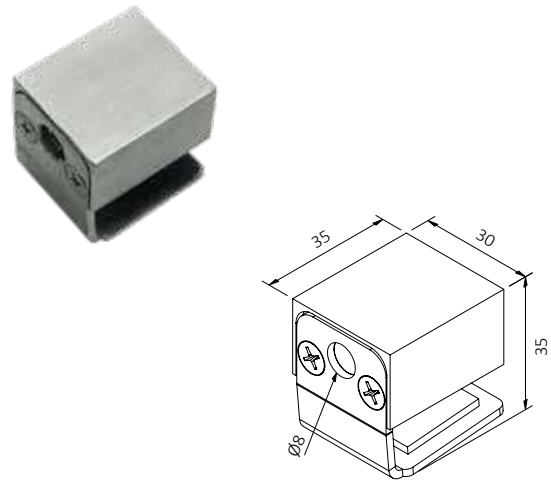


GLASS CUTTING NOT REQUIRED

Additional Bolt

10mm 193 gr | Finishing .13 .14

### 901



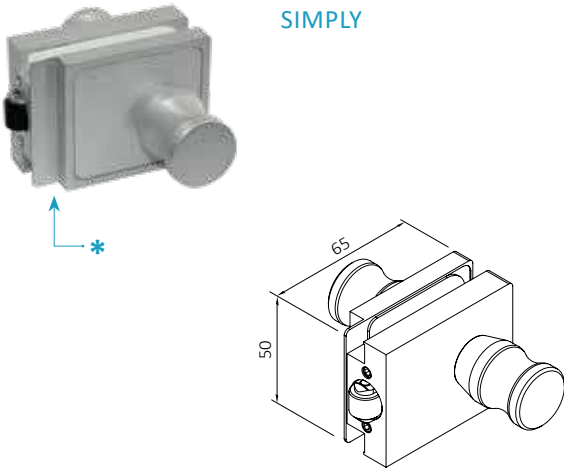
GLASS CUTTING NOT REQUIRED

Additional Bolt Female [for bolt 900]

10mm 175 gr | Finishing .13 .14

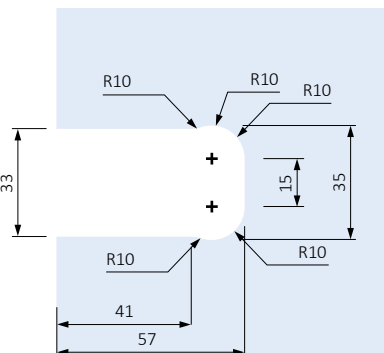
### 910

SUITABLE FOR INAL® DOOR ALUMINUM CASE PROFILES SERIES ELEGANCE, FLEXI, SIMPLY



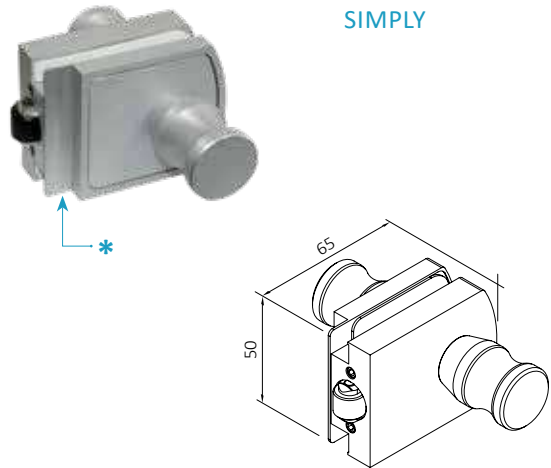
Door catcher with knob  
\* FOR ALUMINUM CASE APPLICATIONS or ELECTRIC STRIKE

10mm 297 gr  
Finishing .01 .21 .21BLACK .25



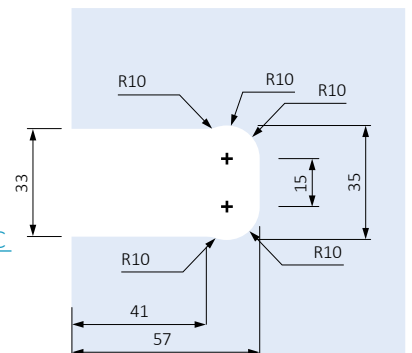
### 910C

SUITABLE FOR INAL® DOOR ALUMINUM CASE PROFILES SERIES ELEGANCE, FLEXI, SIMPLY



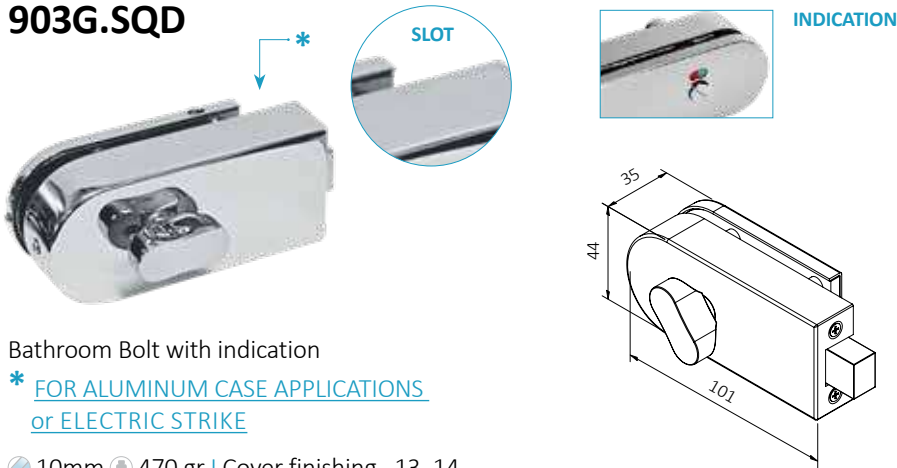
Door catcher curved design with knob  
\* FOR ALUMINUM CASE APPLICATIONS or ELECTRIC STRIKE

10mm 297 gr  
Finishing .01 .21 .25



BOLTS

**903G.SQD**

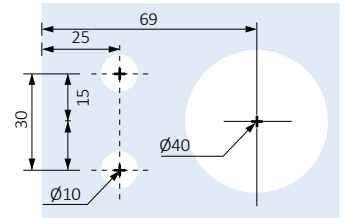


SUITABLE FOR INAL® DOOR ALUMINUM CASE PROFILES SERIES ELEGANCE, FLEXI, SIMPLY

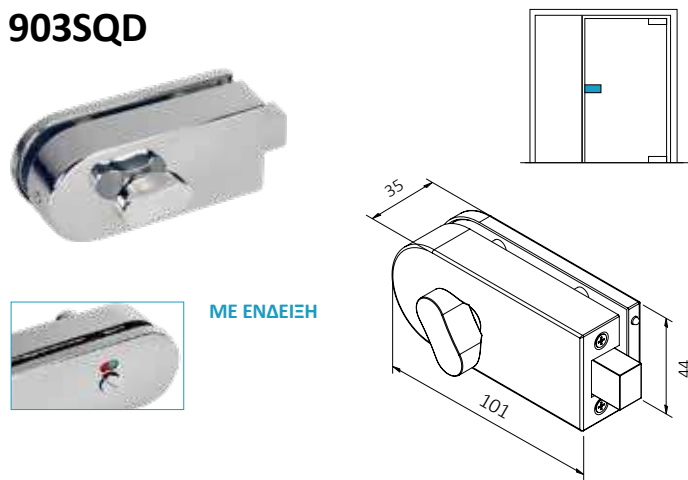
Bathroom Bolt with indication

\* [FOR ALUMINUM CASE APPLICATIONS](#) or [ELECTRIC STRIKE](#)

10mm 470 gr | Cover finishing .13 .14

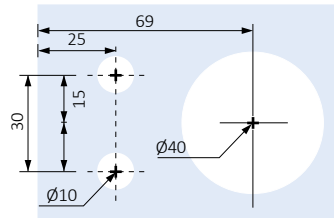


**903SQD**

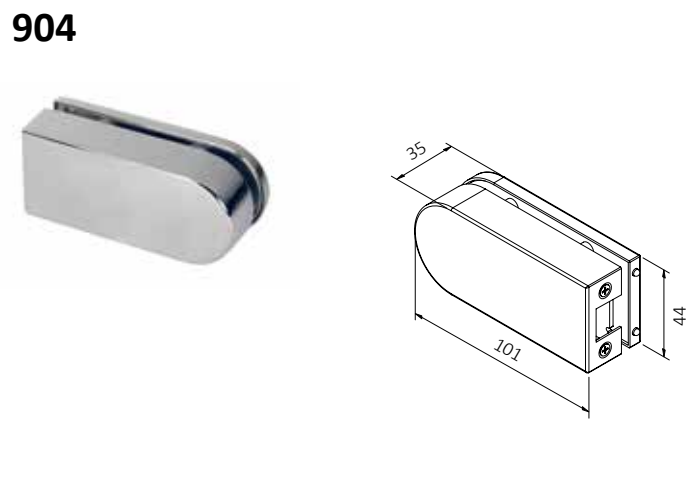


Bolt with indication [for WC] [FOR WALL & GLASS TO GLASS APPLICATIONS](#)

10mm 470 gr  
Cover finishing .13 .14

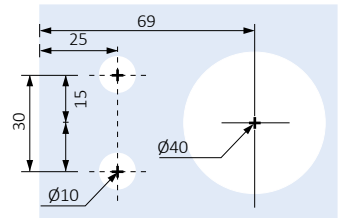


**904**

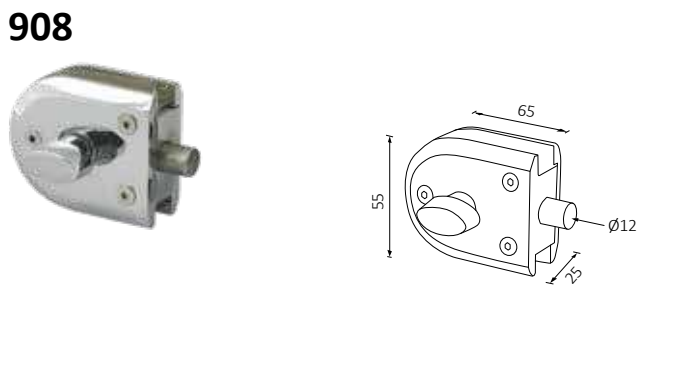


Bolt Female [ for bolt 903SQD] [FOR GLASS TO GLASS APPLICATIONS](#)

8-10mm 300 gr  
Cover finishing .13 .14

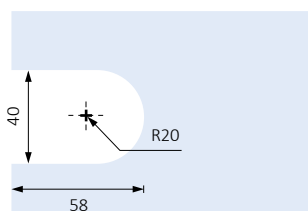


**908**

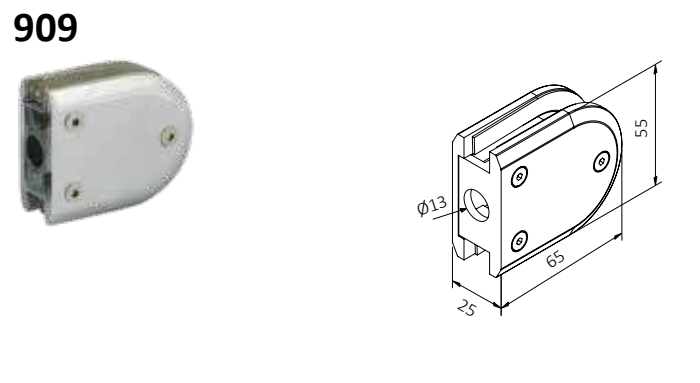


Bolt [FOR WALL & GLASS TO GLASS APPLICATIONS](#)

10mm 319 gr  
Finishing .15 .16

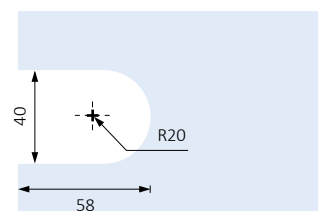


**909**



Bolt Female [for bolt 908] [FOR GLASS TO GLASS APPLICATIONS](#)

10mm 248 gr  
Finishing .15 .16



Dimensions mm



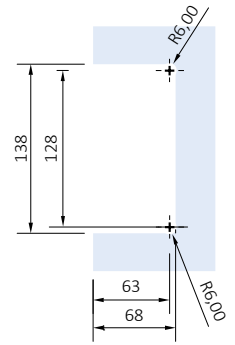
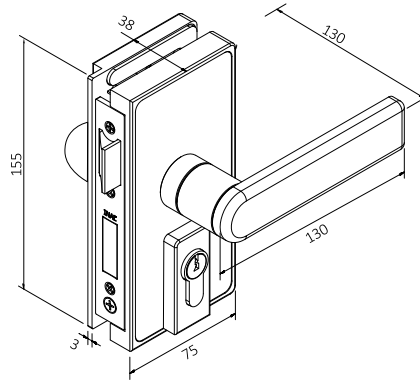
## door control electric locks

## VL155G "Chameleon" with Electric Strike



LEFT

**AVAILABLE WITH**



Vertical Glass Lock VL 155mm,  
**REVERSIBLE DIRECTION WITH STOP,  
ONE WAY DIRECTION**

FOR DOOR CONTROL APPLICATIONS

- 8- 12,5mm, ● 1300 gr
- Finishing: Body, Handle, Cylinder Cover: .01 .21 .33
- Decorative Mask .01 .21 .13 .14 .33

**RUBBER 3mm  
FOR SMOOTH CLOSE**



**DEADBOLT  
HANDLE**

**COMBINED WITH**

- 290** Electric strike
- 1581** Aluminum Plate



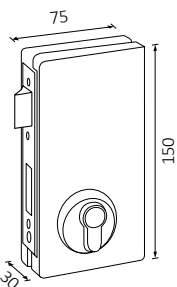
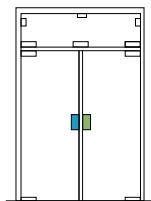
## 254



LEFT



RIGHT



Electric Lock CSM Left or Right

- 10mm ● 962 gr | Cover finishing .13 .14

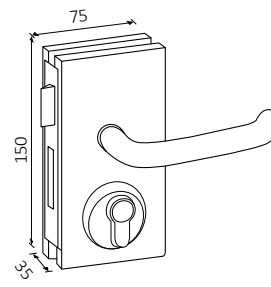
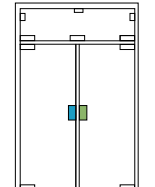
## 273



LEFT

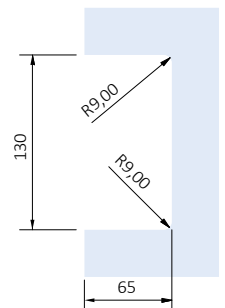
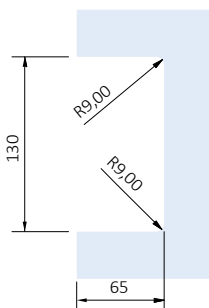


RIGHT



Electric Lock with Knob Left or Right

- 10mm ● 1393 gr | Cover finishing .13 .14



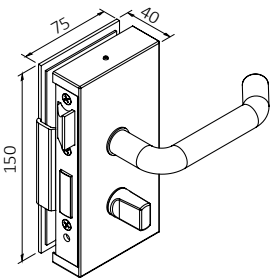


**270**

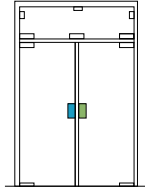


**LEFT**

**RIGHT**



GLASS CUTTING NOT REQUIRED

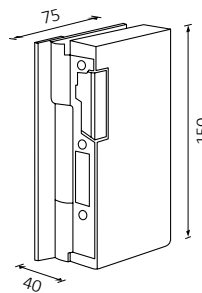


**272**

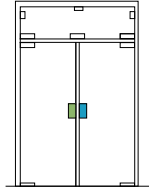


**RIGHT FOR LEFT LOCK**

**LEFT FOR RIGHT LOCK**



GLASS CUTTING NOT REQUIRED



Additional Electric Lock Left or Right

10mm 1282 gr | Cover finishing .09

Additional Electric Lock Female Left or Right for lock **270**

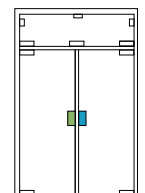
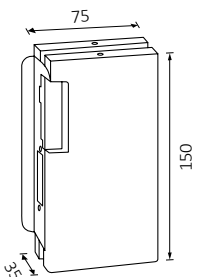
10mm 891 gr | Cover finishing .09

**256**



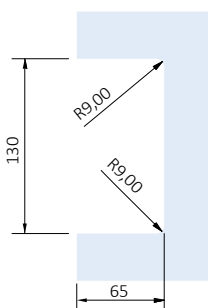
**RIGHT FOR LEFT LOCK**

**LEFT FOR RIGHT LOCK**



Female Left or Right for Electric lock **273** & **254**

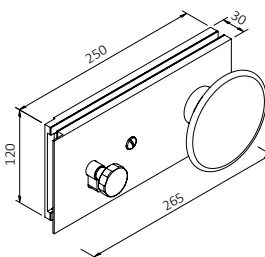
10mm 957 gr | Cover finishing .13 .14



**250**

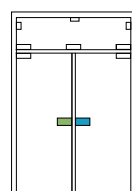


**RIGHT**



Electric Lock Left or Right

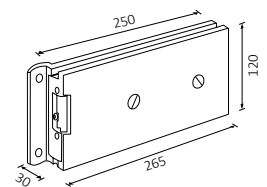
10mm 2300 gr  
Finishing .01



**252**

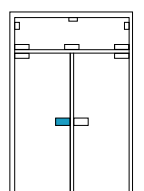
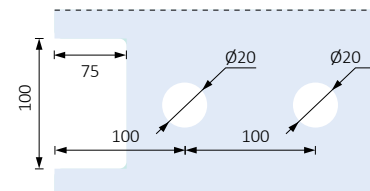


**LEFT FOR RIGHT LOCK**



Electric Lock Female Left or Right for Electric lock **250**

10mm 1600 gr  
Finishing .01



Dimensions mm

**1581**

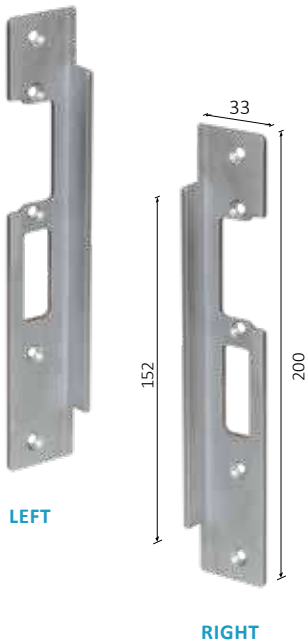


Plate [for strike 290] R/L

● 53 gr

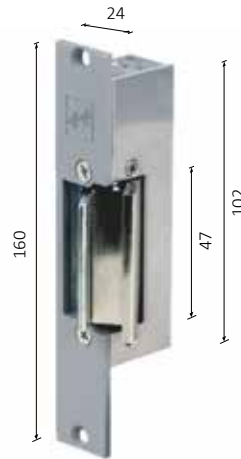
**290.J**



Electric Strike 12/24V AC/DC

● 134 gr

**934**



Electric Strike EFF-EFF Self Secure 12V DC for Glass

● 10mm ● 340 gr

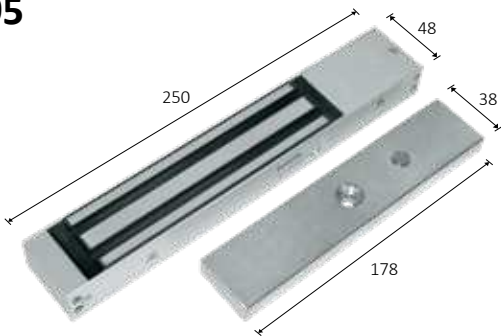
**924**



Electric Strike Self Secure 12V DC for Glass

● 10mm ● 313 gr

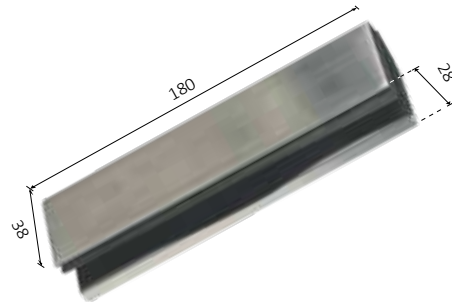
**295**



Electromagnetic Lock 12V DC

● 1830 gr | Finishing .01 **280Kgr [Force]**

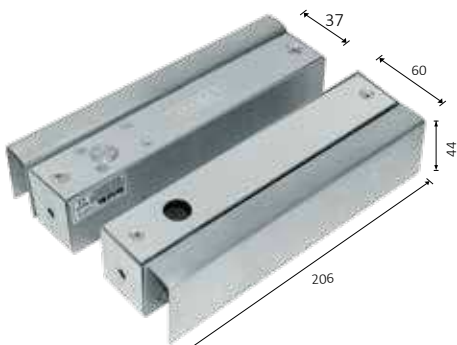
**297**



Additional Support clamp [for plate 295]

● 10-12mm ● 365 gr | Finishing .13 .14

**298**



Additional Electric Bolt AL/R [BOLT FAIL SAFE] 12V DC

● 10-20mm\* ● 2108 gr

\* Up to 20mm Glass

**9334VGL**



UPON REQUEST

Additional Electric Strike EFF-EFF 12V DC for Glass

● 10mm ● 1150 gr | Finishing .01

**258**



Transformer 12V DC KIT

● 679 gr  
Suitable for all electric locks,  
connection with card reader 299 E

**259**



Transformer 12V DC KIT with  
receiver & remote control

● 810 gr  
Suitable for all electric locks, connection with  
card reader 299 E

**296E**



Receiver with Remote Control

● 124 gr Suitable for all electric locks

**294E**



Transformer 12V DC

● 198 gr Suitable for all electric locks

**1700E**



Remote Control

Transformer 12V DC KIT with  
receiver & remote control

● 810 gr  
Suitable for all electric locks, connection with  
card reader 299 E

Receiver with Remote Control

● 124 gr Suitable for all electric locks

**292**



Button Key [External]

● 18 gr  
Suitable for all electric locks

**299E**

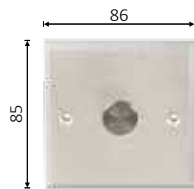


**EXTRA  
CARDS**

Proximity Card Reader 12V DC  
MAX 1000 Cards

● 104 gr

**291A**



Button [Internal Use]

● 164 gr  
Suitable for all electric locks

**291B**



Button [Internal Use]

● 100 gr  
Suitable for all electric locks

**291C**



Button [Internal Use]

● 67 gr  
Suitable for all electric locks

**291MH**

**SIDE**



Wired infrared touchless switch

● 58 gr  
Suitable for all electric locks

**291MHW1**

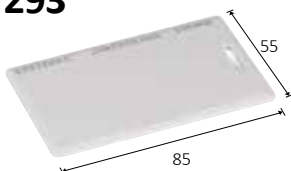


Wireless infrared touchless switch

**291MHW1** = Receiver + 1 infrared touchless switch  
**291MHW2** = Receiver + 2 infrared touchless switch

● 30 gr + 58 gr  
Suitable for all electric locks

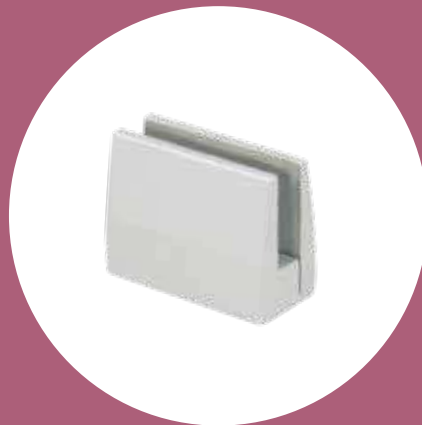
**293**



Card

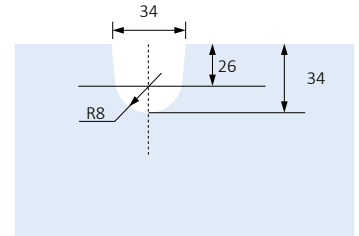
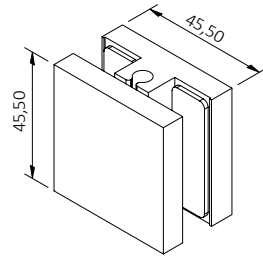
! Noscavo Hydraulic Hinge Closer  
• page 77





clips

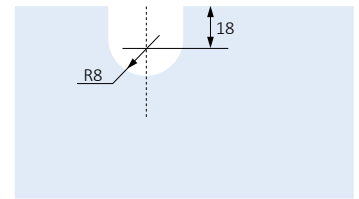
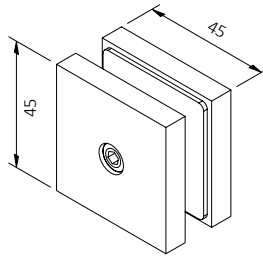
## 401



Wall to Glass Support

8-12mm 98 gr | Finishing .01 .02 .11 .13 .14 .21 .21BLACK .25

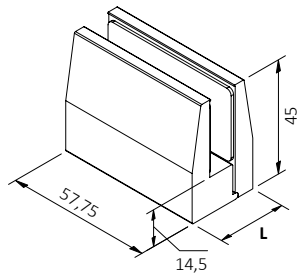
## 402



Glass to Glass Support

8-12mm 93 gr | Finishing .01 .02 .11 .13 .14 .21 .21BLACK .25

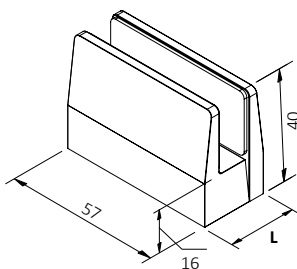
## 850 [ALUMINUM]



		L	
<b>850.10</b>	8- 10 mm	28 mm	125 gr
<b>850.15</b>	12- 16 mm	34 mm	137 gr
<b>850.20</b>	18- 20 mm	38 mm	147 gr

Wall-Self Glass Support | Finishing .01 .02 .21 .21BLACK .25

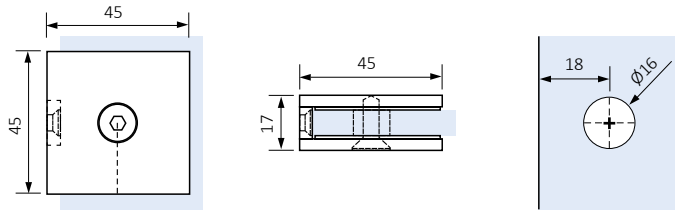
## 850 [STAINLESS STEEL]



		L	
<b>850.10</b>	8- 10 mm	24 mm	195 gr
<b>850.15</b>	12- 16 mm	30 mm	220 gr
<b>850.20</b>	18- 20 mm	35 mm	265 gr

Wall-Self Glass Support | Finishing .13 .14

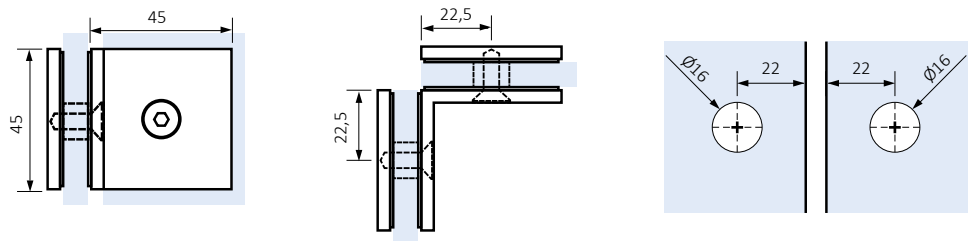
## 460 NEW FINISHING



Wall to Glass Support

6-12mm 150 gr | Finishing .13 .14 .29 .30BN .48BLACK

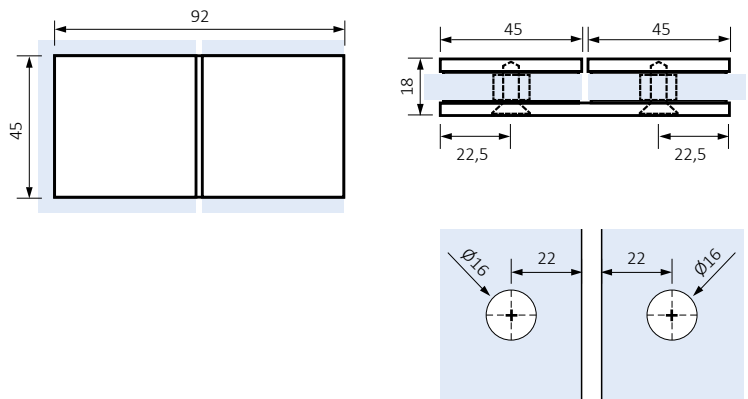
## 461 NEW FINISHING



Angle Glass to Glass Support

6-12mm 304 gr | Finishing .13 .14 .29 .30BN .48BLACK

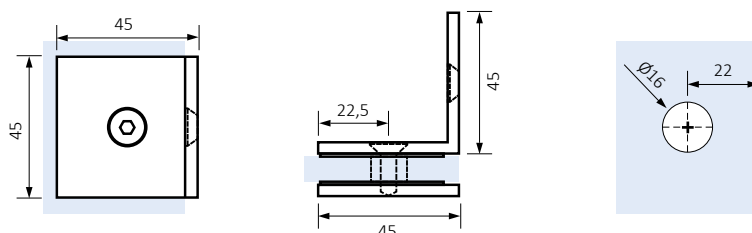
## 463 NEW FINISHING



Double Support

6-12mm 311 gr | Finishing .13 .14 .29 .30BN .48BLACK

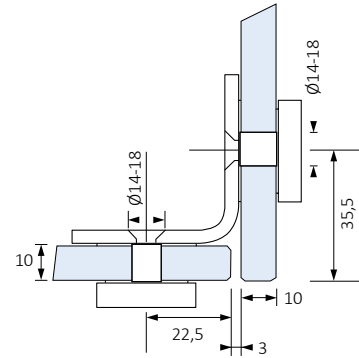
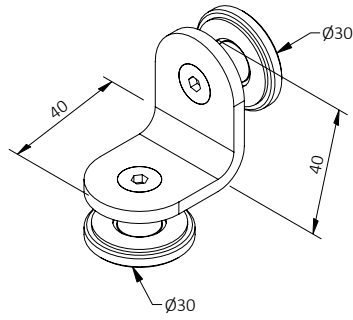
## 464 NEW FINISHING



Angle Glass to Wall Support

6-12mm 216 gr | Finishing .13 .14 .29 .30BN .48BLACK

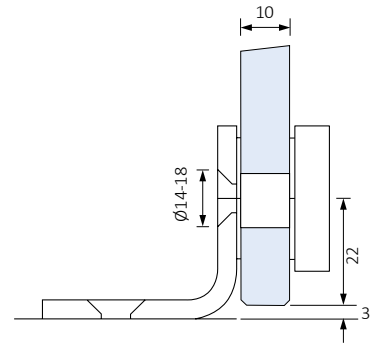
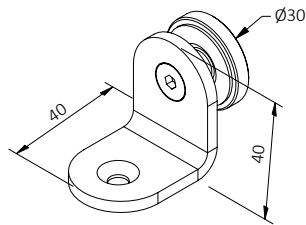
### 414



Round Angle 90° Support Glass to Glass

8-12mm 150 gr | Finishing .09 .10

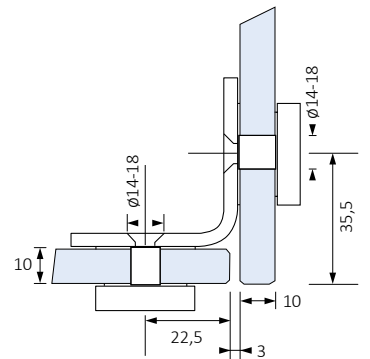
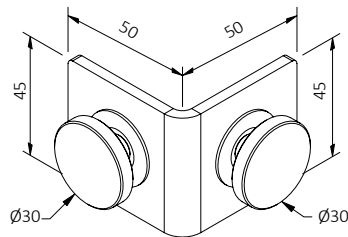
### 415



Round Angle 90° Support Glass to Wall

8-12mm 102 gr | Finishing .09 .10

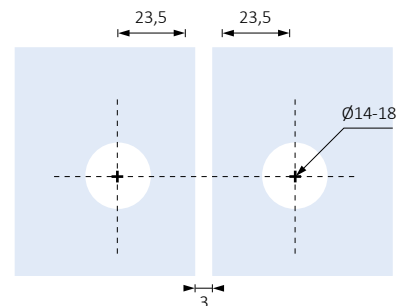
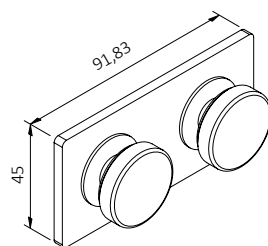
### 471



Angle Support [With Plugs] Glass to Glass

8-12mm 230 gr | Finishing .13 .14

### 472

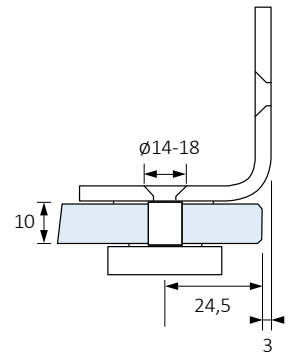
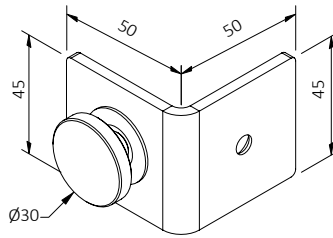


Double Support [With Plugs]

8-12mm 197 gr | Finishing .13 .14



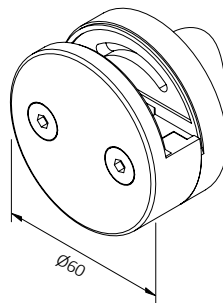
### 474



Angle Support [With Plugs] Glass to Wall

● 8-12mm ● 182 gr | Finishing .13 .14

### 412



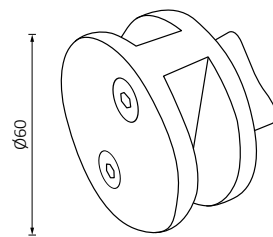
**412**

10mm

Round Clamp Stainless Steel, Ø60mm, for tube Ø42,4mm

AISI 316 ● 10mm ● 366 gr | Finishing .13 .14

### 413



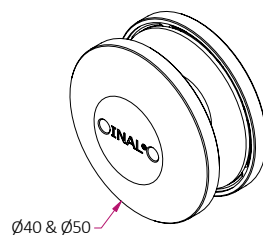
**413**

10mm

Round Clamp Stainless Steel, Ø60mm, for tube Ø42,4mm

AISI 316 ● 10mm ● 398 gr | Finishing .13 .14

### 403 [STAINLESS STEEL]



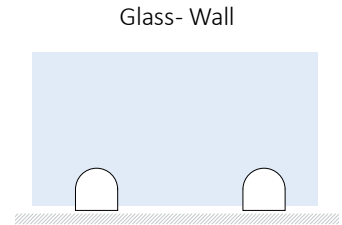
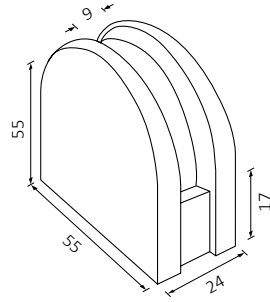
Round Glass to Glass Support Stainless Steel Ø40mm and Ø50mm

● 10-20mm | Finishing .13 .14

CODE	●	Ø	●
403.4010.13	10 mm	Ø40	80 gr
403.4010.14			
403.4012.13	12 mm	Ø40	83 gr
403.4012.14			
403.4015.13	15 mm	Ø40	85 gr
403.4015.14			
403.4020.13	20 mm	Ø40	90 gr
403.4020.14			
403.5010.13	10 mm	Ø50	120 gr
403.5010.14			
403.5012.13	12 mm	Ø50	123 gr
403.5012.14			
403.5015.13	15 mm	Ø50	125 gr
403.5015.14			
403.5020.13	20 mm	Ø50	130 gr
403.5020.14			

Dimensions mm

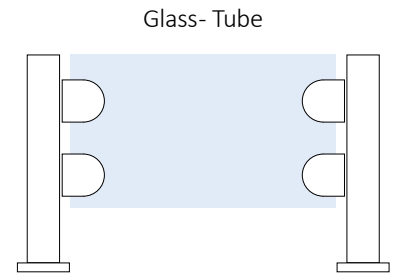
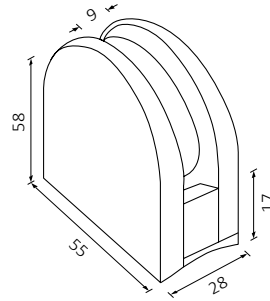
**410** [ZINC ALLOY]



Zinc Alloy Clamp With Flat Base 55mm

8-10mm 170 gr | Finishing .15 .16

**411** [ZINC ALLOY]



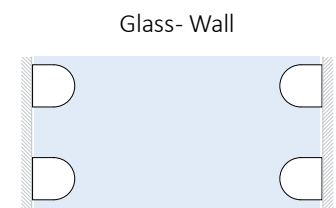
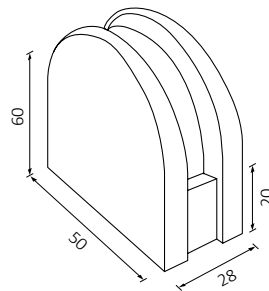
Zinc Alloy Clamp 55mm

8-10mm 179 gr | Finishing .15 .16

**410** [STAINLESS STEEL]



Glass Stopper



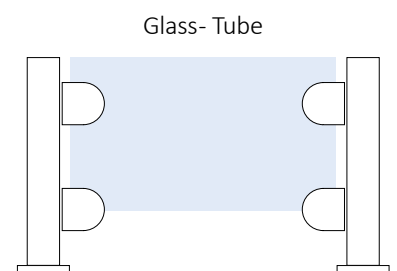
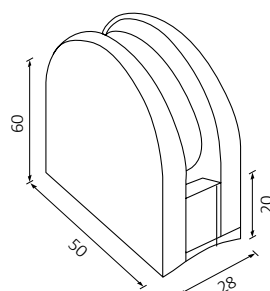
Clamp Large Stainless Steel 50mm

8-13mm 247 gr | Finishing .13 .14

**411** [STAINLESS STEEL]



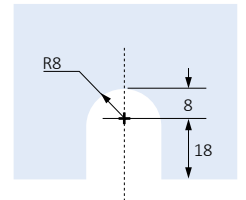
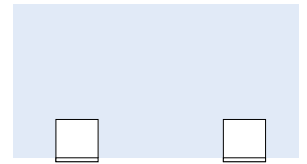
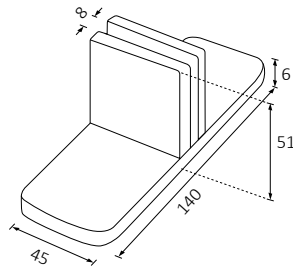
Glass Stopper



Clamp Large Curved Base 50mm Stainless Steel

8-13mm 238 gr | Finishing .13 .14

## 1620.414045.14

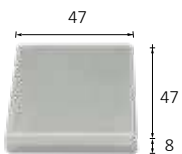


Fireplace Glass Clip base

6/10mm 541 gr | Finishing .14

## cover for clips

### 2103



Cover for Supports [for 401-402]

23 gr | Finishing .07 .08 .13 .14 .21 .21BLACK .25



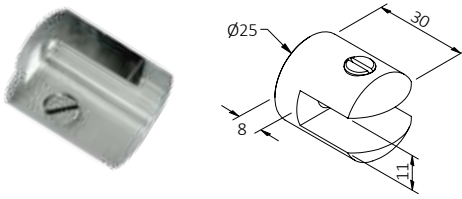
! Glass Locks  
page 32





## support & spacers

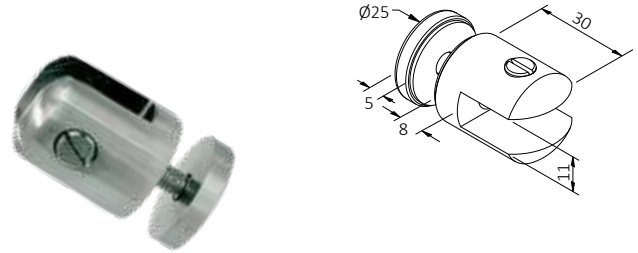
**801**



Glass-Self Support  $\varnothing 25 \times 30$

8-10mm 67 gr | Finishing .09 .10 .11

**802**

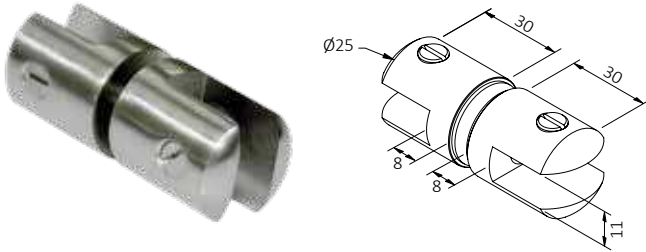


Glass-Self Support with End Stop  $\varnothing 25 \times 35$

8-10mm 98 gr | Finishing .09 .10 .11



**803**

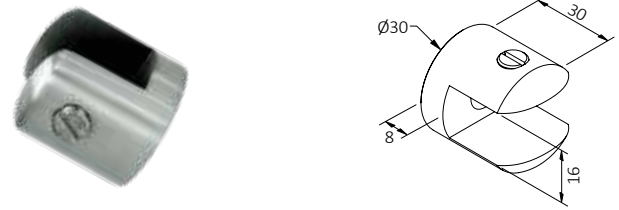


Double Glass-Self Support  $\varnothing 25 \times 30$

8-10mm 138 gr | Finishing .09 .10 .11



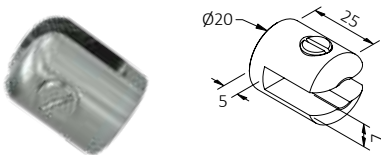
**806**



Glass Self-Support  $\varnothing 30 \times 30$ , 15mm

15mm 86 gr | Finishing .09 .10 .11

**821**



Small Glass-Self Support 5mm  $\varnothing 20 \times 25$

5mm 38 gr | Finishing .09 .10 .11

**829**



Glass Self-Support Aluminum  $\varnothing 20 \times 30$ mm, 10mm

10mm 13 gr  
Finishing .01 .21 .21BLACK .33

**840**



Glass Self-Support Aluminum  $\varnothing 16 \times 20$ mm, 7mm

7mm 8 gr  
Finishing .01 .21 .21BLACK .33W

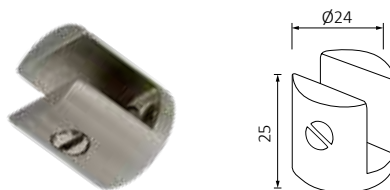
**842**



Glass clamp small ZINC ALLOY  $\varnothing 20 \times 20$ , 6mm

6mm 23 gr | Finishing .15 .16

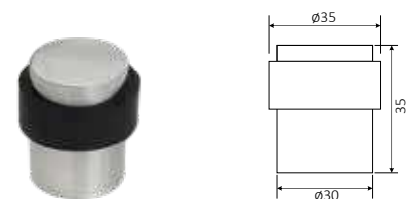
**843**



Glass clamp ZINC ALLOY  $\varnothing 24 \times 25$ , 10mm

10mm 39 gr | Finishing .15 .16

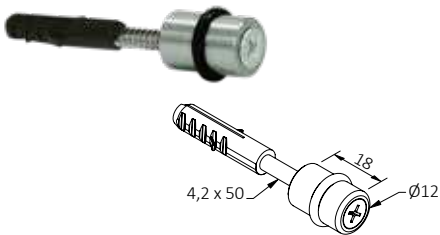
**804.35/40 NEW**



Wall-Self Support/ Door Stop

215 gr | Finishing .13 .14 .48BLACK

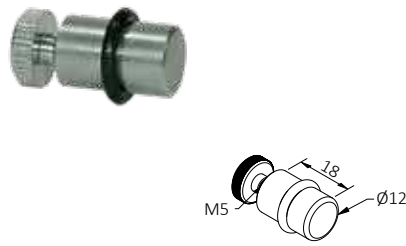
**810**



Wall-Self Support Ø12

● 13 gr | Finishing .09 .10 .11

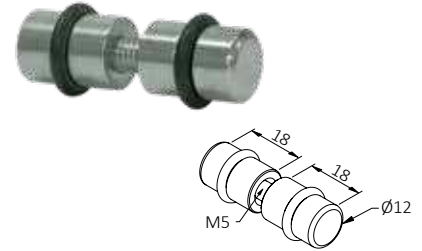
**811**



Self Support with End Stop Ø12

● 20 gr | Finishing .09 .10 .11

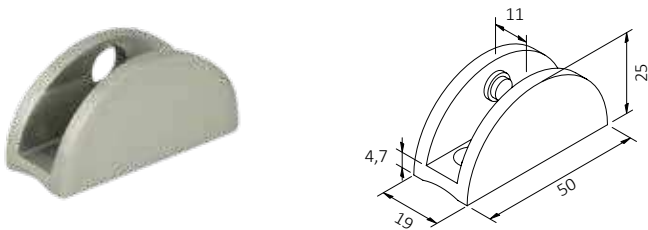
**812**



Double Self Support Ø12

● 32 gr | Finishing .09 .10 .11

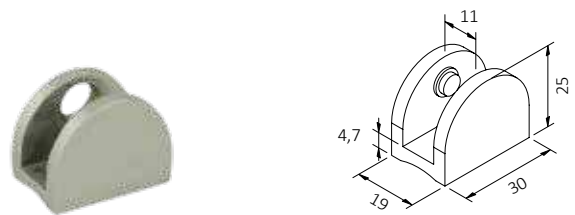
**816**



Support [Half Moon] 50mm

● 8-10mm ● 79 gr | Finishing .09 .10 .11

**817**

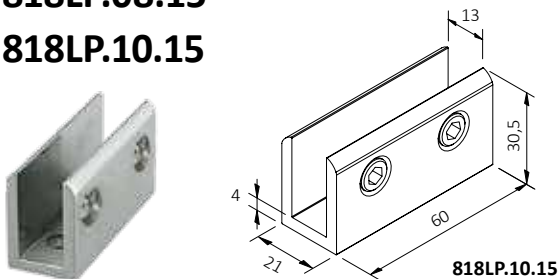


Support [Half Moon] Small 30mm

● 8-10mm ● 52 gr | Finishing .09 .10 .11

**818LP.08.15**

**818LP.10.15**

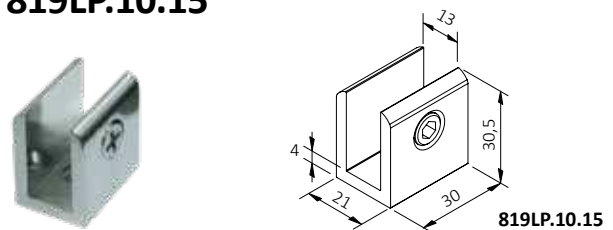


Rectangular Support

818LP.08.15=8mm, 818LP.08.15=10-12mm ● 54 gr  
| Finishing .15 .16

**819LP.08.15**

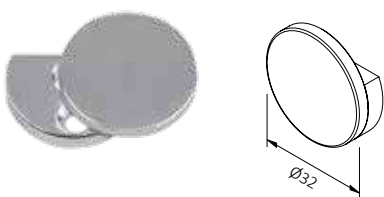
**819LP.10.15**



Rectangular Small Support

● 819LP.08.15=8mm, 819LP.08.15=10-12mm ● 36 gr  
| Finishing .15 .16

**890**



Mirror Support Ø32

● 4-6mm ● 46 gr | Finishing  
.09 .10 .11

**831**



Glass-Self Support 20x20 made of Glass

● 17 gr

**832**

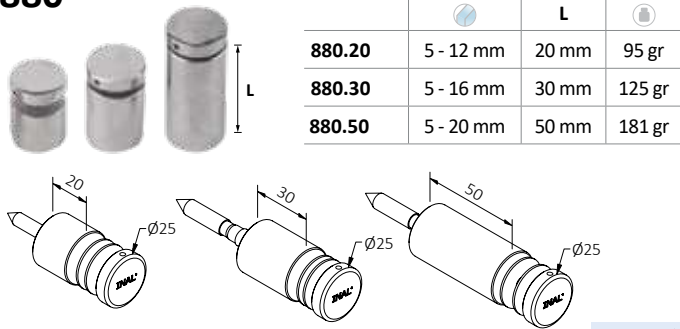


Glass-Self Support made of glass Ø22

● 16 gr

SUPPORT & SPACERS

**880**



		L	
<b>880.20</b>	5 - 12 mm	20 mm	95 gr
<b>880.30</b>	5 - 16 mm	30 mm	125 gr
<b>880.50</b>	5 - 20 mm	50 mm	181 gr

Spacer Ø25 | Finishing .09 .10 .11 .21BLACK



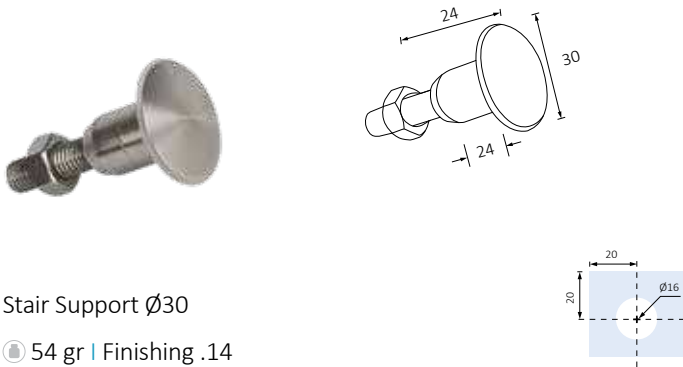
**881**



		L	
<b>881.20</b>	8- 10 mm	20 mm	141 gr
<b>881.30</b>	8- 10 mm	30 mm	172 gr
<b>881.50</b>	8- 10 mm	50 mm	229 gr

Glass-Self Spacer Ø25 | Finishing .09 .10 .11

**1656**

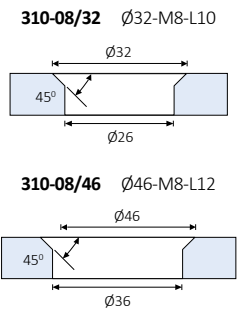


Stair Support Ø30  
54 gr | Finishing .14

**310-08/32**

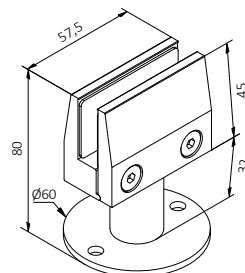
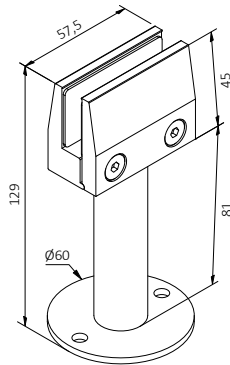


**310-08/46**



Cone Head PLR Ø32-M8 & Ø46-M8, Stainless Steel  
27 gr | Finishing .13 .14

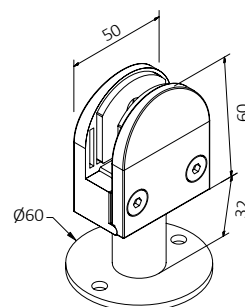
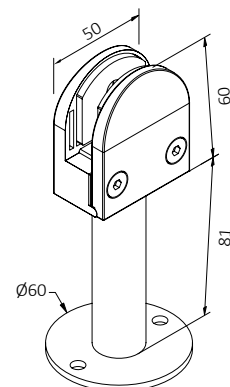
**882**



**Dimensions**  
50mm  
& 100mm

Fixed Stainless steel Spacer 100mm & 50mm  
for Glass 8-10mm, 12-16mm, 18-20mm | Finishing .13 .14

**883**



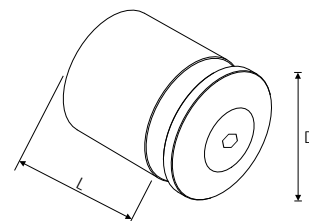
**Dimensions**  
50mm  
& 100mm

Fixed Stainless steel [Curved Zinc Alloy] Spacer 100mm & 50mm  
for Glass 8mm~13mm | Finishing .13 .14

**SPECIAL DIMENSIONS UPON REQUEST**



## 884 SERIES FIXED NEW



CODE	D	L
884.30/50/14MS.304	∅50 mm	30 mm
884.40/40/14MS.304	∅40 mm	40 mm
884.40/50/14MS.304	∅50 mm	40 mm
884.40/50/14MS.316	∅50 mm	40 mm
884.50/50/14MS.316	∅50 mm	50 mm

Available for Glass from  
10mm up to 22mm

Fixed Glass Spacer Stainless steel

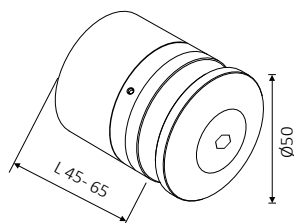
Finishing Satin

∅20- ∅25



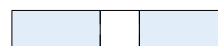
## 885.45 ADJUSTABLE

Adjustment  
from 45 up to 65mm



Available for Glass from  
10mm up to 22mm

∅20- ∅25

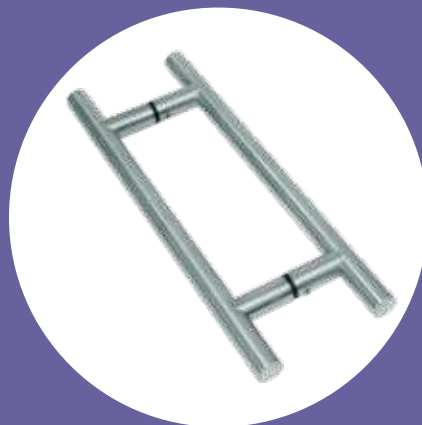


Adjustable Glass Spacer, Stainless steel,  
Finishing .13 .14



! Glass Showers  
• page 77





handles

HANDLES

**601**



Round Glass Door Handle  
Ø150x15mm

1565 gr | Finishing .13 .14

**602**



Octagon Glass Door Handle  
15mm

1560 gr | Finishing .13 .14

**605**



Round Glass Door Handle Ø90x15mm

589 gr | Finishing .13 .14

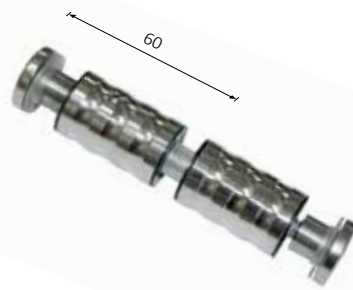
**606**



Opaque Satin Round Glass Door  
Handle Ø150x15mm

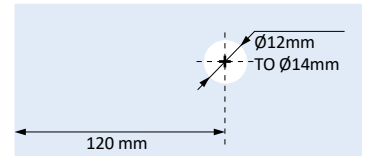
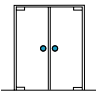
1390 gr | Finishing .13 .14

**624**



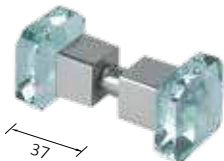
Rod for Handle Stainless steel

184 gr | Finishing .13



Cutting and hole for 601, 602,  
605, 606, and cone head 624

**610**



Prismatic Glass Door Handle 35x35

206 gr | Finishing .09

**619.50**



Round Door Handle Stainless Steel

6-11,52mm 166 gr  
Finishing .13 .14 .48BLACK

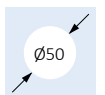


**619.50SQ** NEW



Square Door Handle Stainless Steel

8-12mm 371 gr  
Finishing .13 .14 .48BLACK



**604.40**



Door Handle Ø40

622 gr | Finishing .13 .14 .21 .21BLACK



**604.50**



Door Handle Ø50

1240 gr  
Finishing .13 .14 .21 .21BLACK

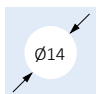


**604.75**



Door Handle Ø75

1020 gr | Finishing .23 .24



**627.38**



Door Handle Ø38

● 323 gr | Finishing .01 .03 .04 .21BLACK

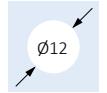
**628.30**



Handle for Shower Ø30

● 180 gr | Finishing 03 .04 .21BLACK

**628.30AD NEW**



Handle for Shower D30mm \*30  
Finishing 03 .48BLACK

**632.SQ NEW**



Square Glass Door Handle  
28\*28\*\*33mm

● 50 gr | Finishing .03 .04

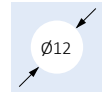
**622.30**



Handle for Shower Ø30

● 305 gr | Finishing L=30 mm .03 .04  
.13 .14 .21BLACK

**623.30**



Handle for Shower Ø30

● 288 gr | Finishing .13 .14

**629.32**



Round Handle Ø32

● 102 gr | Finishing .03 .21BLACK

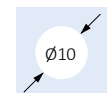
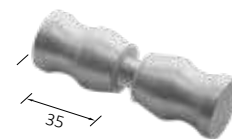
**612.50**



Handle Opaque Satin Glass Ø50

● 415 gr | Finishing .09

**639.25**



Handle Ø25

● 150 gr | Finishing .01 .25

**629.50**



Round Handle Ø50

● 400 gr | Finishing .03 .21BLACK

**613.40**

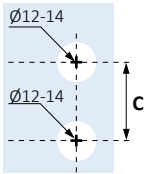


Glass Handle Ø40

● 212 gr | Finishing .09

### 640

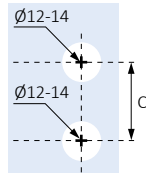
DIAMETER	L [LENGTH]	C [CENTER]
Ø32	500	360
	700	500
	1000	800
	1200	1000
	1400	1200
	1800	1600



Stainless steel Handle H Ø32  
Finishing .13 .14 .21BLACK

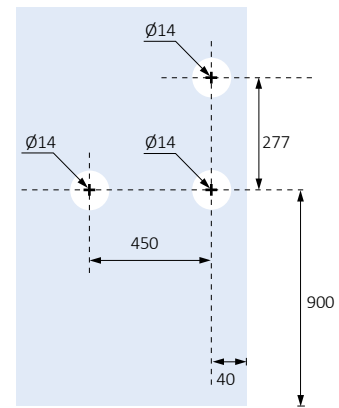
### 631

DIAMETER	L [LENGTH] / C [CENTER]
Ø32	360
	500
	600
	800
	900
	1200
	1600
	1800



Stainless steel Handle "Π"  
Finishing .13 .14

### 651.45/28.13



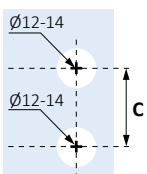
Stainless steel Shower Handle 450 x 280mm  
Finishing .13 .14

### 644

DIAMETER	L [LENGTH]	C [CENTER]
Ø32	500	360
	700	500
	1000	800
	1200	1000
	1400	1200
	1800	1600



for Ø32



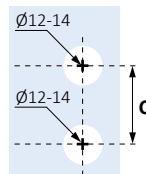
Stainless steel Handle Ø32 Single  
with cap and handle | Finishing .13 .14

### 646

DIAMETER	L [LENGTH]	C [CENTER]
Ø32	500	360
	700	500
	1000	800
	1200	1000
	1400	1200
	1800	1600

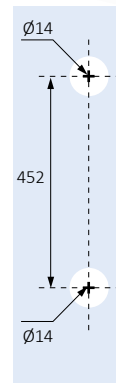


for Ø32



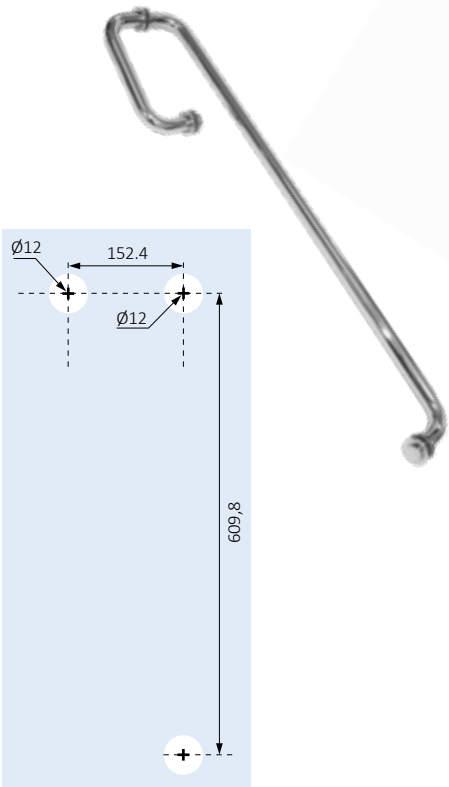
Stainless steel Handle Ø32 Single with  
caps | Finishing .13 .14

### 644.2545.13



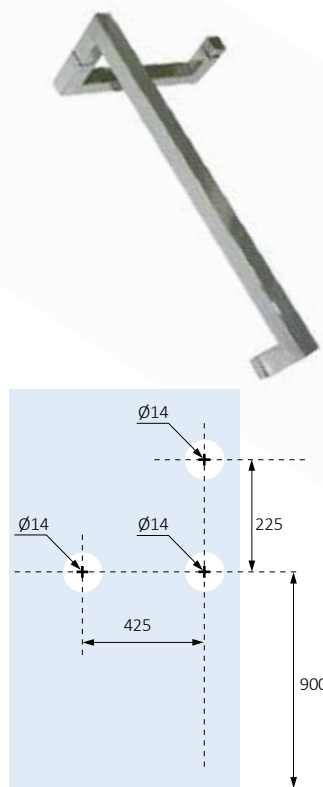
Stainless steel Handle Single "Π"  
Finishing .13

**651.61/15** **NEW**



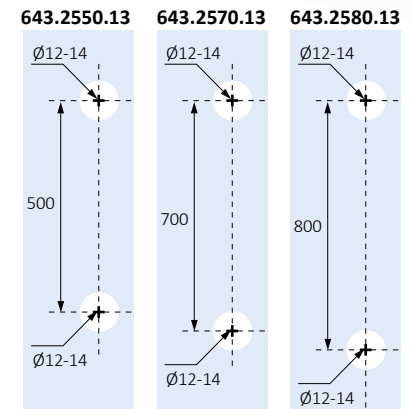
Stainless steel Shower Handle "2Π" 610/150  
Finishing .13 .14 .48BLACK

**651.45/25.13**



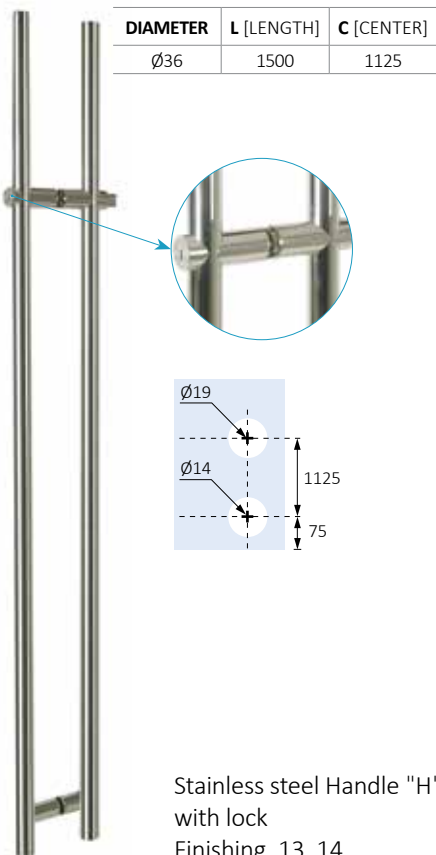
Stainless steel Shower Handle "2Π"  
Finishing .13

**643.2550.13** **643.2570.13**  
**643.2580.13**



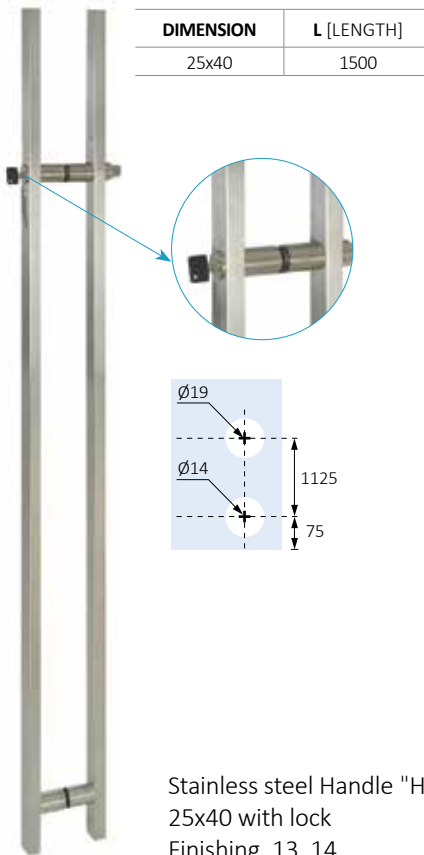
Stainless steel Shower Handle "Π"  
Finishing .13

**642**



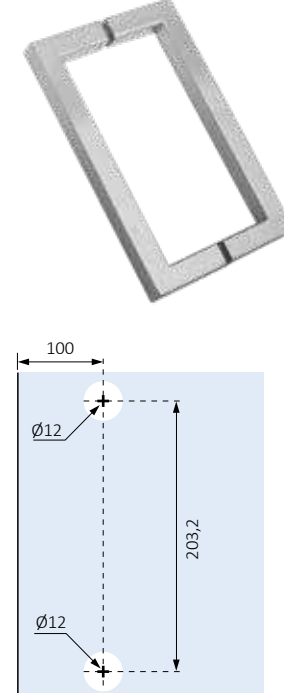
Stainless steel Handle "H"  
with lock  
Finishing .13 .14

**643**

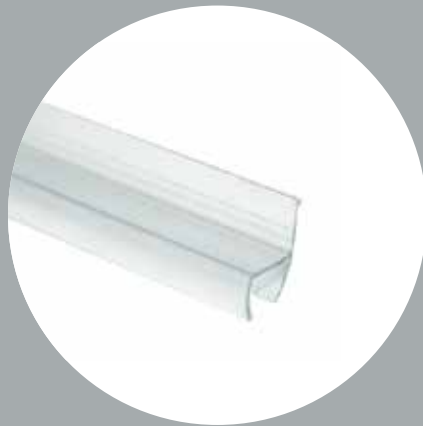


Stainless steel Handle "H"  
25x40 with lock  
Finishing .13 .14

**643.1920** **NEW**



Stainless steel  
Shower Handle "Π"  
Finishing .13 .14 .48BLACK



proofing



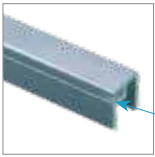
## Aluminum Profile



### 701, Brush in Aluminum Bar

	⊙	L [m]	⊙
701.22	10	2,20	365 gr
701.25	10	2,50	415 gr
701.30	10	3,00	500 gr
701.55	10	3,50	910 gr

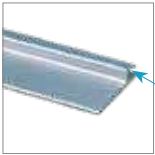
Finishing .01 .21 .25



### 752, Aluminum Bar Housing 90° L/M

⊙ 190 gr/m | Finishing .01 .21 .25

FOR CODE 703

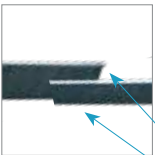


### 751, Aluminum Bar Housing

⊙ 90 gr/m | Finishing .00 .01 .21 .25 .45

FOR CODE 703

## Brush for Aluminum Profile



### 703, Brush 18/35/50mm Length 1,00m

⊙ 75-89 gr/m

**Combined!!**

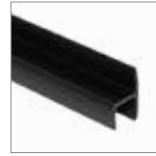
WITH 751 & 752, [POLYAMIDE]

## Profile "h"



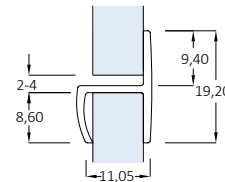
### 1400, PVC+UV

	⊙	L [m]	⊙	
1400.10.25	10	2,50	190 gr	PVC+UV
1400.10.30	10	3,00	225 gr	PVC+UV
1400.12.25	12	2,50	190 gr	PVC+UV
1400.12.30	12	3,00	225 gr	PVC+UV
1400.12.35	12	3,50	260 gr	PVC+UV
1400.10.25BLACK	10	2,50	195 gr	PVC+UV
1400.10.30BLACK	10	3,00	230gr	PVC+UV
1400.12.30BLACK	10	3,00	230gr	PVC+UV



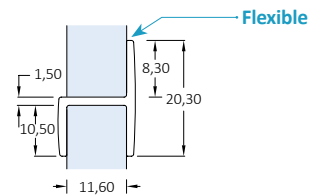
### 1440, POL/TE, EXTRA CLEAR

	⊙	L [m]	⊙	
1440.10.25	10	2,50	190 gr	POL/TE
1440.10.30	10	3,00	225 gr	POL/TE



### 1401, PVC+UV

	⊙	L [m]	⊙	
1401.10.25	10	2,50	162 gr	PVC+UV
1401.10.30	10	3,00	225 gr	PVC+UV

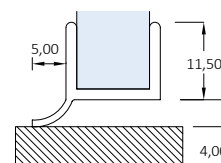


## Profile with Flexible Stop



### 1403, PVC+UV

	⊙	L [m]	⊙	
1403.25	10	2,50	220 gr	PVC+UV
1403.30	10	3,00	220 gr	PVC+UV

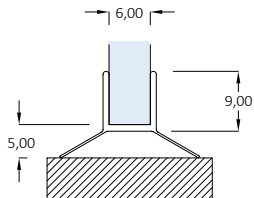


## Profile with Flexible Stop



**1421**, Double, PVC+UV

		L [m]		
<b>1421.06.20</b>	6	2,00	120 gr	PVC+UV
<b>1421.06.22</b>	6	2,20	120 gr	PVC+UV

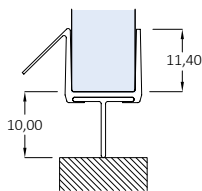


## Profile for Showers



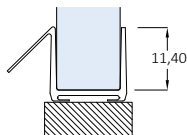
**1402**, PVC+UV

		L [m]		
<b>1402.08.25</b>	8	2,50	290 gr	PVC+UV
<b>1402.10.25</b>	10	2,50	335 gr	PVC+UV
<b>1402.10.30</b>	10	3,00	350 gr	PVC+UV



**1404**, without "T", PVC+UV

		L [m]		
<b>1404.08.25</b>	8	2,50	350 gr	PVC+UV
<b>1404.10.25</b>	10	2,50	290 gr	PVC+UV
<b>1404.10.30</b>	10	3,00	350 gr	PVC+UV

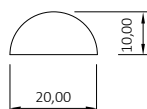


## Curved Profile Extra Clear



**1444.2010.10**, Weatherproofing  
POL/TE, EXTRA CLEAR

		L [m]		
<b>1444.2010.10</b>	10	1,00	189 gr	POL/TE



## Profile with Magnet



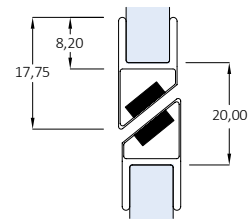
**1423**, PVC+UV

		L [m]		
<b>1423.06.20</b>	6	2,00	380 gr	PVC+UV
<b>1423.06.22</b>	6	2,20	390 gr	PVC+UV



**1413**, PVC+UV

		L [m]		
<b>1413.10.22</b>	10	2,20	420 gr	PVC+UV
<b>1413.25BLACK</b>	10	2,50	450 gr	PVC+UV



## Profile "H"



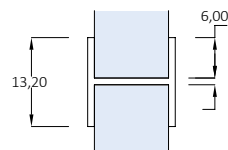
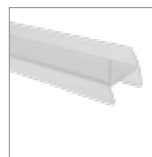
**1442**, PVC+UV

		L [m]		
<b>1442.10.25</b>	10	2,50	145 gr	PVC+UV
<b>1442.10.30</b>	10	3,00	170 gr	PVC+UV
<b>1442.11.30</b>	11	3,00	175 gr	PVC+UV
<b>1442.10.25BLACK</b>	10	2,50	170 gr	PVC+UV



**1438** POL/TE, EXTRA CLEAR

		L [m]		
<b>1438</b>	10	3,00	170 gr	POL/TE

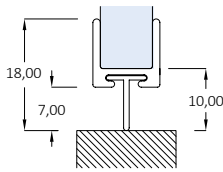


## Profile "Π" with Flexible "T"



### 1409, "Π" with Flexible "T", PVC+UV

	⊙	L [m]	⊙	
1409.08.25	8	2,50	260 gr	PVC+UV
1409.08.30	8	3,00	310 gr	PVC+UV
1409.10.25	10	2,50	260 gr	PVC+UV
1409.10.30	10	3,00	310 gr	PVC+UV
1409.10.35	10	3,50	360 gr	PVC+UV
1409.12.25	12	2,50	260 gr	PVC+UV
1409.12.30	12	3,00	310 gr	PVC+UV



## Profile "Π"



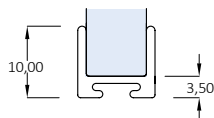
### 1415, PVC+UV

	⊙	L [m]	⊙	
1415.08.25	8	2,50	180 gr	PVC+UV
1415.08.30	8	3,00	220 gr	PVC+UV
1415.10.25	10	2,50	180 gr	PVC+UV
1415.10.30	10	3,00	220 gr	PVC+UV
1415.10.35	10	3,50	255 gr	PVC+UV
1415.12.25	12	2,50	180 gr	PVC+UV
1415.12.30	12	3,00	220 gr	PVC+UV
1415.12.35	12	3,50	255 gr	PVC+UV
1415.10.25BLACK	10	2,50	200 gr	PVC+UV



### 1441 POL/TE, EXTRA CLEAR

	⊙	L [m]	⊙	
1441.10.25	10	2,50	180 gr	POL/TE
1441.10.30	10	3,00	220 gr	POL/TE



## Profile with Flexible Angle



### 1422, 15mm / 24mm, PVC+UV

	⊙	L [m]	⊙	
1422.10.15.25	8-10	2,50	220 gr	PVC+UV
1422.10.24.25	8-10	2,50	220 gr	PVC+UV
1422.10.12.30	8-10	3,00	130 gr	PVC+UV

#### Profile 12mm

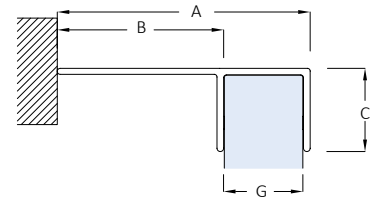
A: 25mm  
B: 12mm  
C: 111mm

#### Profile 15mm

A: 29mm  
B: 15mm  
C: 12,5mm

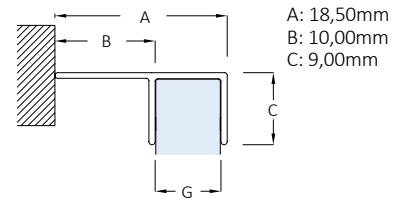
#### Profile 24mm

A: 38mm  
B: 24mm  
C: 12,5mm



### 1422, PVC+UV

	⊙	L [m]	⊙	
1422.06.20	6	2,00	132 gr	PVC+UV
1422.06.22	6	2,20	132 gr	PVC+UV



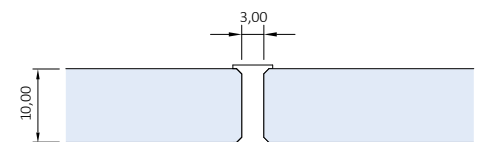
## Profile Extra Clear



### 1446.10.30 profile, POL/TE, EXTRA CLEAR

	⊙	L [m]	⊙	
1446.10.30	10	3,00	88 gr	POL/TE

Intermediate connection profile  
glass to glass



## Profile "Π" with Bubble ♀



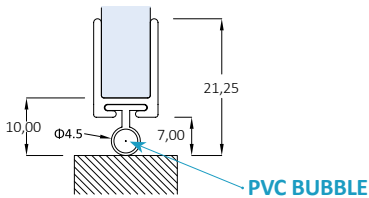
### 1405, "Π" + ♀ PVC, PVC+UV

	♂	L [m]	♀	
1405.08.25	8	2,50	240 gr	PVC+UV
1405.08.30	8	3,00	290 gr	PVC+UV
1405.10.25	10	2,50	240 gr	PVC+UV
1405.10.30	10	3,00	290 gr	PVC+UV
1405.12.30	12	3,00	290 gr	PVC+UV



### 1445, "Π" + ♀ PVC, POL/TE, EXTRA CLEAR

	♂	L [m]	♀	
1445.10.25	10	2,50	240 gr	POL/TE
1445.10.30	10	3,00	290 gr	POL/TE



## Profile with Brush



### 1412, PVC+UV

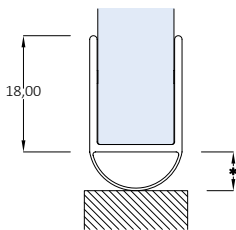
	♂	L [m]	♀	
1412.08.12.25	8	2,50	155 gr	PVC+UV
1412.10.08.25	10	2,50	155 gr	PVC+UV
1412.10.08.30	10	3,00	210 gr	PVC+UV
1412.10.08.35	10	3,50	245 gr	PVC+UV
1412.10.12.25	10	2,50	155 gr	PVC+UV
1412.10.12.30	10	3,00	210 gr	PVC+UV
1412.10.12.35	10	3,50	245 gr	PVC+UV
1412.10.18.25	10	2,50	155 gr	PVC+UV
1412.10.18.30	10	3,00	210 gr	PVC+UV
1412.12.08.30	12	3,00	210 gr	PVC+UV
1412.12.08.35	12	3,50	245 gr	PVC+UV
1412.12.12.30	12	3,00	210 gr	PVC+UV
1412.12.12.35	12	3,50	245 gr	PVC+UV
1412.12.18.30	12	3,00	210 gr	PVC+UV
1412.12.18.35	12	3,50	245 gr	PVC+UV



### 1435, Large Bubble, PVC+UV

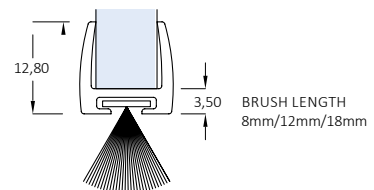
	♂	L [m]	*	♀	
1435.10.06.25	10	2,50	6	270 gr	PVC+UV
1435.10.07.25	10	2,50	7	270 gr	PVC+UV
1435.10.08.25	10	2,50	8	270 gr	PVC+UV

\* Bubble Length



### 1443, POL/TE, EXTRA CLEAR

	♂	L [m]	♀	
1443.10.08.25	10	2,50	155 gr	POL/TE
1443.10.08.30	10	3,00	210 gr	POL/TE
1443.10.12.25	10	2,50	210 gr	POL/TE
1443.10.12.30	10	3,00	210 gr	POL/TE
1443.10.18.25	10	2,50	155 gr	POL/TE
1443.10.18.30	10	3,00	210 gr	POL/TE

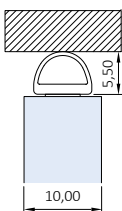


## Transparent Bubble Profile



### 1406, Ø8 TRANSPARENT, PVC+UV

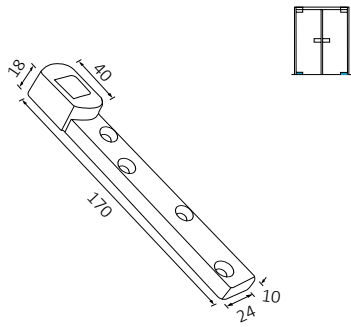
	♂	L [m]	♀	
1406.10.30	10	3,00	85 gr	PVC+UV





## bracket & pivot

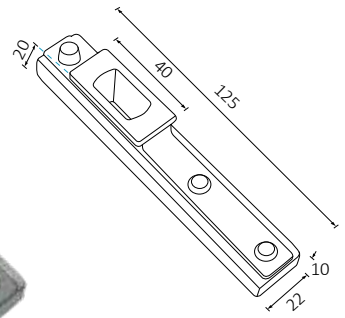
**1003**



Bracket AL-R, Galvanized Steel

● 342 gr | Finishing .31

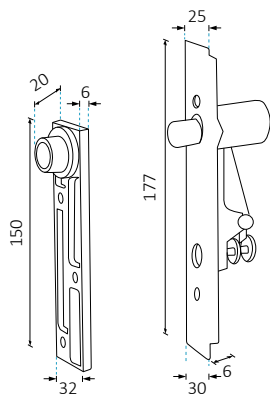
**FRP75-17**



Lower Bracket FRP75 SF, Stainless Steel

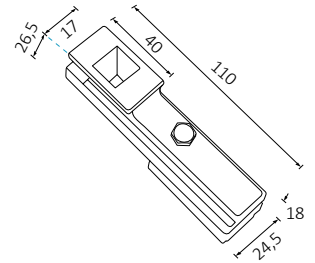
● 190 gr

**1004**



Pivot AL-R ZYNC ALLOY ● 450 gr

**FN200-17**

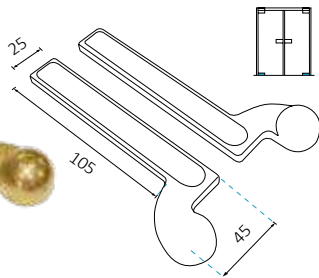


Lower Bracket FN200, Stainless Steel

● 356 gr

**1005**

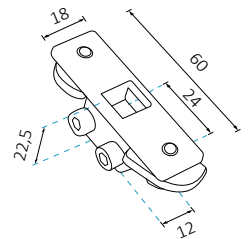
**1006**



**1005** Bracket Left Casted Brass ● 306 gr

**1006** Bracket Right Casted Brass ● 296 gr

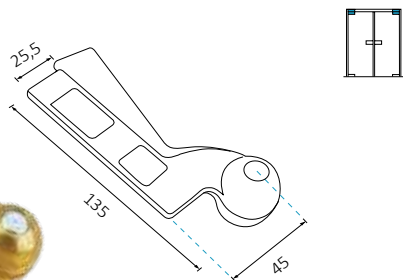
**PR100-17**



Lower Bracket PR100 SF, Stainless Steel

● 80 gr

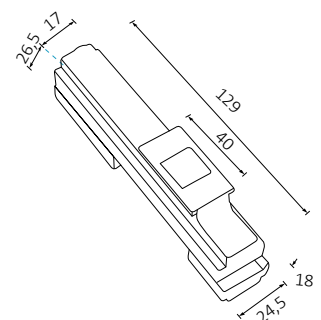
**1007**



Pivot Left/Right

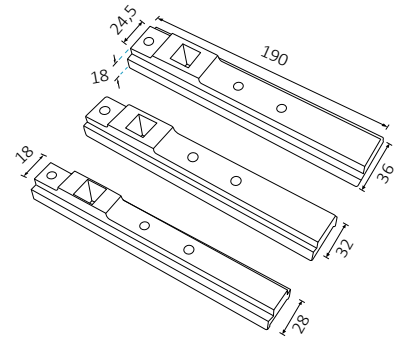
● 459 gr | Finishing Casted Brass

**PR200-17**



Lower Bracket PR200 SF, Stainless Steel

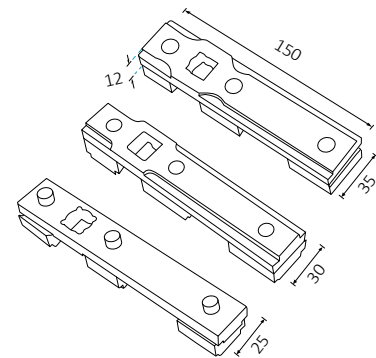
**1220.10 1220.15 1220.20**



Lower Bracket Stainless Steel

● 362, 420, 458 gr

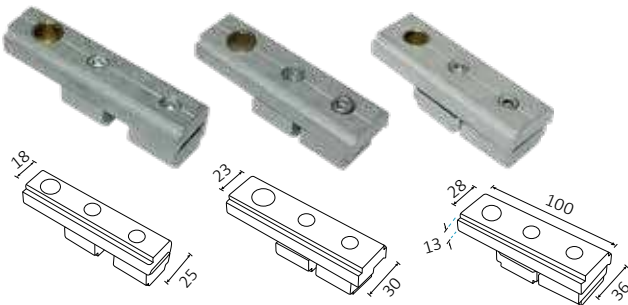
**1120.10 1120.15 1120.20**



Lower Bracket , Galvanized Steel

● 286, 462, 536 gr | Finishing .31

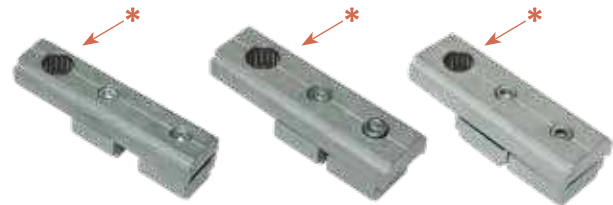
**1130.10 1130.15 1130.20**



Upper pivot Aluminum

● 120, 144, 174 gr | Finishing .00

**1130.HD.12 1130.HD.15 1130.HD.20**



Heavy Duty Upper pivot Aluminum with embedded bearing \*

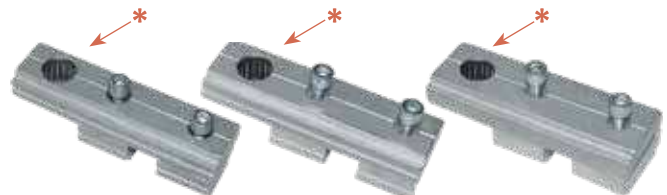
● 120, 144, 174 gr | Finishing .00

**1230.10 1230.15 1230.20**

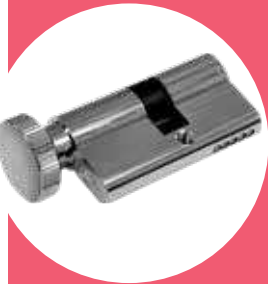


Upper pivot Aluminum  
Finishing .00

**1230.HD.12 1230.HD.15 1230.HD.20**

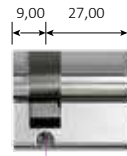


Heavy Duty Upper pivot Aluminum with embedded bearing \*  
Finishing .00



cylinders

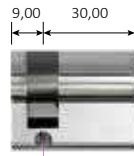
**2200.19**



Half Cylinder 36mm

● 120 gr

**2201.19**



Security Half Cylinder

39mm I ● 185 gr

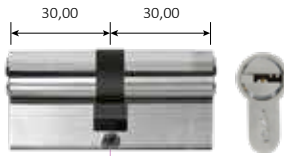
**2202.19**



Cylinder 54 mm

● 178 gr

**2203.19**



Security Cylinder 60mm

● 230 gr

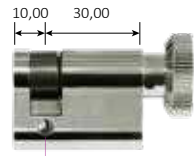
**2204.19**



Cylinder with knob

● 200 gr

**2209.19**



Half Cylinder with knob

● 125 gr

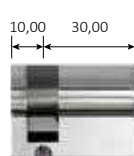
**2207.19**



Half Cylinder with Knob

● 110 gr

**2226.19**



Security Half Cylinder

40mm I ● 185 gr

**2227.19** [WC APPLICATION]



Cylinder 60mm, with knob and coin slot for VL155

● 170 gr

**2229.19**



Security Cylinder 60mm, for VL155

● 110 gr

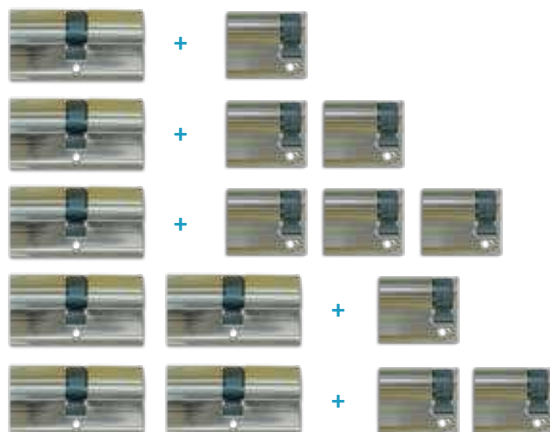
**2228.19**



Security Cylinder 60mm, with knob for VL155

● 170 gr

cylinder combinations with same key



Simple key  
5 pins



Safety key  
5 pins



**2210**

**2220**

**2211**

**2221**

**2212**

**2222**

**2213**

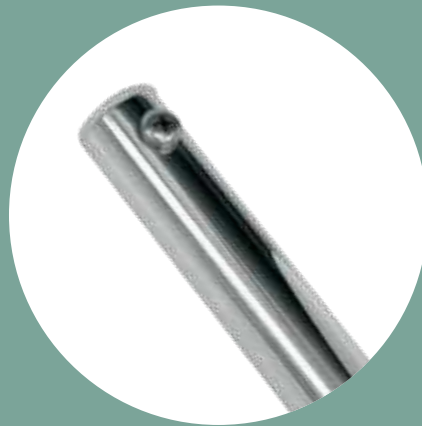
**2223**

**2214**

**2224**

Dimensions mm





## shower supports



## Aquafold

Shower Door with INAL® Hinges and Handle

### 172.G



Hinge G-G

8-10mm 58,50 gr

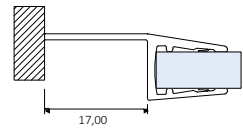
Finishing .21 .29 .40 .48 BLACK

### 1427.6/8.17.22

PVC Profile, Straight Line 17mm

Material: PVC+UV

CODE	8-10mm	L [m]	58,50 gr
<b>1427.6/8.17.22</b>	6-8	2,20	160 gr
<b>1427.6/8.17.22BLACK</b>	6-8	2,20	160 gr



### 172.W



Hinge G-W

8-10mm 50 gr

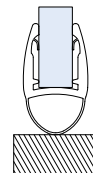
Finishing .29 .40 .48 BLACK

### 1435.6/8.07.22

PVC Profile, Bubble 7mm

Material: PVC+UV

CODE	8-10mm	L [m]	150 gr
<b>1435.6/8.07.22</b>	6-8	2,20	150 gr
<b>1435.6/8.07.22BLACK</b>	6-8	2,20	150 gr



### 625.38 **NEW FINISHING**



Handle Ø38

75 gr

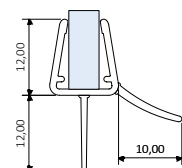
Finishing .03 .04 .21BLACK

### 1428.6/8.12.22

PVC Profile, for showers 12 mm

Material: PVC+UV

CODE	8-10mm	L [m]	150 gr
<b>1428.6/8.12.22</b>	6-8	2,20	150 gr
<b>1428.6/8.12.22BLACK</b>	6-8	2,20	150 gr



**1709**



Profile 46 x 21,5 mm  
Finishing .25

**1713.S**



Side Cup for profile 1709  
Trasparent Plastic  
● 10 gr

**1714.S**



Profile 90° for profile 1709  
PLastic Chrome Plated  
● 22 gr

**1711**



Roller for 1709 & 1710  
● 20 gr

**1712.VER2020**



Stopper for shower door  
● 2 gr

**1715**

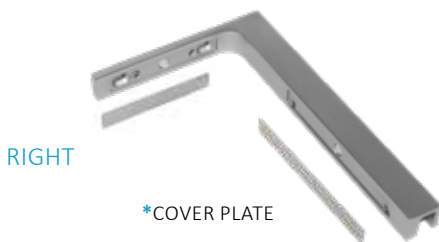


Rubber Joint for 1709



**196.GW140220** NEW

\*With cover plate

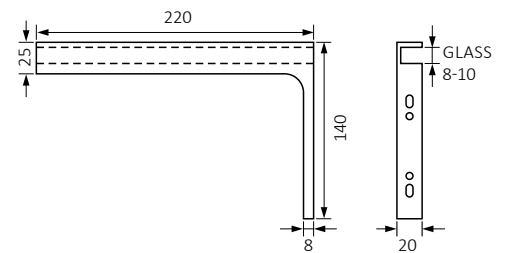
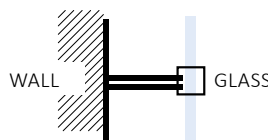


RIGHT

\*COVER PLATE

Bathroom Rectangular Rod Support  
LEFT OR RIGHT G-W

● 8-10mm ● 662 gr | Finishing .29 .30BN .48BLACK



**196.GG140220** NEW

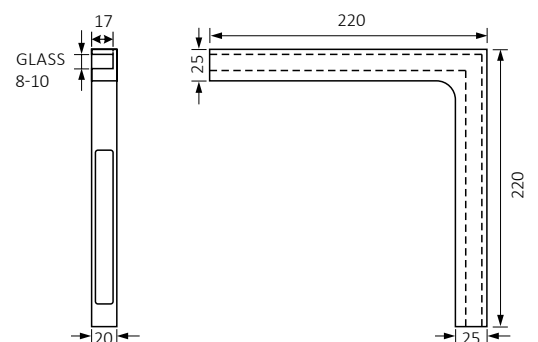
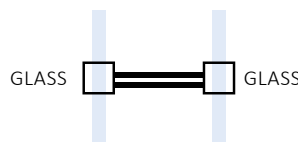
\*With cover plates



\*COVER PLATES

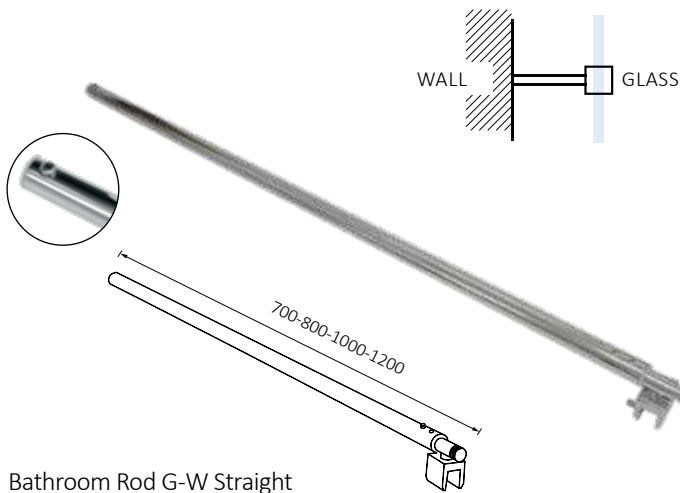
Bathroom Rectangular Rod Support G-G

● 8-10mm ● 963 gr | Finishing .29 .30BN .48BLACK



Dimensions mm

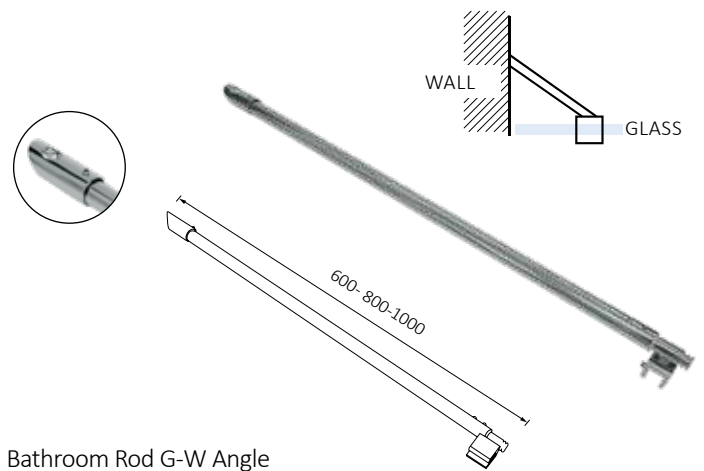
197



Bathroom Rod G-W Straight

8-10mm 580 gr | Finishing .09

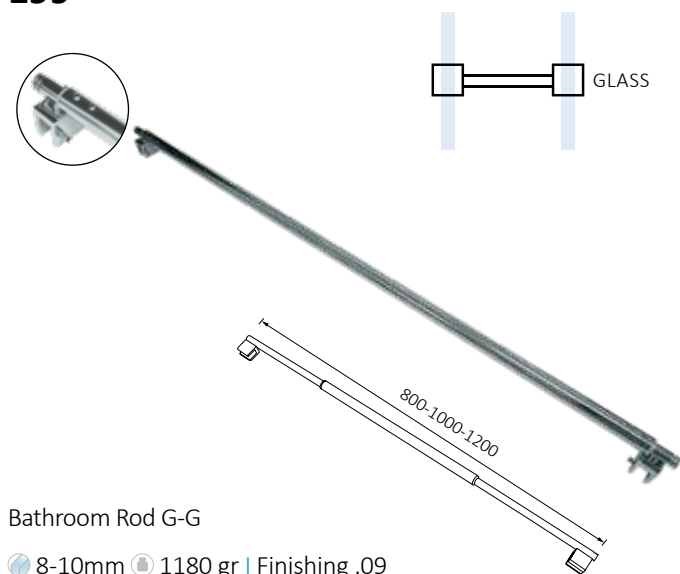
198



Bathroom Rod G-W Angle

8-10mm 590 gr | Finishing .09

199



Bathroom Rod G-G

8-10mm 1180 gr | Finishing .09

FLAT BAR - RODS



**366G.01.13**

FLAT BAR | Support Bar 30 x10mm  
Finishing .13



**366G.05.13**

FLAT BAR | Side track holder fitting  
for wall | Finishing .13



**366G.12.13**

FLAT BAR | Upper glass holder  
Finishing .13



**366G.13.13**

FLAT BAR | Side end Cover  
Finishing .13

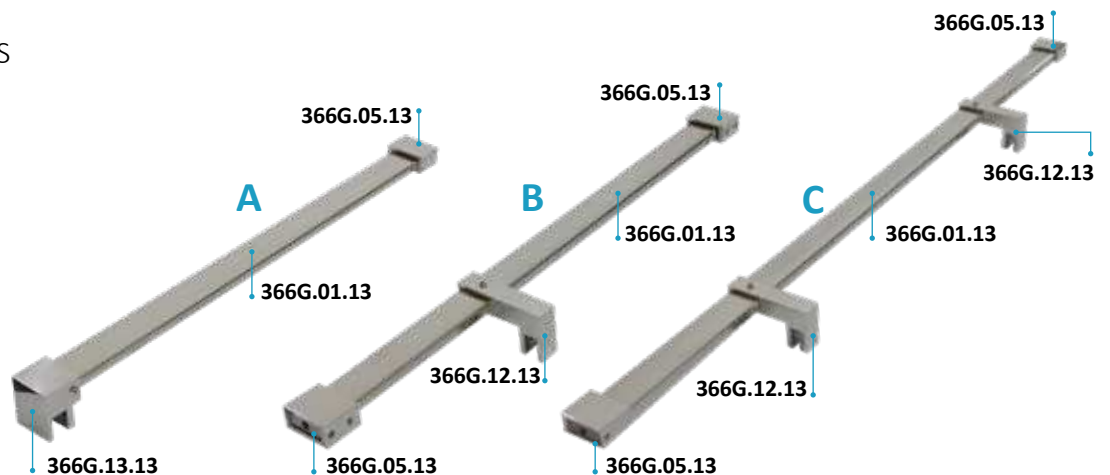
Indicated Applications

Suitable FOR SHOWER APPLICATION

A. WALL TO FIXED GLASS

B. WALL TO WALL WITH ONE GLASS HOLDER

C. WALL TO WALL WITH TWO GLASS HOLDERS



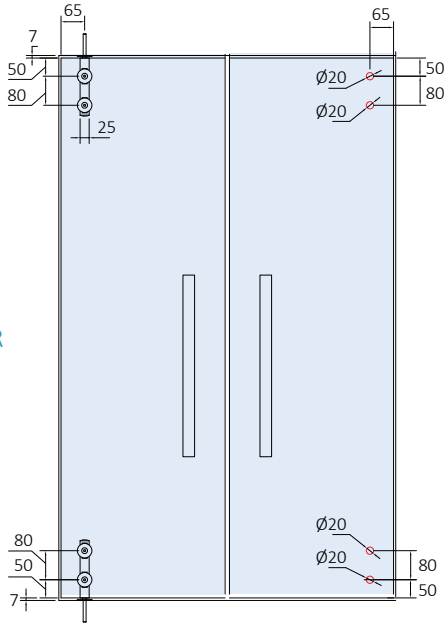
### 341.CD160



**Suitable**  
FOR SHOWER DOOR  
APPLICATION

Upper / Bottom  
Hinge Stainless  
Steel

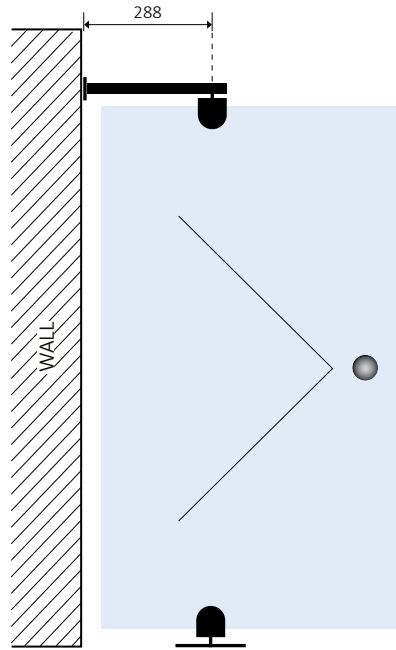
840 gr  
Finishing .13 .14



### ANGF1001.13

Set Hinged Door

**Suitable**  
FOR SHOWER DOOR  
APPLICATION

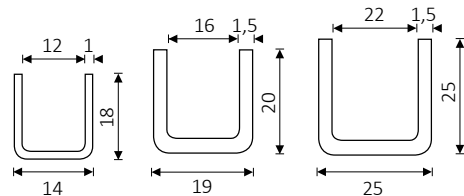


## Stainless steel Profile "U"

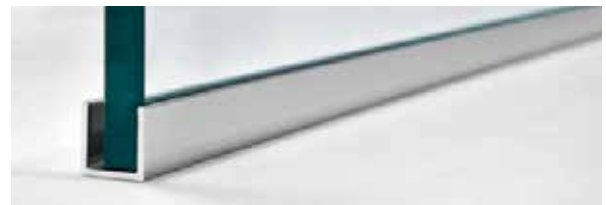
### 1692



CODE		L
1692.10	8-12	2,50 m
1692.16	14-16	2,50 m
1692.20	18-20	2,50 m



Stainless steel Bar U, Bar 2,5m | Finishing .13 .14



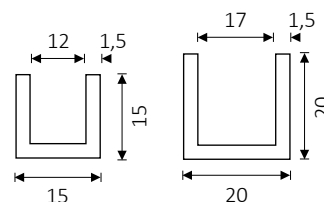
## Aluminum Profile "Π"

### 1692



CODE		L
1692.10.60	10	6,00 m
1692.16.60	14-16	6,00 m
1692.1012.60	10-12	6,00 m

COMBINE 1692.1012.60 with 1692.1012.R  
AVAILABLE IN GREY OR BLACK

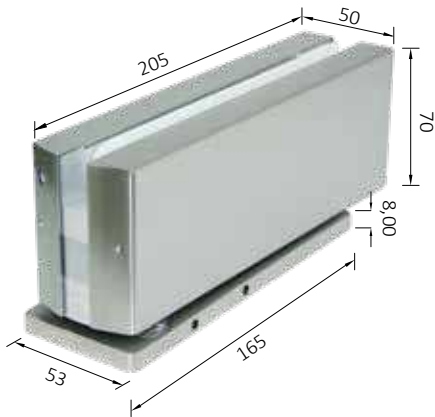


Aluminum Bar Π, Bar 6m | Finishing .01 .21 .21BLACK .25



# floor springs

## NS100



Hydraulic Hinge with Return NOSCAVO®

● 2000 gr

**EN 1154** EUROPEAN STANDARDS

### FORCE

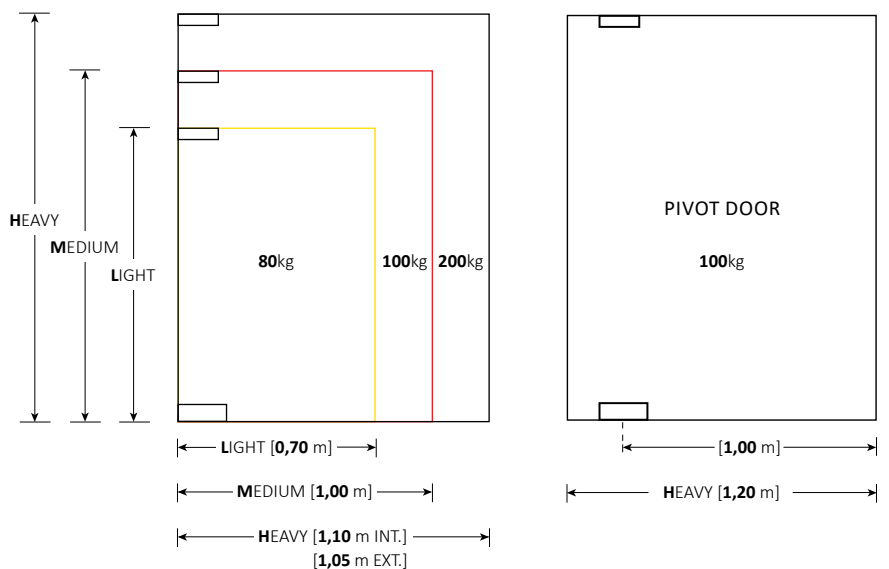
- LIGHT ● Code **NS100L**
- MEDIUM ● Code **NS100M**
- HEAVY ● Code **NS100H**



		LIGHT ●	MEDIUM ●	HEAVY ●
Door Width	External Use:	-	-	1,05m
	Internal Use:	0,85m	1.10m	1,10m
Max weight		80kg	100kg	up to 200kg
Dimensions		53mm x 205mm x 78mm		
Cover Finishing		Stainless Steel .13 .14, Copper .46 .47, 21BLACK		

### ALSO AVAILABLE

- **FOR SHOWER APPLICATIONS**  
Heavy: Code **NS100H.SH**
- **WITHOUT HOLD OPEN 0°**  
Medium: Code **NS100M.NHO**  
Heavy: Code **NS100H.NHO**
- **FOR PIVOT DOOR**  
Heavy: Code **NS100H.PV.14**



FOR FURTHER **TECHNICAL SPECIFICATIONS & INFORMATION** ABOUT THE PRODUCT PLEASE REFER TO THE MANUFACTURER TECHNICAL SHEET NOSCAVO®



### Floor Spring Speedy M25

Available in 3 types

#### 2006

Floor Spring  
Speedy M25

Force: **LIGHT** ●

6400 gr  
**EN 1154-2**

#### 2020

Floor Spring  
Speedy M25

Force: **MEDIUM** ●

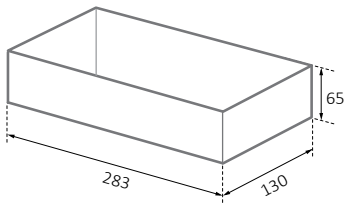
6400 gr  
**EN 1154-3**

#### 2040

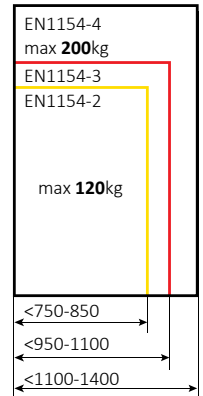
Floor Spring  
Speedy M25

Force: **HEAVY** ●

6400 gr  
**EN 1154-4**



		2006	2020	2040
Door Width	External Use:	0,75m	1,00m	1,10m
	Internal Use:	0,85m	1,10m	1,40m
Max Weight		120kg	120kg	200kg
Ciment Box Dimensions		130mm x 283mm x 65mm		
Cover Finishing		Aluminum .01, St. Steel .14		

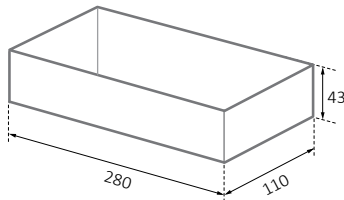


#### 2028

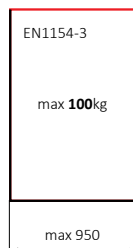
Floor Spring  
Speedy M68

Force: **MEDIUM** ●

5000 gr  
**EN 1154-3**



		2028
Door Width	External Use:	0,85m
	Internal Use:	0,95m
Max Weight		100kg
Ciment Box Dimensions		110mm x 280mm x 43mm
Cover Finishing		St. Steel .14

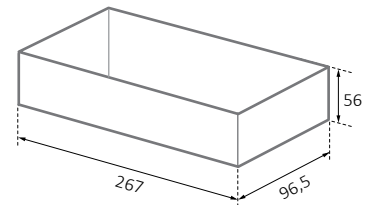


#### 2025

Floor Spring  
Speedy M60

Force: **MEDIUM** ●

5100 gr  
**EN 1154-3**



		2025
Door Width	External Use:	1,00m
	Internal Use:	1,10m
Max Weight		160kg
Ciment Box Dimensions		96,5mm x 267mm x 56mm
Cover Finishing		Aluminum .01 St. Steel .14



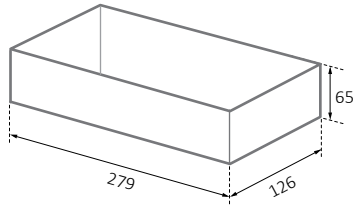




**2043**  
Floor Spring  
USAF 635-25

Force: **MEDIUM** ●

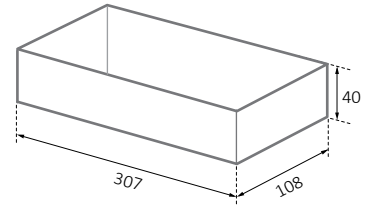
● 6000 gr



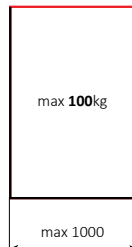
**2045**  
Μηχανισμός Δαπέδου  
USAF 600-25

Force: **MEDIUM** ●

● 5900 gr



		<b>2043</b>
Door Width	External Use:	1,00m
	Internal Use:	1,00m
Max Weight		100kg
Ciment Box Dimensions		126mm x 279mm x 65mm
Cover Finishing		St. Steel .14



		<b>2045</b>
Door Width	External Use:	0,95m
	Internal Use:	1,00m
Max Weight		100kg
Ciment Box Dimensions		108mm x 307mm x 40mm
Cover Finishing		St. Steel .14



**2071**  
Floor Spring  
DORMA

Force: **MEDIUM** ●

● 5000 gr  
**EN 1154-3**



Square

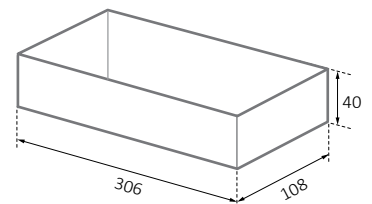
**2071.G**  
Floor Spring  
DORMA

Force: **MEDIUM** ●

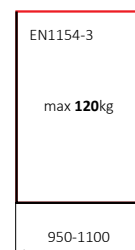
● 5000 gr  
**EN 1154-3**



Rectangle



		<b>2071</b>	<b>2071.G</b>
Door Width	External Use:	0,95m	0,95m
	Internal Use:	0,95m	0,95m
Max Weight		120kg	120kg
Ciment Box Dimensions		108mm x 306mm x 40mm	
Cover Finishing		Stainless Steel .13 .14	





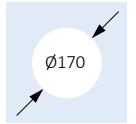
various

### 1505



Port-Hole Stainless steel Glass Cutting  $\varnothing 170$

949 gr | Finishing .13



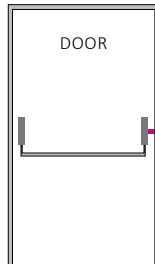
### 1733



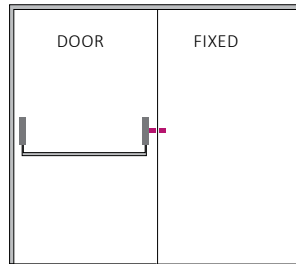
Panic Bar for Glass Door

### Applications

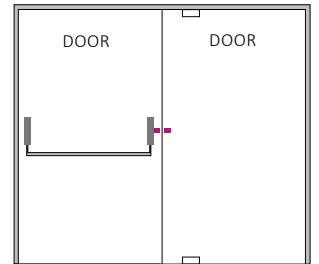
A.



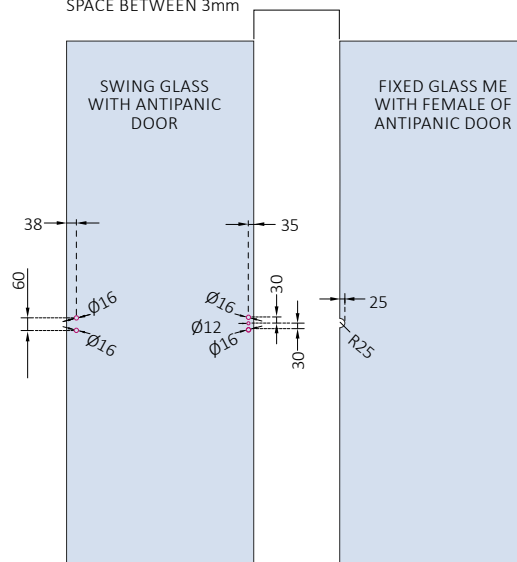
B.



C.



SPACE BETWEEN 3mm



### 1718

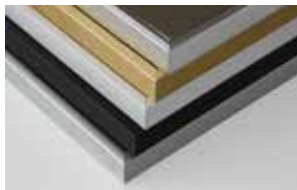
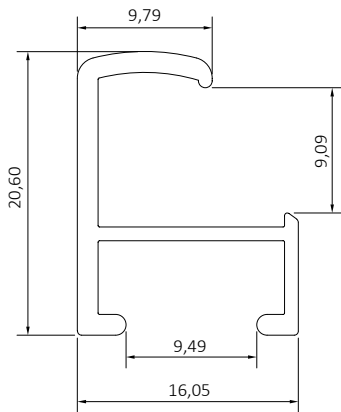
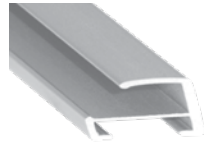


Female of Antipanic Bar for Glass Door

## DECO

Decorative Frame Profile L: 2,55m

5mm | Finishing .00 .01 .02 .21WH .33 .42



### DECO1001.31

Frame Connection Angle SET



### DECO1001-03.31

Frame hanger 35/15/1,6mm

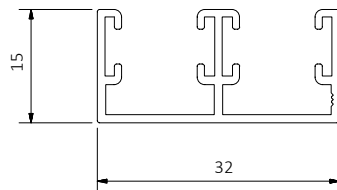


## 1300, Profile for Sliding Door 5 mm

SUITABLE FOR SHOWCASES

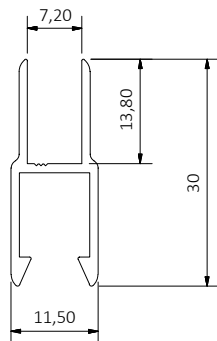
### 1300.3521

Upper Sliding profile for 5mm Bar 5m | Finishing .01



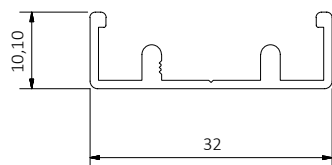
### 1300.3522

Middle Sliding profile for 5mm Bar 5m | Finishing .01



### 1300.3523

Lower Sliding profile for 5mm Bar 5m | Finishing .01



## 1302.VER2020



SUITABLE FOR PROFILE 1300.3522

Roller for Sliding Door 5 mm

10 gr

## 1729



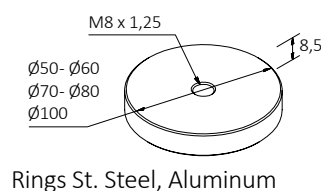
Magnetic Door Stopper

160 gr | Finishing .09

## 1627



CODE	Weight	CODE	Weight
1627.50.01	52 gr	1627.50.14	152 gr
1627.60.01	80 gr	1627.60.14	212 gr
1627.70.01	128 gr	1627.80.14	382 gr
1627.100.01	220 gr	1627.100.14	612 gr



Rings St. Steel, Aluminum

## 804.35/40



Door Stop Wall-Self Support

215 gr  
Finishing .13 .14 .48BLACK

## 1738



Plastic Mounting plate "SPACER"

Available from 1mm to 6mm & 8mm

Dimensions mm



black series

# hinges

**101.21BLACK**



Upper Hinge

10mm 339 gr

**102.21BLACK**



Lower Hinge

10mm 328 gr

**170.BB.21BLACK**



Hinge Glarit G-W Big Base

10-12mm 245 gr

**170.21BLACK**



Hinge Glarit G-W

10-12mm 239 gr

**170V.BB.21BLACK**

SAFETY FIXING PLATE



Vertical Hinge Glarit G-W Big Base

10-12mm 265 gr

**173.21BLACK**



Hinge Glarit

CURVED DESIGN

10-12 mm 301 gr

**173V.21BLACK**



Vertical hinge Glarit G-W

10-12mm 490 gr

**171.21BLACK**



Hinge Glarit G-G

10-12mm 420 gr

**181.48BLACK**

NEW FINISHING



Hinge with Stop G-T

8-10mm, 473 gr

**187.48BLACK**

NEW FINISHING



Hinge with Stop G-W [Side Plate]

8-10mm, 540 gr

**181Z.21BLACK**



Hinge with Stop G-T

8-10mm, 473 gr

**187Z.21BLACK**



Hinge with Stop G-W [Side Plate]

8-10mm, 540 gr

**182.48BLACK**

NEW FINISHING



Hinge with Stop G-G

8-10mm, 773 gr

**182Z.21BLACK**



Hinge with Stop G-G

8-10mm, 773 gr

**184.48BLACK**

NEW FINISHING



Hinge with Stop 90° G-G

8-10mm, 823 gr

**185.21BLACK**



Hinge with Stop 135° G-G

8-10mm, 768 gr

**BLACK SERIES ACCESSORIES WITH BLACK FINISHING**

## hinges

### 190.21BLACK



Hinge with Return G-W  
 8-10mm, AL. 490 gr

### 103.21BLACK



Wall Glass Support with pivot  
 10mm 353 gr

### 114.21BLACK [LEFT]



Angle Pivot Support  
 10/20mm\* 709 gr

### 104.21BLACK RIGHT]



Angle Pivot Support  
 10/20mm\* 709 gr

### 144.21BLACK [LEFT]



Angle Pivot Support  
 10mm 2188 gr

### 134.21BLACK [RIGHT]



Angle Pivot Support  
 10mm 2188 gr

### 105.21BLACK FOR HINGE 101



Rectangular top pivot  
 41 gr

### 105L.21BLACK FOR SWING DOOR RAILS



Rectangular top pivot Long  
 88 gr

## locks

### 210.21BLACK



Floor Lock [Double Locking]  
 10mm\* 689 gr

### 109.21BLACK



Lock Floor Plate

### 230.21BLACK



Front Side Lock [Double Locking]  
 10mm\* 680 gr

\* Για κρύσταλλο έως 12mm, κατόπιν παραγγελίας

### 231.21BLACK



Front Side Lock Female [for side lock 230]  
 10mm\* 356 gr

\* Για κρύσταλλο έως 12mm, κατόπιν παραγγελίας

### 227.21BLACK



Lock FOR SLIDING DOOR  
 10mm 877 gr

### 228.21BLACK



Female Lock FOR SLIDING DOOR  
 10mm 877 gr

## locks

### 201SC.21BLACK



Additional Lock

10-20mm 864 gr

### 202.21BLACK



Additional Lock Female  
[for lock 201]

10-20mm 677 gr

### 207.21BLACK



Additional Double Lock

10mm 1298 gr

### 284.21WC.BLACK



Glass Lock Meroni Forma

10mm 897 gr

## bolts

### 910.21BLACK



Door catcher with knob

10mm 297 gr

## clips

### 401.21BLACK



Wall to Glass Support

8-12mm 98 gr

### 402.21BLACK



Glass to Glass Support

8-12mm 93 gr

### 850.10.21BLACK



Wall-Self Glass Support

8-10mm 125 gr  
L = 28mm

### 460.48BLACK NEW FINISHING



Glass to Wall Support

6-12mm 150 gr 45\*45mm

### 461.48BLACK NEW FINISHING



Glass to Glass Support

6-10mm 307 gr 45\*45mm

### 463.48BLACK NEW FINISHING



Glass to Glass Support

6-10mm 312 gr 92mm

### 463.48BLACK NEW FINISHING



Glass to Wall Support

6-12mm 219 gr 45\*45mm

## supports & spacers

### 829.21BLACK



Glass Self-Support Aluminum  
20 x 30mm, 10mm

10mm

### 840.21BLACK



Glass Self-Support Aluminum  
16 x 20mm, 7mm

7mm

### 880.30.21BLACK



Spacer Ø25

5-16mm 125 gr

### 804.35/40.48BLACK NEW



Wall-Self Support/ Door Stop

215 gr

## handles

640.36.21BLACK  
640.50.21BLACK  
640.80.21BLACK  
640.100.21BLACK  
640.120.21BLACK



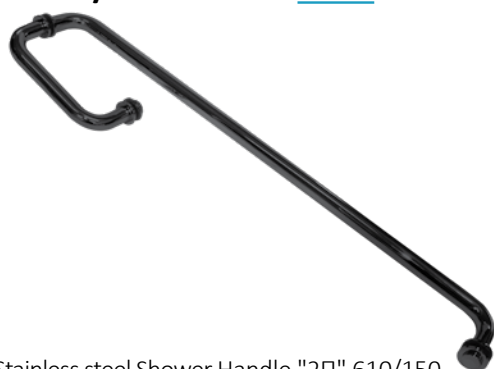
Stainless steel Handle H Ø32

643.1920.48BLACK  
**NEW**



Stainless steel Shower Handle "Π"  
Finishing .48BLACK

651.61/15.48BLACK **NEW**



Stainless steel Shower Handle "2Π" 610/150  
Finishing.48BLACK

## door handles

604.40.21BLACK



Door Handle Ø40  
329 gr

604.50.21BLACK



Door Handle Ø50  
385 gr

## door handles

619.50.48BLACK



Door Handle Stainless Steel  
[FOR SLIDING DOOR](#)  
6-11,25mm 166 gr

619.50SQ.48BLACK  
**NEW**



Square Handle Stainless Steel  
8-12mm 370 gr

622.30.21BLACK



Handle for Shower Ø30  
286 gr

625.38.21BLACK



Door Handle Ø38  
75 gr

627.38.21BLACK



Door Handle Ø38  
626 gr

628.30.21BLACK



Handle for Shower Ø30  
344 gr

628.30AD.48BLACK  
**NEW**



Handle for Shower Ø30  
112 gr

629.32.21BLACK



Round Handle Ø32  
102 gr



## sliding roller

**1154.21BLACK**    **1158.21BLACK**



1154 Roller with cone end cup "EOS"  
1158 Roller with flat end cup "EOS"

[FOR SLIDING DOOR](#)

10mm 285 gr

## profile for showers

**1692.10.60.21BLACK**  
**1692.16.60.21BLACK**



CODE	Ø	L
<b>1692.10.60.21BLACK</b>	10	6,00 m
<b>1692.16.60.21BLACK</b>	14-16	6,00 m

Aluminum Bar Π, Bar 6m

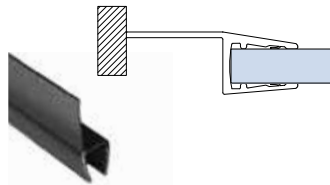
## proofing

**1400.10.30BLACK**  
**1400.10.25BLACK**  
**1400.12.30BLACK**



PVC +UV Profile Black «h»  
10mm, 2,5 - 3m

**1427.6/8.17.22BLACK**



PVC Profile Black, Flexible "h"  
Straight Line 17mm, L=2,20m

6-8mm 160 gr

**1435.6/8.07.22BLACK**



Profile Large Bubble 7mm  
L=2,20m

6-8mm 120 gr

**1413.25BLACK**



PVC+UV Profile with Magnet

10mm 2,5m

**1442.10.25BLACK**



PVC +UV Profile Black "H"  
10mm, 2,5m

## covers

**2100.21BLACK**



Hinge Cover  
[for 101- 102- 103]

20-60 gr

**2101.21BLACK**



Cover [for lock 210]

24-63 gr

**2102.21BLACK**



Front Side Cover  
[for lock 230]

25-59 gr

**2106.21BLACK**



Cover for Front Side Female  
[for 231]

27-61 gr



**BLACK SERIES** ACCESSORIES WITH BLACK FINISHING

## rods for showers

**196.GW140220.48BLACK**

**NEW**



With cover plates

**RIGHT**

Bathroom Rectangular Rod Support, Left or Right G-W,  
8-10mm 662 gr

**196.GG140220.48BLACK**

**NEW**



With cover plates

Bathroom Rectangular Rod Support G-G  
8-10mm 963 gr l

**197.70.21BLACK,  
197.80.21BLACK  
197.100.21BLACK**



Bathroom Rod G-W, Straight  
8-10mm 580 gr

**198.60.21BLACK,  
198.80.21BLACK**



Bathroom Rod G-W, Angle  
8-10mm 590 gr

**199.100.21BLACK**



Bathroom Rod G-G  
8-10mm 1180 gr

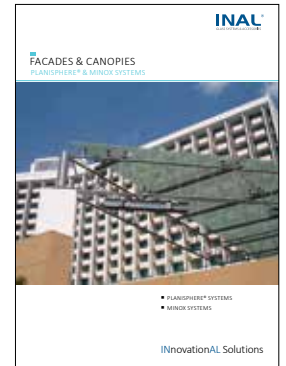
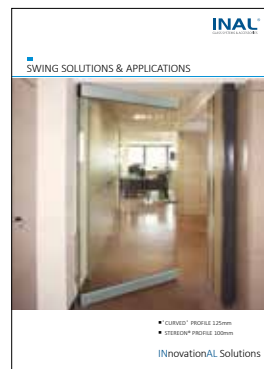
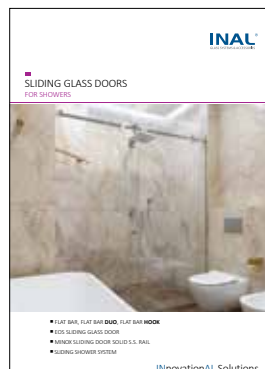




# GLASS ACCESSORIES



## ALSO DOWNLOAD OUR PRODUCT CATALOGUES



# INnovationAL Solutions