

■
ALUMINUM CASE PROFILE
FOR INTERNAL DOORS & PARTITIONS



"Flexi"

- ALUMINUM CASE FOR GLASS DOORS
- ALUMINUM PROFILE FOR INTERNAL GLASS PARTITIONS

INnovationAL Solutions

FLEXI

aluminum case for glass doors



case finishing

Natural anodised **.01**,
Gold anodised [UPON REQUEST], **.02**
Satin anodised **.25**,
RAL powder coating [UPON REQUEST] **.21**
RAL powder coating-BLACK [UPON REQUEST] **.21BLACK**



Glass partitioning offers architects, designers, contractors, clients, the ability to create functional and inspirational working and living environments. Leading the pace of the trend, the new aluminum profile "*Flexi*" series from INAL[®] for internal doors, partitions- side fixed glass and overdoor glass panels, provides a uniquely designed solution with only 23mm height for minimal aesthetic partitions.

The "*Flexi*" profile can be combined with the INAL[®] hinges code 170.BB, 170V.BB and 170.30.BB with door opening up to 1470. Hinges fixing plates are specially designed to safely support the glass door. Supplied in the same finish and color effects as the case profile, they offer the perfect image to your application.

Additional rubber gasket "Ω" is fitted around the case to provide sealing and silent closing.

Finishing: Aluminum Natural colour Anodised, Satin Anodised & RAL colours upon request.

For the optimum application, we recommend INAL[®] locks VL 155C Chameleon, 243G, 247G, 280, 280WC and bolts 910, 910C, 903G.

Only 23mm height!!

Elegant design



product details



Detail corner connection (external)



Detail corner connection (internal)

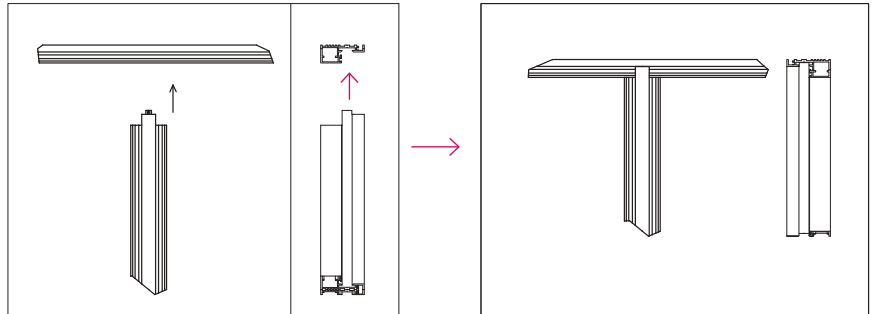


Sealing rubber gasket

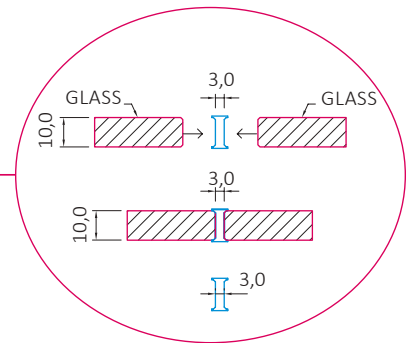


CODE **170.BB**
with safety fixing plate

Detail "T" connection



Detail "Linear" connection

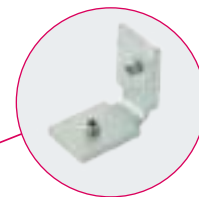


CODE **1446.10.30**
Polycarbonated profile 3m for 10mm glass

Detail "Cross" connection



CODE **KFL.010.01.31**
Cross connection support angle (M5-conehead screw M5) Aluminum case "Flexi"- "Simply"



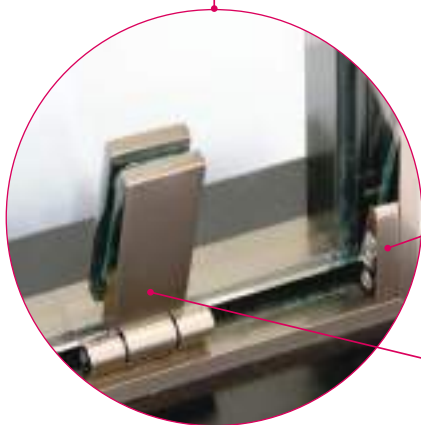
CODE **KFL.010.02.31**
Cross connection support angle (M5-M5) Aluminum case "Flexi"- "Simply"

Aluminum case application



The "*Flexi*" aluminum case profile is a minimal glass partition application, which can be combined with tempered glass, laminated glass and double glazing from 8mm up to 22mm thickness. With the use of special designed connectors (page 4) can be a complete solution for linear, "T" or cross connection of glass internal separation, according to the architectural requests and space requirements.

Combined also with slim line hinges INAL[®] code 170.30.BB & glass tilt support INAL[®] code KFL.011 for an air ventilation solution.



CODE **KFL.011**
Glass tilt support (window)
Aluminum case "Flexi"

INAL[®] CODE
170.30.BB

! Combine
THE GLASS DOOR WITH INAL[®]
GLASS ACCESSORIES



Creating privacy

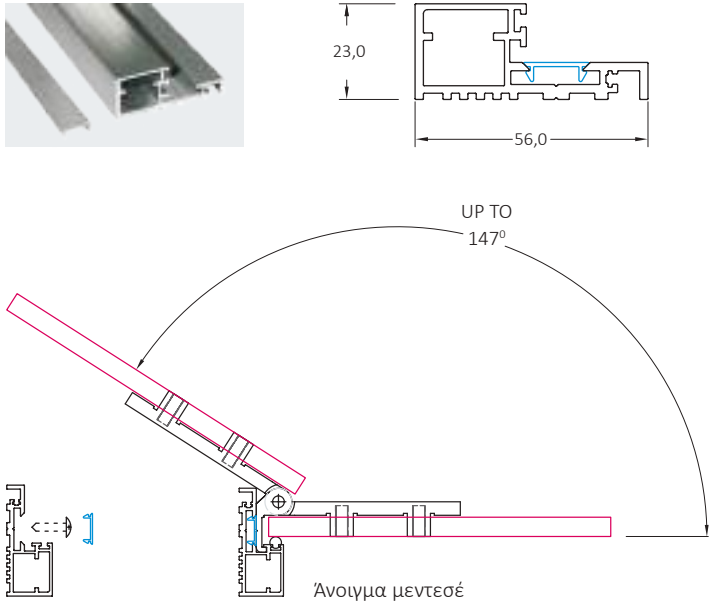
Creating privacy with INAL® interior partitions. Made according to your specifications, INAL's unique interior partitions are manufactured in the finishing of your choice.

Internal partitions can increase privacy and visibility at the same time to your working space or office. We can make interior partitions upon your request, in order to create a unique style for you. By using glass inner partitions we will create a modern, comfortable office.



!Combine
WITH INAL®
GLASS ACCESSORIES

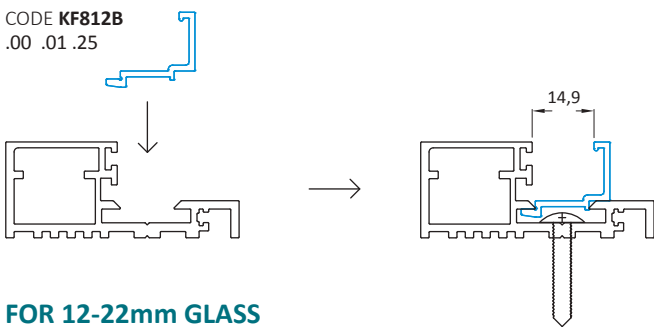
plan view- section



aluminum profile for fixed glass

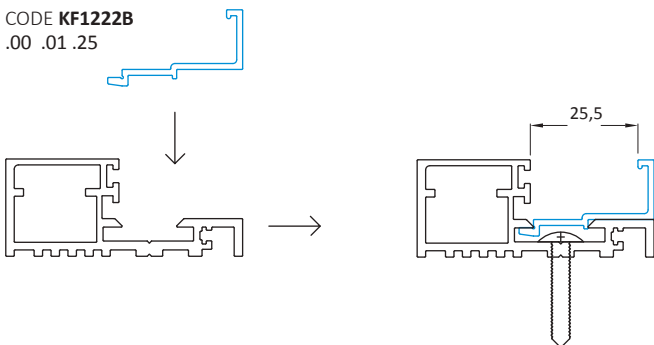
FOR 8-12mm GLASS

CODE **KF812B**
.00 .01 .25



FOR 12-22mm GLASS

CODE **KF1222B**
.00 .01 .25



accessories

hinges

CODE **170.BB**
Hinge Glarit
G-W Big Base
.01 .21 .25



CODE **170V.BB**
Vertical Hinge
Glarit G-W
.01 .25



CODE **170.30.BB**
Hinge Glarit G-W
30mm
.01 .25



locks

CODE **VL 155C**
Chameleon
Glass Lock



CODE **243G**
Glass Lock
.13 .14



CODE **247G**
Glass Lock
.16



CODE **280**
Meroni Lock
.01 .13 .21 GREY



CODE **280WC**
WC Meroni Lock
.01 .13 .21 GREY



bolts

CODE **903G**
Bathroom Lock
with Indication
.13 .14



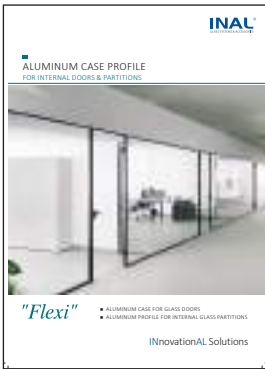
CODE **910**
Door catcher
with knob
.01 .25



CODE **K100-10**
Door Ball Catcher



"Flexi" ALUMINUM CASE PROFILE FOR INTERNAL DOORS & PARTITIONS



ALSO DOWNLOAD OUR PRODUCT CATALOGUES



INnovationAL Solutions