

■  
**ALUMINUM CASE PROFILE**  
FOR INTERNAL DOORS & PARTITIONS



*"Élégance"*

- ALUMINUM CASE PROFILE FOR GLASS DOOR APPLICATIONS
- ALUMINUM PROFILE FOR GLASS PARTITION APPLICATIONS
- ALUMINUM CASE PROFILE FOR WOODEN DOOR APPLICATIONS

INnovationAL Solutions

# ELEGANCE

## aluminum case for glass doors

Designed for a fast and easy assembly. Available in five adjustable width sizes, according to the side wall thickness W: 70-100mm/95-125mm/125-140mm/140-175mm /175-205mm.

The "Élégance" aluminum case profile is combined with INAL® glass door hinges 173, 173V & 179. These hinges are specially designed to secure into the case profile, support safely the glass and provide the maximum door opening.

Available in a big range of finishing to match the same finishing of the case profile.

An ideal solution of a complete, aesthetic and functional application for your doors and partitions.

The rubber gasket «Ω» type is fitted around the case to provide sealing and silent closing.

For a perfect application we recommend INAL® locks VL 155C Chameleon, 243G, 247G, 280, 280WC and bolts 910, 910C, 903G.



## product details



Detail corner connection (external)



Detail side view



Sealing rubber gasket



Hinges with safety fixing plate



Detail corner connection (internal)

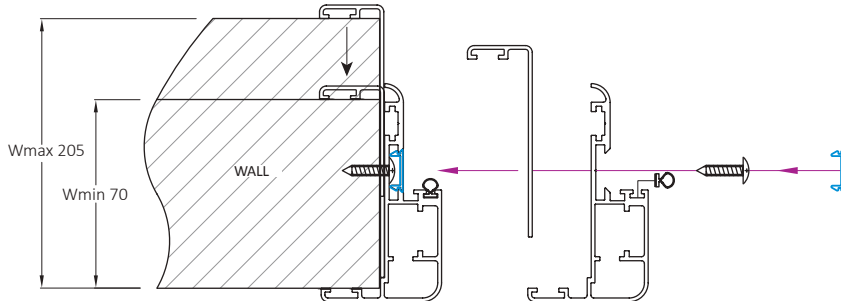


Detail side view



Sealing rubber gasket

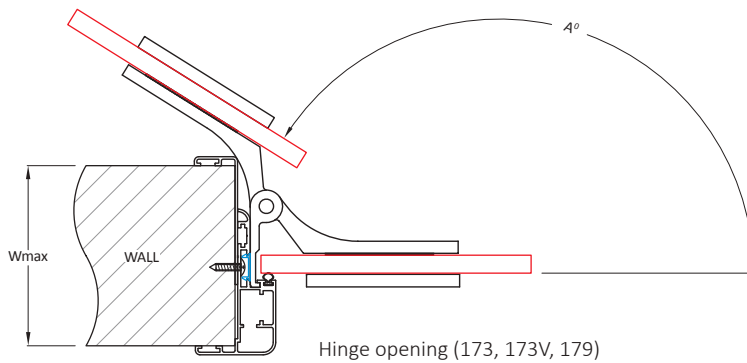
## plan view



### DOOR OPENING SPECIFICATIONS

Wmin	Wmax	A°
70mm	100mm	198° to 148°
95mm	125mm	153° to 129°
125mm	140mm	129° to 120°
140mm	175mm	120° to 110°
175mm	205mm	110°

In combination with the use of INAL® Glarit Hinge code 173, 173V, 179.



### case finishing

- Natural anodised **.01**
- Gold anodised [UPON REQUEST].**02**
- Satin anodised **.25**
- RAL Powder coating [UPON REQUEST].**21**
- RAL powder coating- BLACK [UPON REQUEST] **.21BLACK**



## aluminum profile for internal glass partitions

Internal glass partitions, where maintaining visual contact and lightness is necessary. Modern aluminum profile anodized or in any RAL color. In use with tempered glass, laminated glass and double glazing from 8mm up to 22mm thickness, transparent or sandblasted where privacy is necessary.

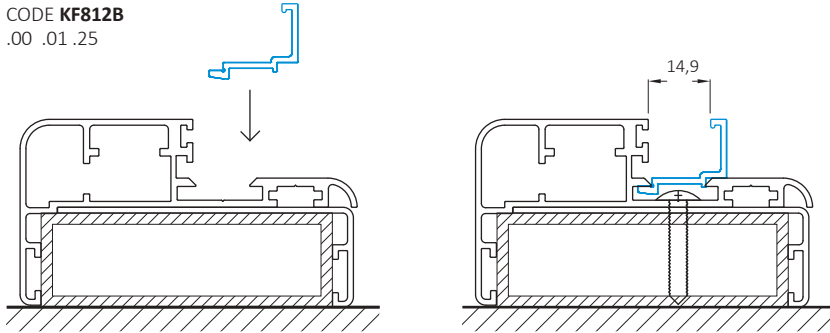
An architectural application which is suitable for the modern design requirements and fully fits in every space. Large glass surfaces without an intermediate profile connection, provide an unobstructed and aesthetic result. In combination with the aluminum case profile for a glass or wooden swing door, it is the complete solution for the separation of internal spaces.



# aluminum profile for fixed glass

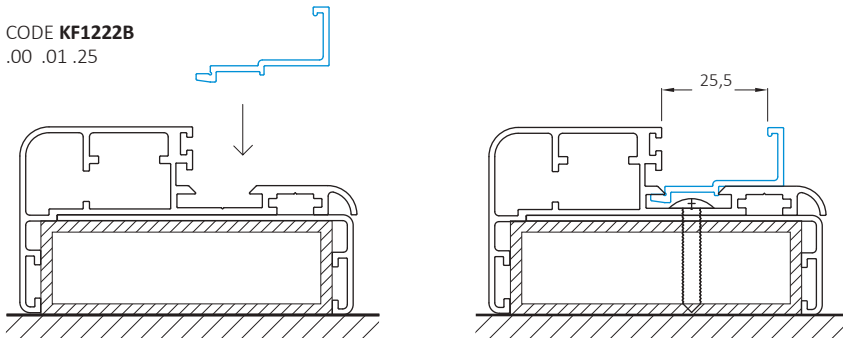
## FOR 8-12mm GLASS

CODE **KF812B**  
.00 .01 .25



## FOR 12-22mm GLASS

CODE **KF1222B**  
.00 .01 .25



MODERN ALUMINUM PROFILE  
FOR YOUR GLASS PARTITION



## profile finishing

- Natural anodised **.01**
- Gold anodised [UPON REQUEST], **.02**
- Satin anodised **.25**
- RAL powder coating [UPON REQUEST] **.21**
- RAL powder coating- BLACK [UPON REQUEST] **.21BLACK**

# accessories for glass doors

**! Combine**  
THE GLASS DOOR WITH INAL®  
GLASS ACCESSORIES



VL 155C Chameleon

## HINGES

CODE **170**  
Hinge Glarit G-W  
.01 .02 .15 .16 .21  
.21BLACK .25



CODE **173V**  
Vertical Hinge Glarit  
G-W  
.01 .21 .21BLACK .25



CODE **173**  
Hinge  
CURVED DESIGN  
.01 .02 .21  
.21BLACK .25



CODE **179**  
Hinge  
LINE DESIGN  
.01 .02 .21 .25



## locks

CODE **VL 155C**  
**Chameleon**  
Vertical Glass Lock



CODE **243G**  
Glass Lock  
.13 .14



CODE **247G**  
Glass Lock  
.16



CODE **280**  
Glass Lock Meroni  
.01 .13 .21 GKPI



CODE **280WC**  
Glass Lock Meroni  
[WC]  
.01 .13 .21 GREY

SLOT ⓘ



## bolts

CODE **903G**  
Bathroom Lock  
with Indication  
.13 .14



CODE **910**  
Door catcher with knob  
.01 .21BLACK .25



CODE **910C**  
Door catcher with knob  
CURVED  
.01 .21BLACK .25



CODE **K100-10**  
Door ball catcher

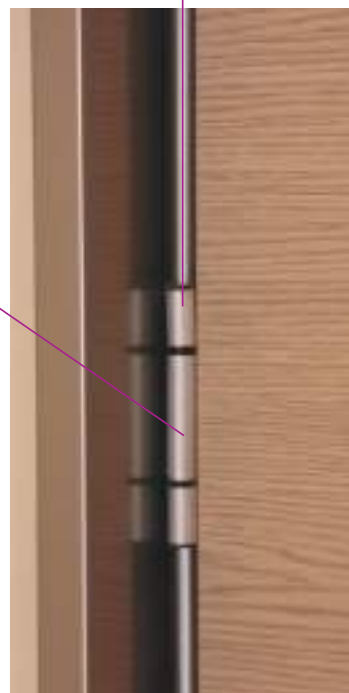


## aluminum case for wooden doors

The aluminum case "*Élégance*" is available for interior wooden doors, in the same sizes and functions as for the glass door applications. It is combined with INAL<sup>®</sup> hinge W100 which is designed to secure in to the case profile and support safely the door.



CODE **W100**  
Hinge for wooden door  
.01 .02 .21 .25

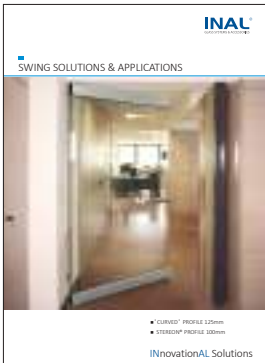


**! Combine**  
WITH INAL<sup>®</sup> LOCK  
CODE 283

# "Élégance" ALUMINUM (CASE) PROFILE FOR INTERNAL DOORS & PARTITIONS



## ALSO DOWNLOAD OUR PRODUCT CATALOGUES



# INnovationAL Solutions