

VL155 Chameleon

VERTICAL GLASS DOOR LOCK
FULL SERIES



When nature
inspires

INAL® VL155 Chameleon

Vertical glass lock series

Inspired from Nature INAL® developed a new idea applied to a reversible Vertical Lock for glass doors. An idea which offer to Architects, Designers, Decorators and End Users countless finishing combinations.

The INAL® Vertical Lock VL155 provides also Innovative Solutions, such as the Adjustable alignment for the handle to prevent the oblique position, a mechanism for Restraining the handle so that it does not move, Double Locking (**21mm DeadBolt**) for maximum security, * Reversible lock body and mechanism for Left or Right door applications and compatibleness with a variety of safety cylinders, cylinders with knob, cylinders with coin slot for WC applications and cylinders with electronic Bluetooth activation.



the same body...
...endless finishing



SATIN STAINLESS STEEL MASK & BLACK ANODISED BODY



BLACK ANODISED MASK & NATURAL ANODISED BODY



NATURAL ANODISED MASK & BLACK ANODISED BODY

A strong aluminum lock body case, solid aluminum handles, solid aluminum cylinder protection covers and decorative Masks made from aluminum or stainless steel are assembled together in one unique Lock. Play with colour & make your glass door looks unique.



NATURAL ANODISED MASK & BODY




BLACK ANODISED MASK & BODY

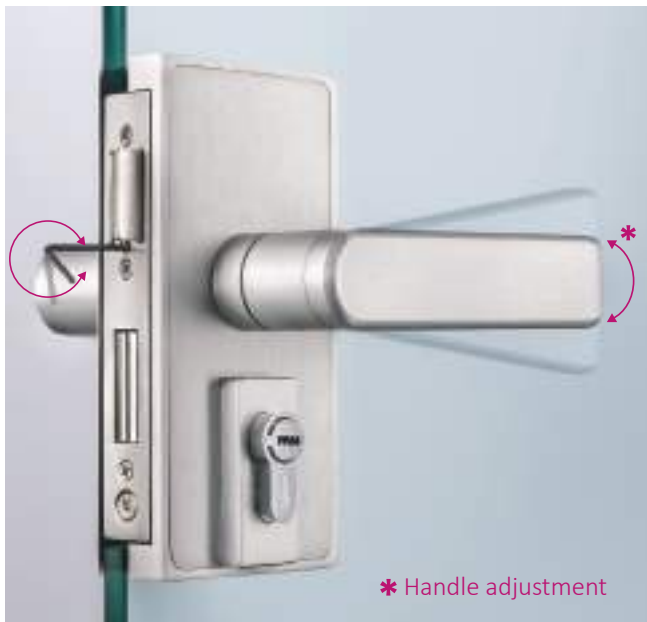
Adding colour to the "Chameleon"

Various parts finishing create a unique aesthetic result. Lock body in natural or black anodized finishing with decorative masks available in natural anodized, black anodized, satin & polish stainless steel.

Special color* upon request VL155C.UR

 *RAL powder coated

handle adjustable alignment



The appearance of a handle in oblique position and the annoying phenomenon of moving handles are characteristics we usually meet in many locks. INAL® VL155 "Chameleon" provides an Innovative Adjusting mechanism for the handle Alignment and a Restrain mechanism for handle tighten, in order keep the handle always in accurate fixed horizontal position.



Reversible lock body and mechanism for Left or Right door applications.

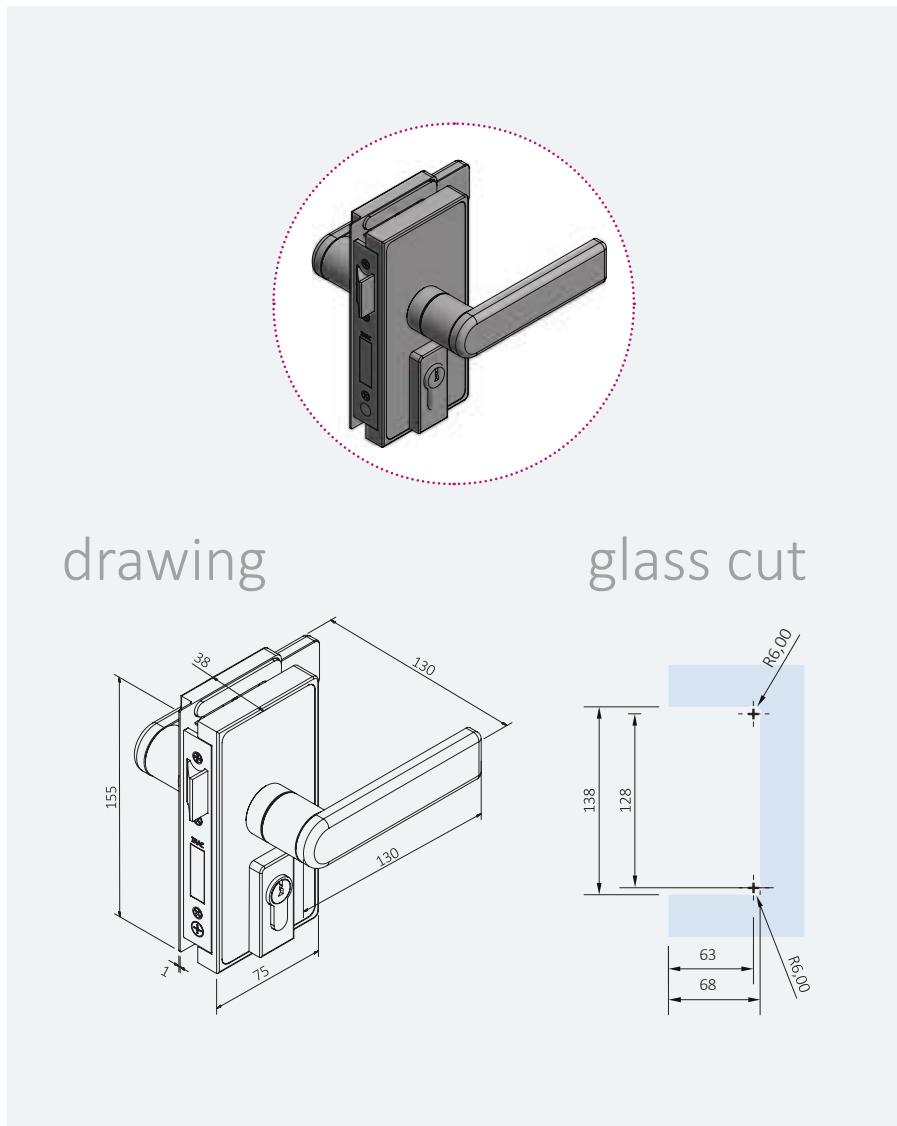
technical specifications

Locks		INAL® VL155C Chameleon	INAL® VL155G Chameleon	INAL® VL155GA Chameleon
Type		Vertical glass lock for aluminum case profile	Vertical glass lock for glass	Vertical glass lock for glass
Reversible direction		Reversible direction	Reversible direction with STOP, one way direction	Reversible direction, Aller retour
Dimensions (Body)		75mm x 155 x 38 mm	75mm x 155 x 38 mm	75mm x 155 x 38 mm
Glass thickness		8- 12,5mm	8- 12,5mm	8- 12,5mm
Weight		1770 gr	1770 gr	1770 gr
Material		Aluminum	Aluminum	Aluminum
Finishing	Lock Body, Handle, Cylinder Cover	Natural Anodized, Black Anodized, Ral powder Coated		
	Decorative Mask	Natural Anodized, Black Anodized, Ral powder Coated, Stainless Steel Mirror, Stainless Steel Satin		
		INAL® VL155C Chameleon combines with ↓	INAL® VL155G Chameleon combines with ↓	INAL® VL155GA Chameleon combines with ↓
Female Locks		INAL® Aluminum case profiles Series: Elegance, Flexi, Simply	INAL® VL155FG Chameleon	INAL® VL155FA Chameleon
Type			Female Part Vertical Glass Lock, for Glass	Female Part Vertical Glass Lock, for Glass
Reversible direction			Non Reversible (Left or Right)	Non Reversible (Left or Right), Aller retour
Dimensions (Body)			50mm x 155 x 38 mm	50mm x 155 x 38 mm
Glass thickness			8- 12,5mm	8- 12,5mm
Weight			532 gr	532 gr
Material			Aluminum	Aluminum
Finishing	Female Body, Decorative Cap	Aluminum cases profiles	Natural Anodized, Black Anodized, Ral powder Coated	
	Decorative Mask		Natural Anodized, Black Anodized, Ral powder Coated, Stainless Steel Mirror, Stainless Steel Satin	

INAL® **VL155C** Chameleon

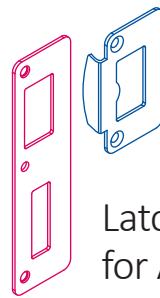
For application with
aluminum case profile

Vertical Glass Lock VL155mm,
Reversible direction.



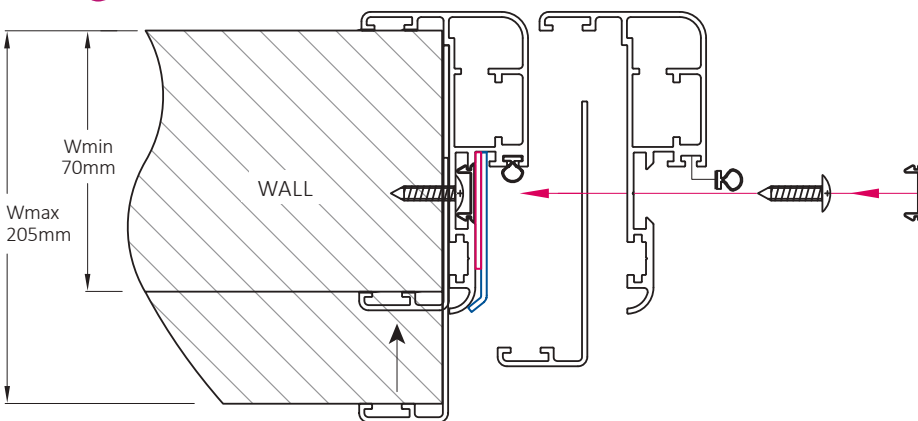
Combine with

INAL®
Aluminum Case series

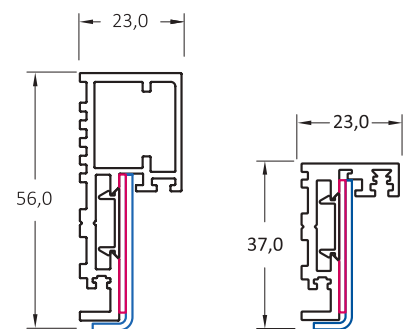


Latching & Locking Plates
for Aluminum Case

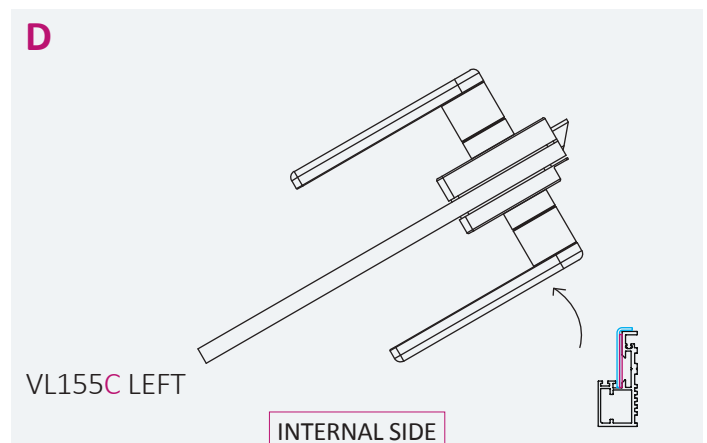
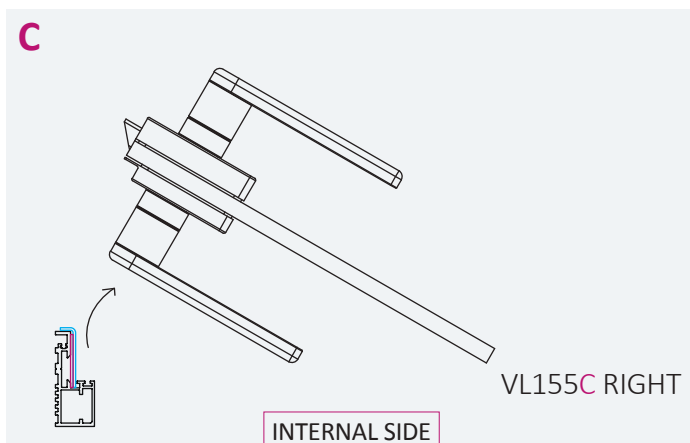
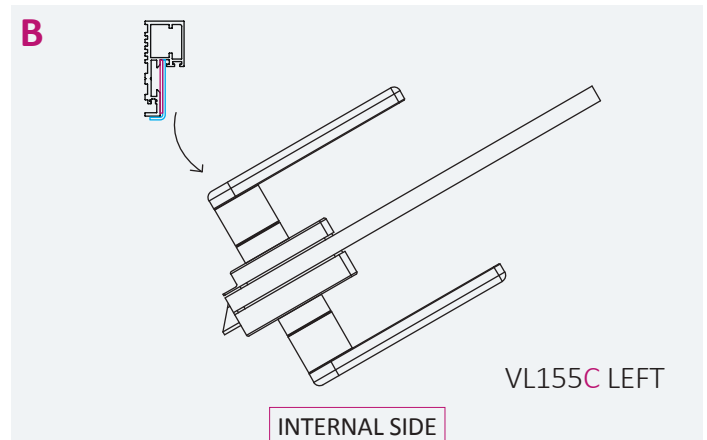
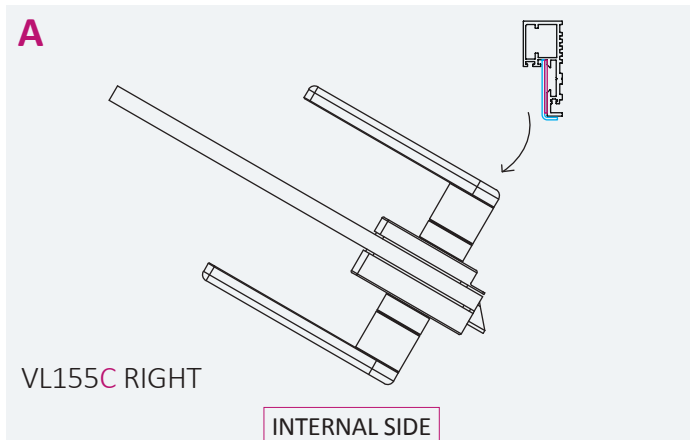
"Élégance"



"Flexi" *"Simply"*



applications & directions



cylinder options

The lock can be combined with a variety of safety cylinders, cylinders with knob from inside, cylinders with knob for inside and coin slot from outside for WC applications etc.



USE Chameleon lock with INAL® **DeadBolt Handle** for external applications



INAL® VL155G Chameleon

For glass to glass applications

Vertical Glass Lock VL155mm, Reversible direction with stop, one way direction.



Combine with

INAL® VL155FG Chameleon

Female Part
Non Reversible (Left or Right)
for INAL® VL155G



FOR LEFT LOCK

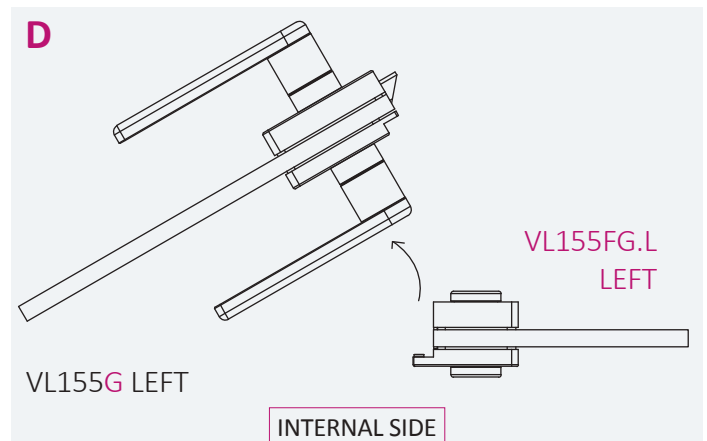
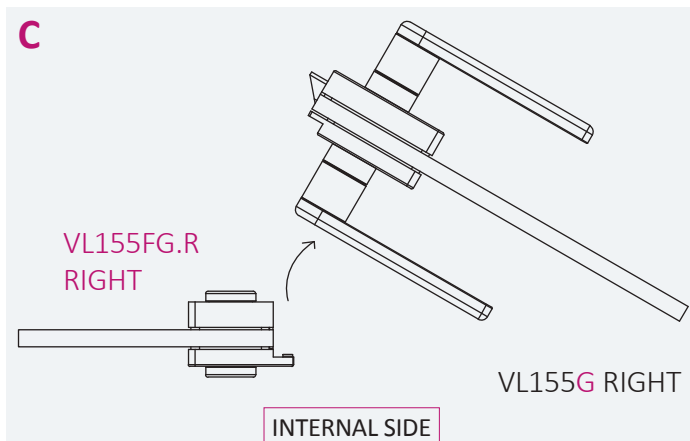
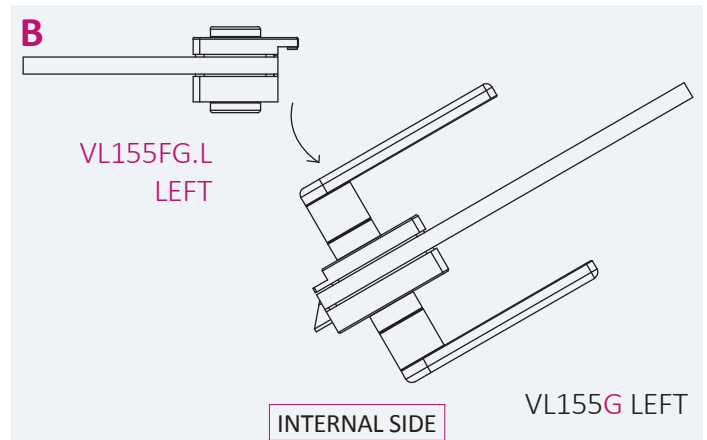
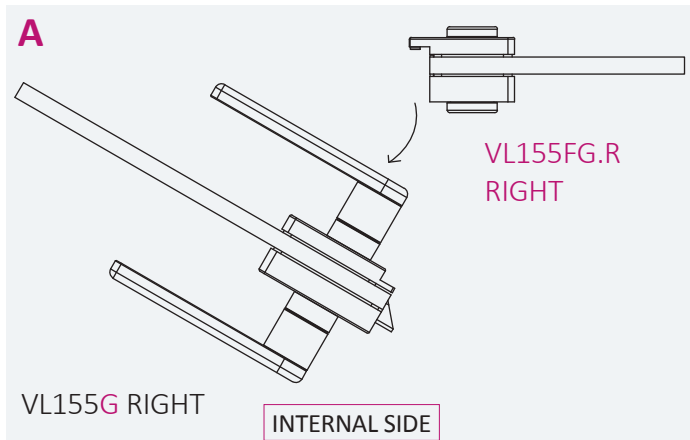
drawing

glass cut

drawing

glass cut

applications & directions



cylinder options

The lock can be combined with a variety of safety cylinders, cylinders with knob from inside, cylinders with knob for inside and coin slot from outside for WC applications etc.



USE Chameleon lock with INAL® **DeadBolt Handle** for external applications



■
INAL® VL155GA Chameleon

For glass to glass applications

Vertical Glass Lock VL155mm,
 Reversible direction,
Aller/Retour



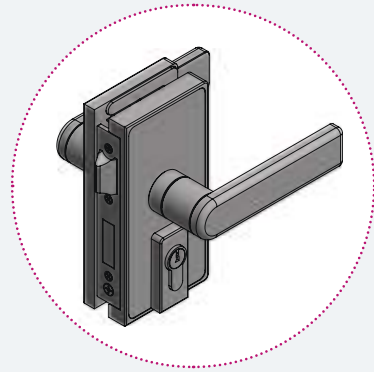
Combine with

INAL® VL155FA Chameleon

Female Part **Aller/Retour**,
 Left or Right, for INAL® VL155GA

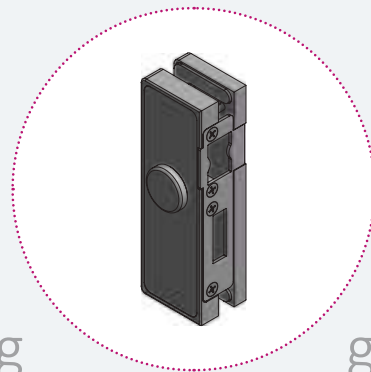
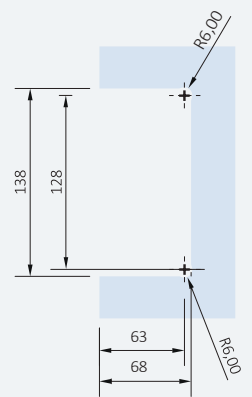
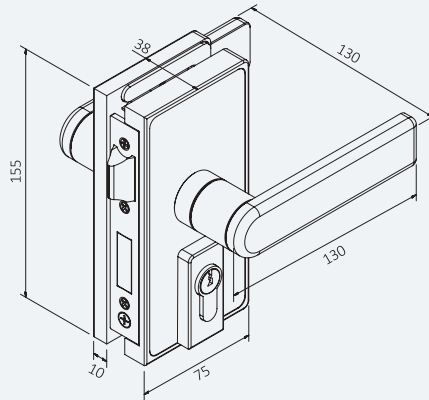


FOR LEFT LOCK



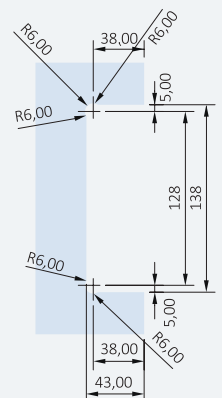
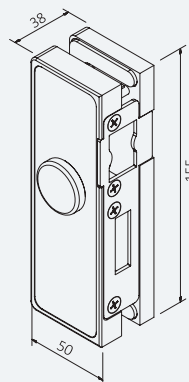
drawing

glass cut

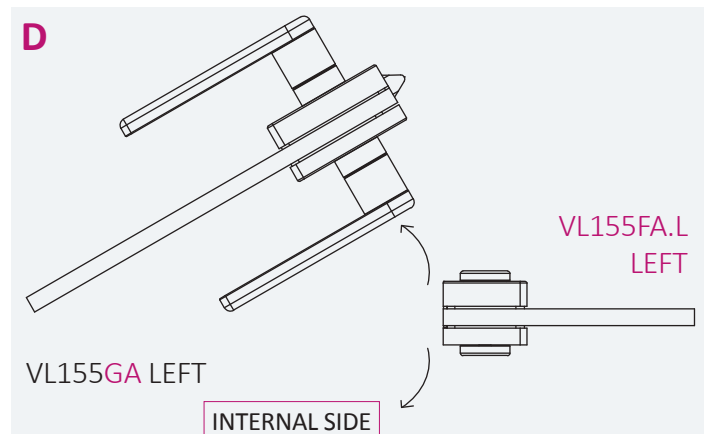
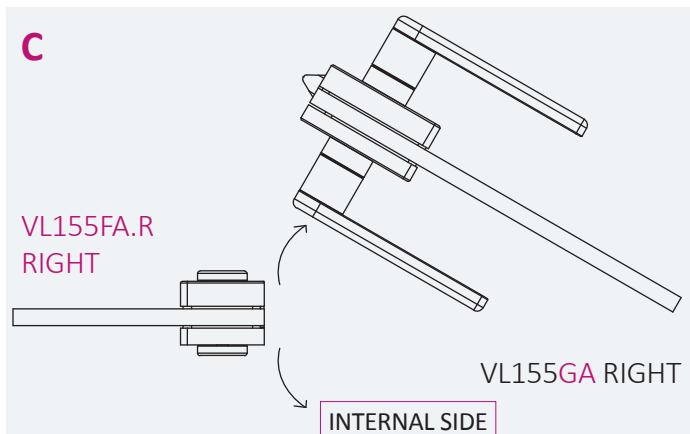
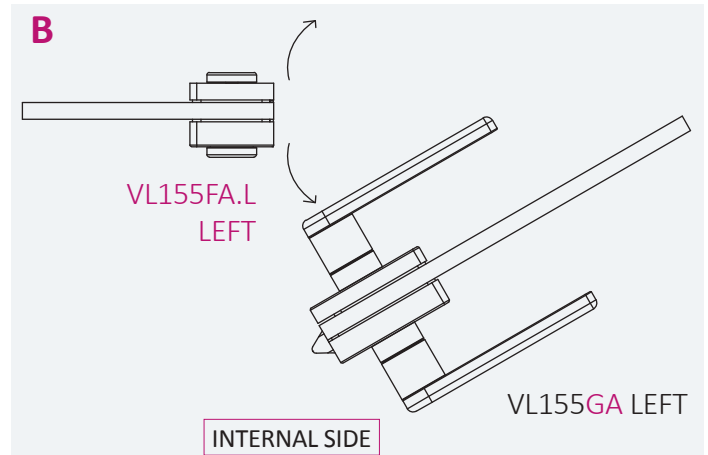
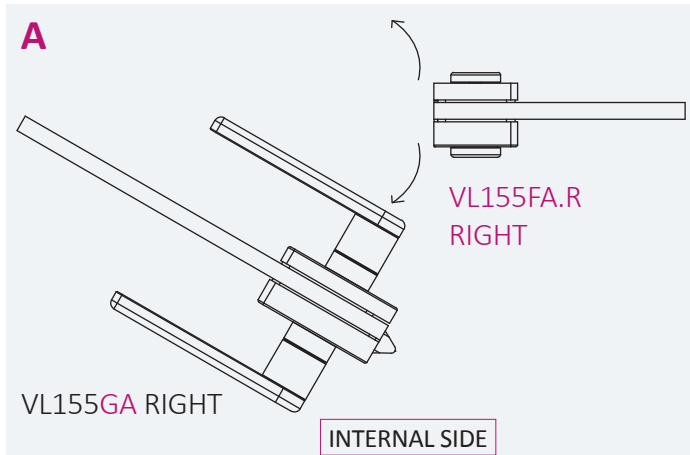


drawing

glass cut



applications & directions



cylinder options

The lock can be combined with a variety of safety cylinders, cylinders with knob from inside, cylinders with knob for inside and coin slot from outside for WC applications etc.



USE Chameleon lock with INAL® DeadBolt Handle for external applications



Door control application

INAL® **VL155G** Chameleon lock with INAL® Electric Strike



ELECTRIC STRIKE
COMBINED WITH
ALUMINUM PLATE

[CODE 290+ 1581]

RUBBER
3mm



DEADBOLT
HANDLE

A new combination of INAL® VL155 "Chameleon" with Electric Strike for door control applications.

Can be easily installed and operate either at side wall or door cases profiles.

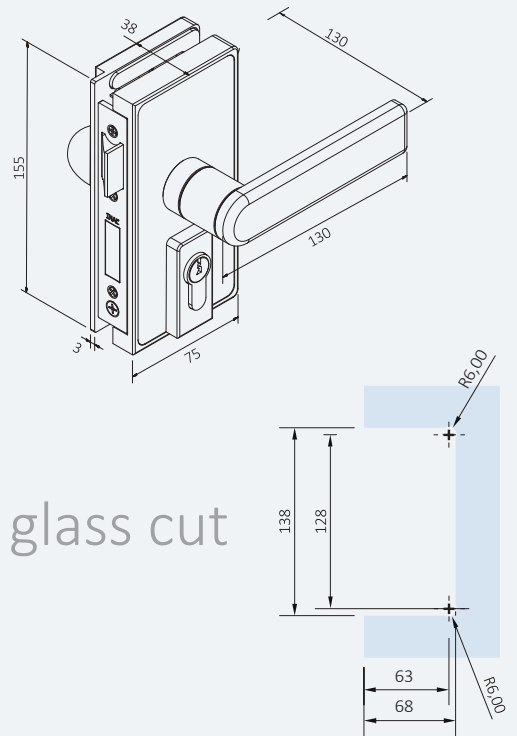
cylinder options



TYPE 1- SAFETY KEY CYLINDER



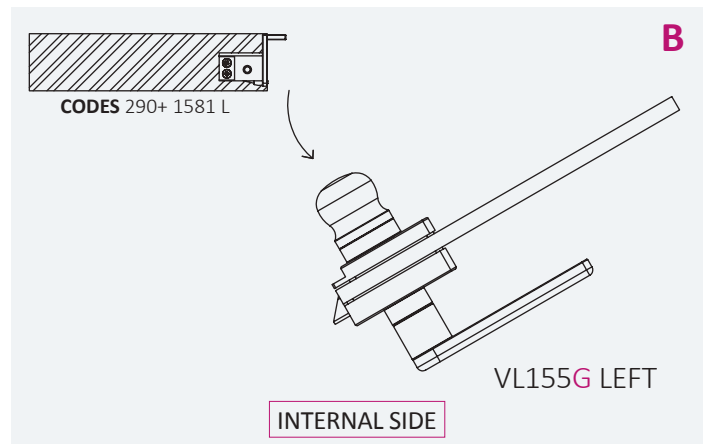
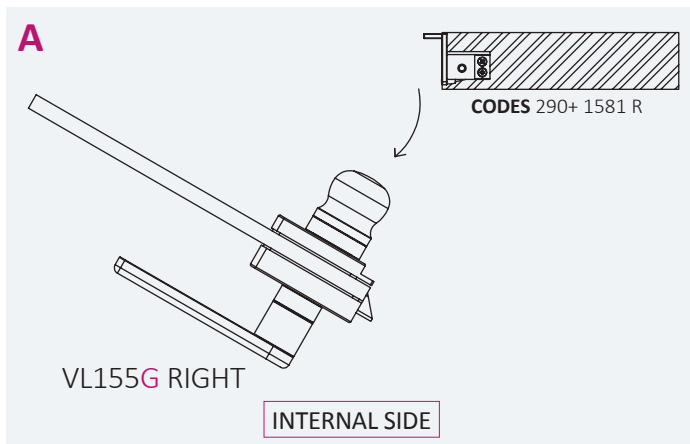
drawing



glass cut



applications & directions



Door control application Cylinder ISEO Zero1 Libra ARGO series with INAL® Chameleon lock



Cylinder ISEO Zero1 Libra ARGO series

INAL® is presenting a unique combination of VL 155C "Chameleon" with the Electronic cylinder ISEO Zero1 Libra ARGO series, which consists a fantastic solution for entrance control, multiple users' without the necessity of key (availability of Remote Key delivery and Invitation), with events data storage and activation either from a smartphone or from cards. Available in **ISEO KIT**.

ISEO KIT

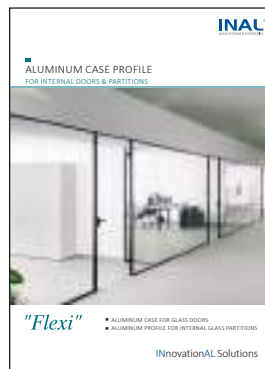
- CYLINDER**
ISEO EU-M/E
STANDARD
SMART
- EXTRA BATTERY**
PILE LITHIUM
2/3 AA 3,6V
+ Connection
Cable
- MASTER CARD**
DESF EV2 2K
ARGO
- USER CARD**
ARGO
[10 PCS]
- ASSEMBLING
TOOLING KIT
FOR LIBRA**
- + 100 ACCESS CODES
VIA MOBILE PHONE**

VL 155 Chameleon

VERTICAL GLASS LOCK SERIES



ALSO DOWNLOAD OUR PRODUCT CATALOGUES



INnovationAL Solutions