

BALCONIES - GLASS BALUSTRADE RAILS



- FLOOR MOUNTED GLASS BALUSTRADE RAIL
INAL[®] B1712075
- FLOOR MOUNTED GLASS BALUSTRADE RAIL
INAL[®] B1710570
- FLOOR MOUNTED GLASS BALUSTRADE RAIL
INAL[®] B179050
- FLOOR MOUNTED GLASS BALUSTRADE RAIL
INAL[®] B1785
- FLOOR MOUNTED GLASS BALUSTRADE RAIL
INAL[®] B1790
- SIDE MOUNTED GLASS BALUSTRADE RAIL
INAL[®] S1780
- INFLOOR MOUNTED GLASS BALUSTRADE RAIL
INAL[®] U1780
- FLOOR MOUNTED BASE PROFILES
& SLOT TUBES
- SPACERS FOR GLASS BALUSTRADES

INAL® **B1712075**

floor mounted glass balustrade rail



INTERMETAL SA DESIGN

The **B1712075** glass railing system from INAL® is designed especially for crowded public spaces, such as stadiums, shopping malls, museums and office buildings. Able to absorb a line load of **3,10 kN** to the glass at **1,40m** high, the **B1712075** meets worldwide safety and building regulations. Extremely robust and easy to assemble, the system is available for top mount installation and glass thicknesses of 20,76 mm to 31,52 mm.

technical specifications

WIDTH	75mm	
HEIGHT	120mm	
GLASS THICKNESS	20,76mm- 31,52mm	
LENGTH	4,10m	
MATERIAL	ALUMINIUM	
FINISHING	NATURAL ANODIZED, SATIN ANODIZED, RAL POWDER COATING, INOX MAT	
	WIND LOAD	LINE LOAD
1,40m HEIGHT	7,35 kN/m ²	3,10 kN/m
1,30m HEIGHT	8,00 kN/m ²	3,40 kN/m
1,20m HEIGHT	8,80 kN/m ²	3,70 kN/m ²

! Combine WITH INAL®



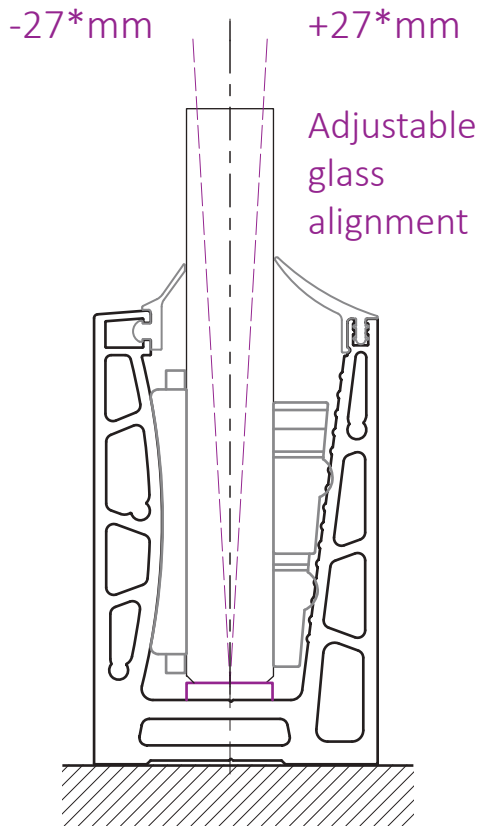
HANDRAIL
PROFILE "Q"
5022.25



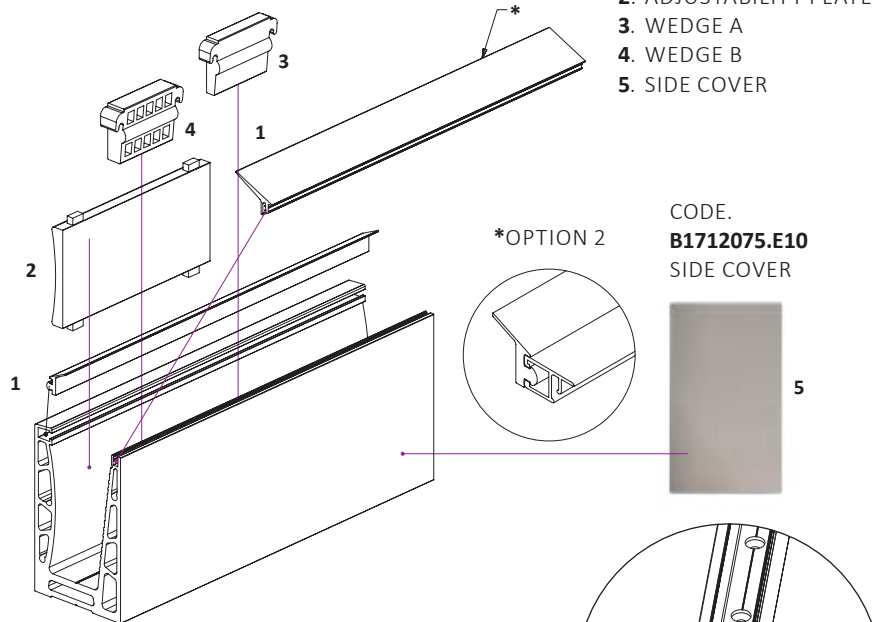
HANDRAIL
PROFILE "N"
5026.25

ALWAYS USE SAFETY GLASS.
ALL FIGURES ARE CALCULATED WITH TEMPERED-LAMINATED GLASS.
ALWAYS FOLLOW THE REGULATIONS OF THE GLASS FABRICATORS.

glass alignment

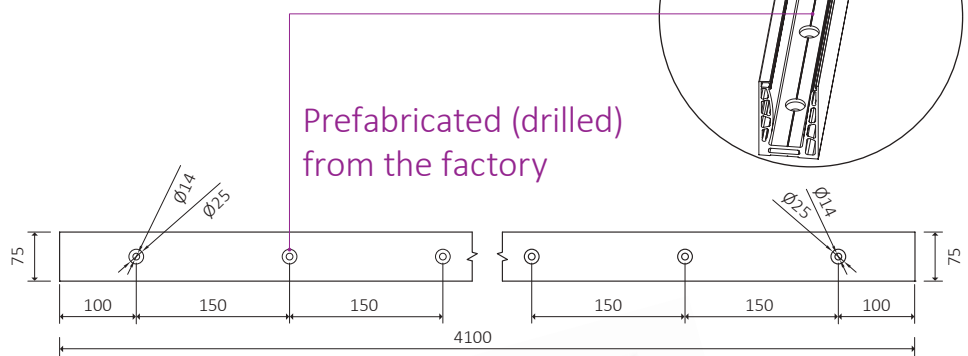
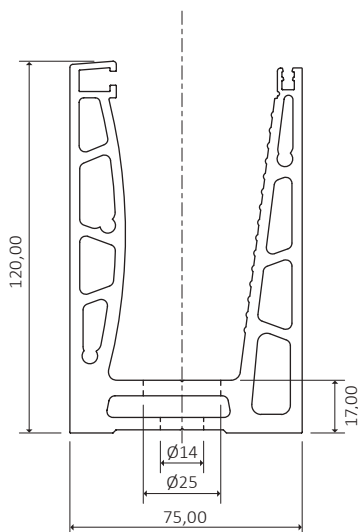


accessories



GLASS HEIGHT	GLASS ALIGNMENT
1,20m	± 22mm
1,30m	± 25mm
1,40m	± 27mm

cross sections



tools

CODE **B1780.E50.D1.31**
TOOL EXTRACTOR
OF WEDGES FOR CLAMP PROFILES B1712075/
B1710570/B179050/ B1780/B1790/B1785



Dimensions mm

INAL® B1710570

floor mounted glass balustrade rail



INTERMETAL SA DESIGN

INAL® floor mounted glass balustrade base rail solution for balconies. An innovative, patented aluminum rail profile with adjusting alignment for the easiest installation of the glass. A durable and secure glass balustrading application glass thickness from 12-21,52 safety glass up to 1,20m height from the floor level (finished floor) without any vertical supports or connectors.

technical specifications

WIDTH	68mm	
HEIGHT	105mm	
GLASS THICKNESS	12,00mm- 13,52mm 15,00mm- 17,52mm 19,00mm- 21,52mm	
LENGTH	6m	
MATERIAL	ALUMINIUM	
FINISHING	NATURAL ANODIZED, SATIN ANODIZED, RAL POWDER COATING, INOX MAT	
	WIND LOAD	LINE LOAD
1,20m HEIGHT	8,17 kN/m ²	2,72 kN/m
1,10m HEIGHT	10,22 kN/m ²	3,00 kN/m
1,00m HEIGHT	12,40 kN/m ²	3,31 kN/m ²

! Combine WITH INAL®



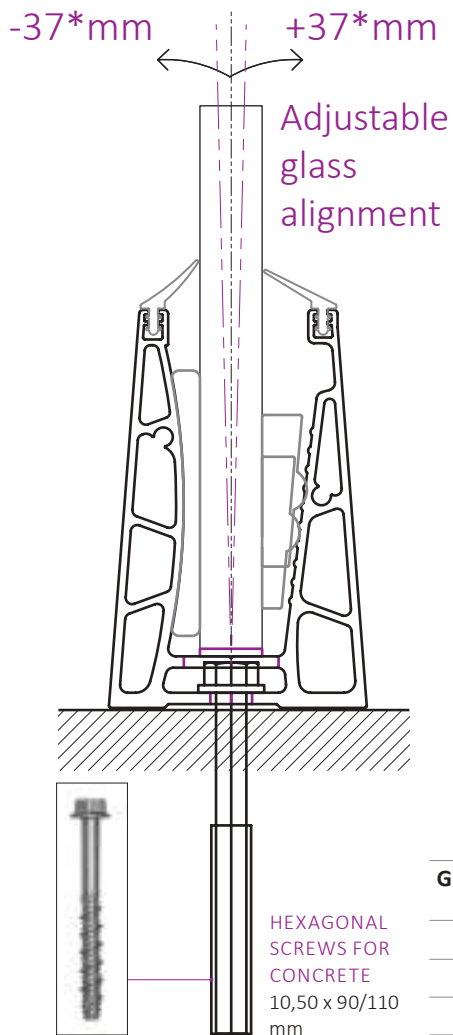
HANDRAIL
PROFILE "Q"
5022.25



HANDRAIL
PROFILE "N"
5026.25

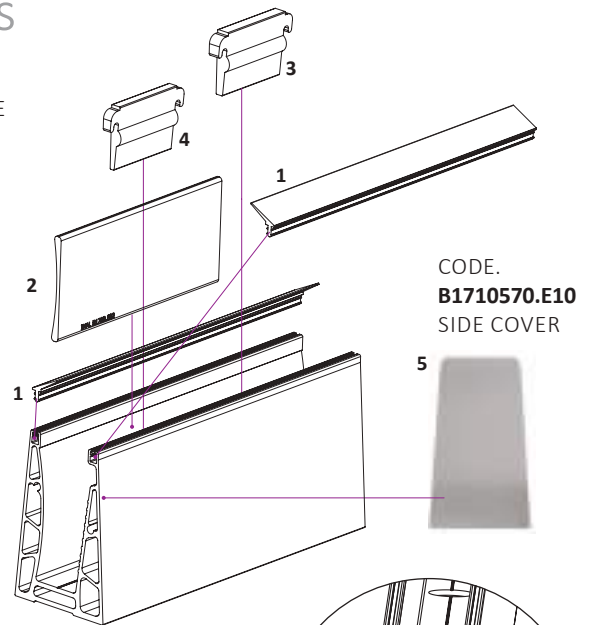
ALWAYS USE SAFETY GLASS.
ALL FIGURES ARE CALCULATED WITH TEMPERED-LAMINATED GLASS.
ALWAYS FOLLOW THE REGULATIONS OF THE GLASS FABRICATORS.

glass alignment



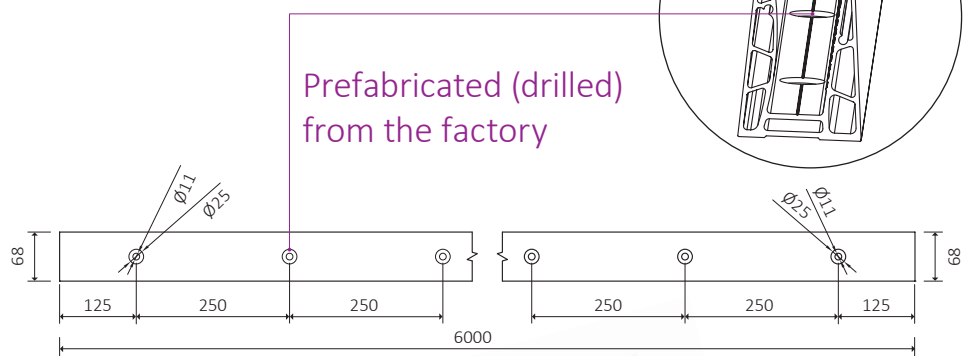
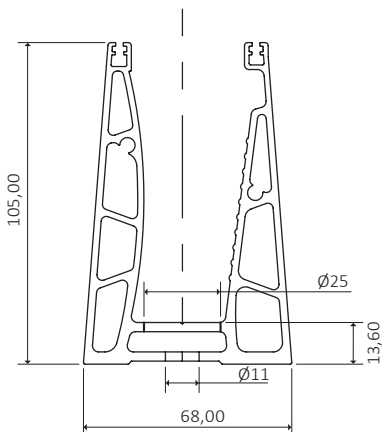
accessories

1. GASKET
2. ADJUSTABILITY PLATE
3. WEDGE A
4. WEDGE B
5. SIDE COVER



GLASS HEIGHT	GLASS ALIGNMENT
1,0m	± 30mm
1,10m	± 33mm
1,20m	± 37mm

cross sections



tools

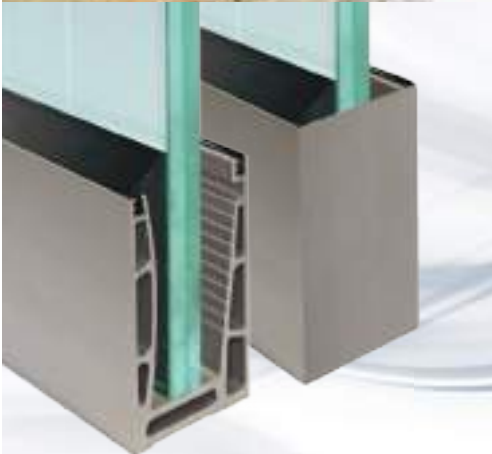
CODE **B1780.E50.D1.31**
TOOL EXTRACTOR
OF WEDGES FOR CLAMP PROFILES B1712075/
B1710570/B179050/ B1780/B1790/B1785



Dimensions mm

INAL® B179050

floor mounted glass balustrade rail



INTERMETAL SA DESIGN

INAL® FLOOR MOUNTED glass balustrade base rail solution for balconies. An innovative, patented aluminum rail profile with adjusting alignment for the easiest installation of the glass. A durable and secure glass balustrading application glass thickness from 12,76-21,52mm safety glass up to 1,0m height from the floor level (finished floor) without any vertical supports or connectors.

technical specifications

WIDTH	51,20mm	
HEIGHT	90mm	
GLASS THICKNESS	12,76mm - 13,52mm 16,76mm - 17,52mm 20,76mm - 21,52mm	
LENGTH	6m	
MATERIAL	ALUMINUM	
FINISHING	NATURAL ANODIZED, SATIN ANODIZED, RAL POWDER COATING, INOX MAT	
	WIND LOAD	LINE LOAD
1,00m HEIGHT	6,50 kN/m ²	2,00 kN/m
0,90m HEIGHT	8,10 kN/m ²	2,20 kN/m

! Combine WITH INAL®



HANDRAIL
PROFILE "Q"
5022.25



HANDRAIL
PROFILE "N"
5026.25

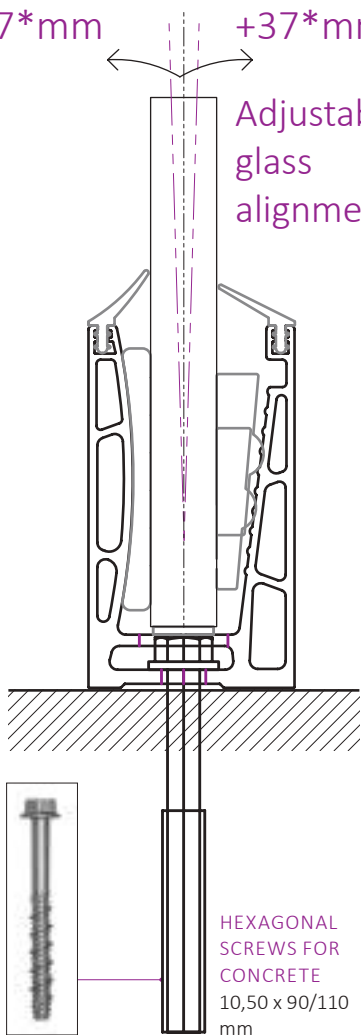
ALWAYS USE SAFETY GLASS.

ALL FIGURES ARE CALCULATED WITH TEMPERED-LAMINATED GLASS.

ALWAYS FOLLOW THE REGULATIONS OF THE GLASS FABRICATORS.

glass alignment

-37*mm +37*mm
Adjustable glass alignment

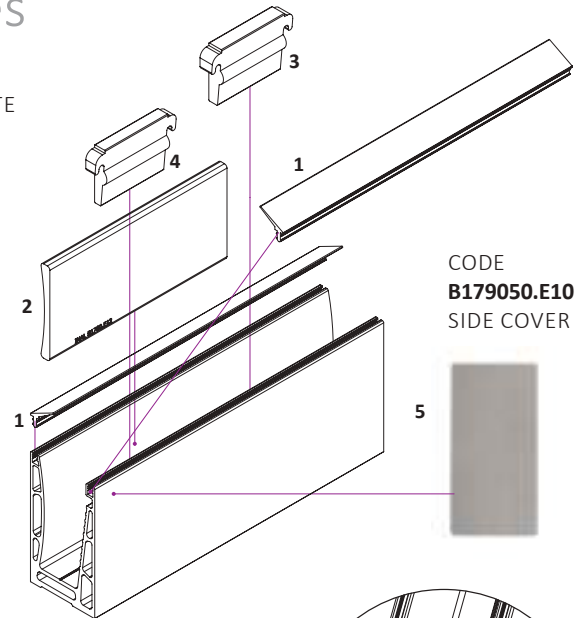


HEXAGONAL SCREWS FOR CONCRETE
10,50 x 90/110 mm

GLASS HEIGHT	GLASS ALIGNMENT
0,90m	± 30mm
1,00m	± 33mm

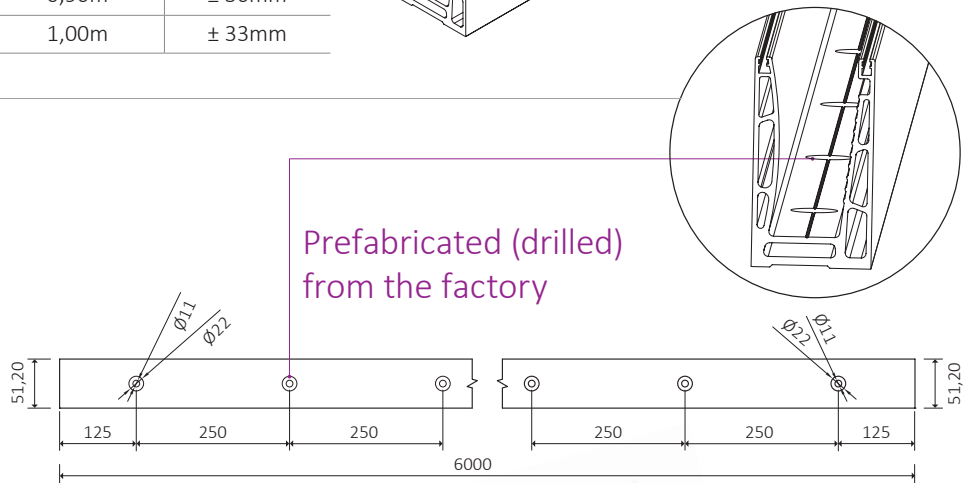
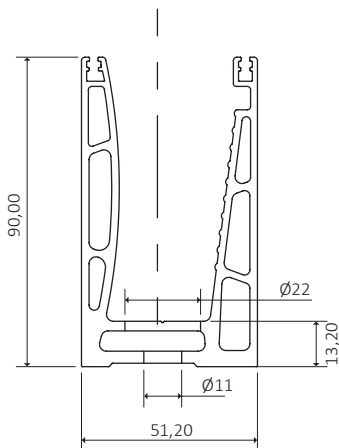
accessories

1. GASKET
2. ADJUSTABILITY PLATE
3. WEDGE A
4. WEDGE B
5. SIDE COVER



CODE
B179050.E10
SIDE COVER

cross sections



tools

CODE **B1780.E50.D1.31**
TOOL EXTRACTOR
OF WEDGES FOR CLAMP PROFILES B1712075/
B1710570/B179050/ B1780/B1790/B1785



Dimensions mm

INAL® B1785

floor mounted glass balustrade rail



INAL® FLOOR MOUNTED glass balustrade base rail solution for balconies.

An innovative, patented aluminum rail profile with adjusting alignment for the easiest installation of the glass.

A durable and secure glass balustrading application glass thickness from 12-17,52mm safety glass.

An ideal solution for applications above parapet for maximum glass height 0,70m.

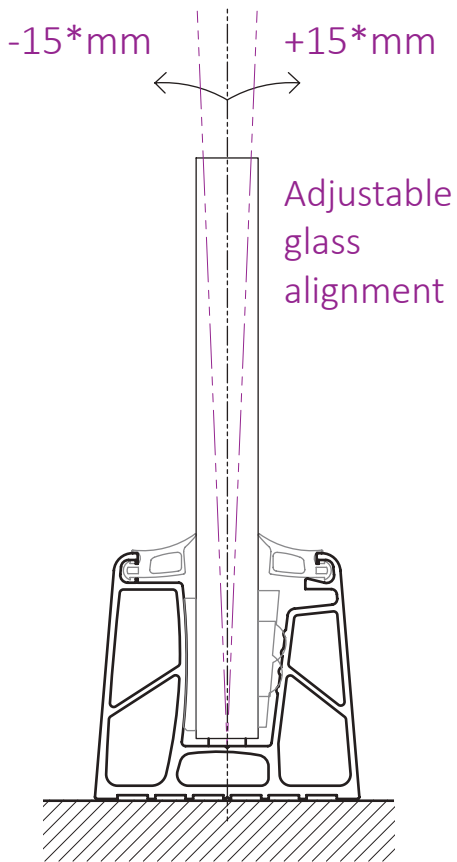


ALWAYS USE SAFETY GLASS.
ALL FIGURES ARE CALCULATED WITH TEMPERED-LAMINATED GLASS.
ALWAYS FOLLOW THE REGULATIONS OF THE GLASS FABRICATORS.

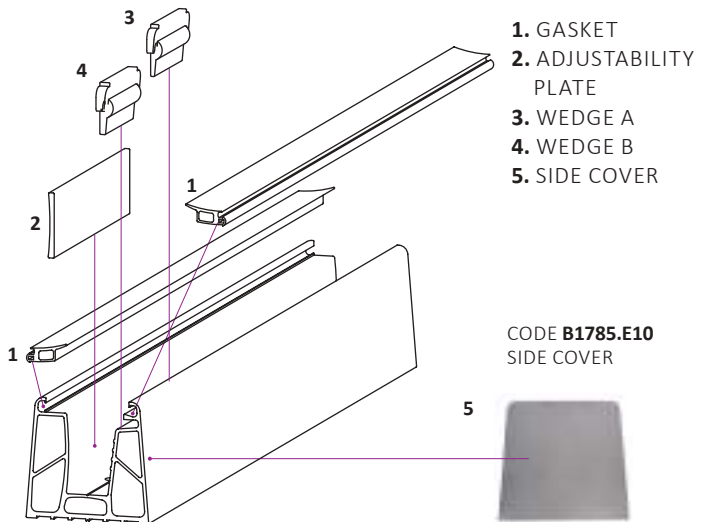
technical specifications

WIDTH	70mm
HEIGHT	65mm
GLASS THICKNESS	12,00mm - 13,52mm 15,00mm - 17,52mm
LENGTH	6m
MATERIAL	ALUMINUM
FINISHING	NATURAL ANODIZED, SATIN ANODIZED, RAL POWDER COATING

glass alignment

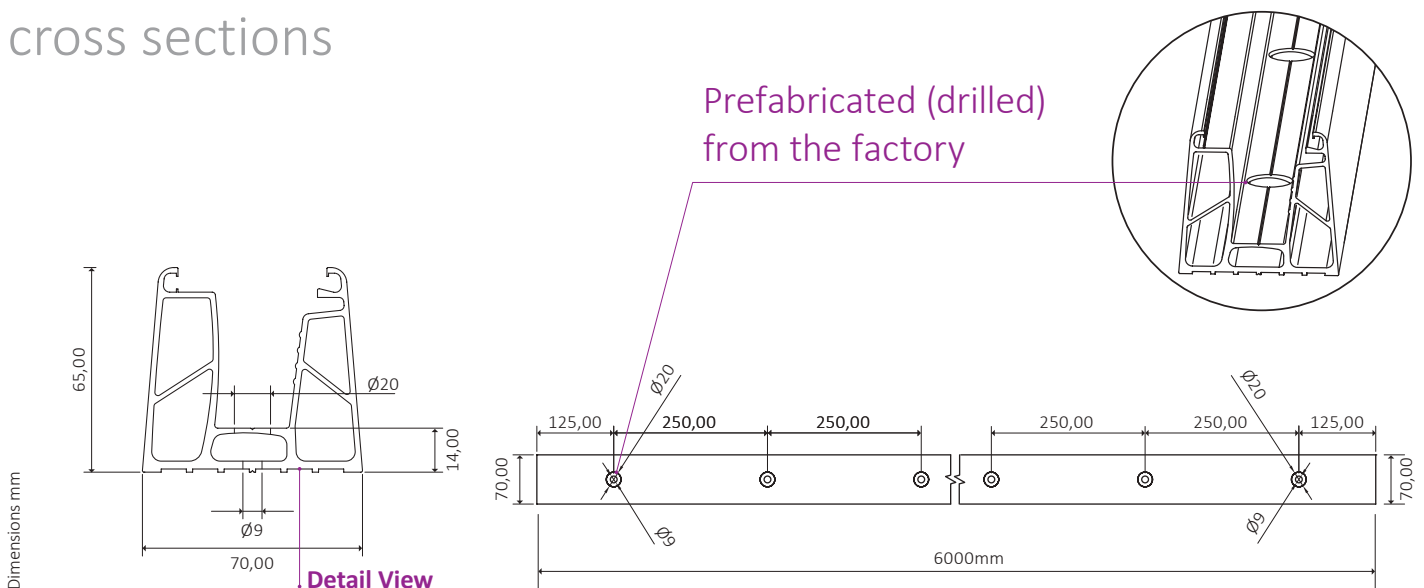


parts



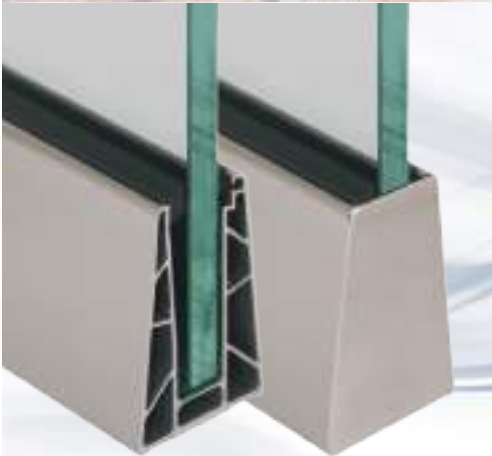
GLASS HEIGHT	ALIGNMENT
0,70m	± 15mm

cross sections



INAL® B1790

floor mounted glass balustrade rail



INTERMETAL SA DESIGN

INAL® floor mounted glass balustrade base rail solution for balconies provides a limitless view and unobstructed aesthetic result.

Aluminum rail profile for easy and quick installation of the glass. A durable and secure glass balustrading application glass thickness from 16,76-21,52mm safety glass up to 1,10m height from the floor level (finished floor) without any vertical supports or connectors.

The ultimate glass balustrade rail system of impeccable quality and uncompromising safety



! Combine with INAL®



HANDRAIL
PROFILE "Q"
5022.25



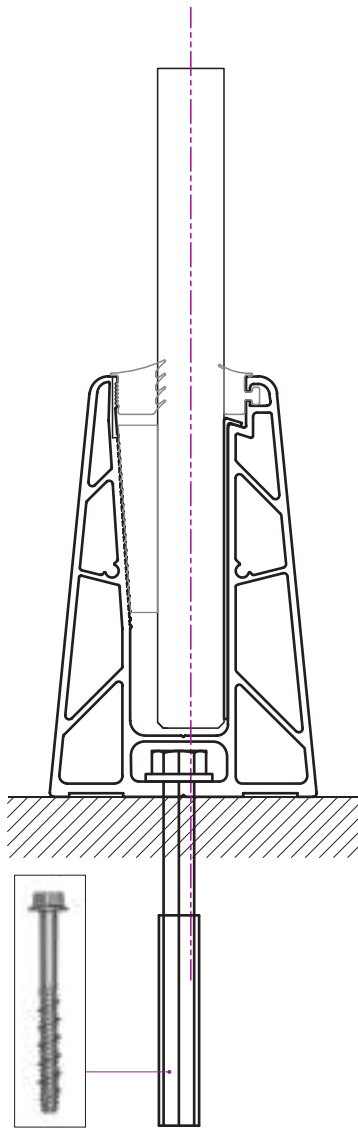
HANDRAIL
PROFILE "N"
5026.25

ALWAYS USE SAFETY GLASS.
ALL FIGURES ARE CALCULATED WITH TEMPERED-LAMINATED GLASS.
ALWAYS FOLLOW THE REGULATIONS OF THE GLASS FABRICATORS.

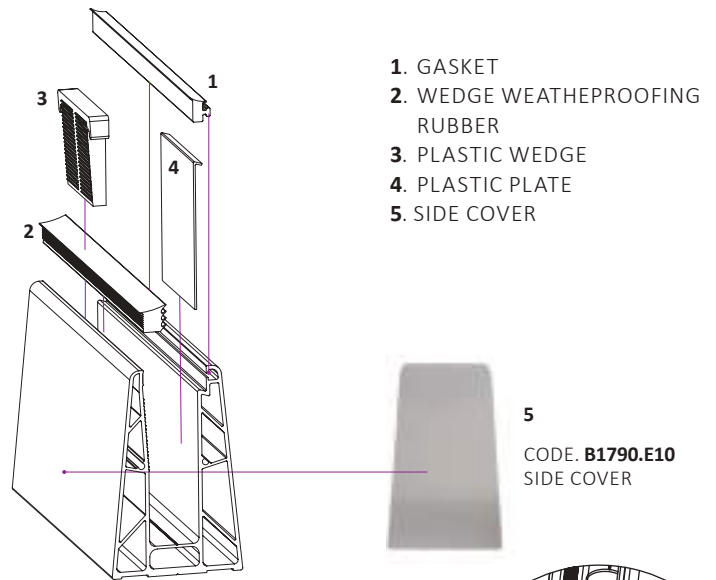
technical specifications

WIDTH	70mm
HEIGHT	110mm
GLASS THICKNESS	16,76mm - 17,52mm 20,76mm - 21,52mm
LENGTH	6m
MATERIAL	ALUMINUM
FINISHING	NATURAL ANODIZED, SATIN ANODIZED, RAL POWDER COATING

cross sections

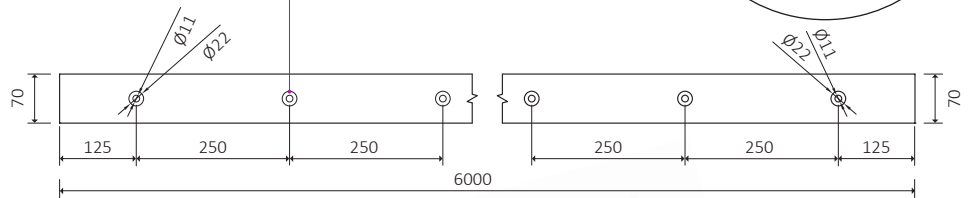
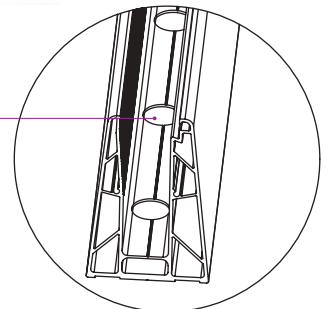


HEXAGONAL SCREWS FOR CONCRETE
10,50 X 90 MM

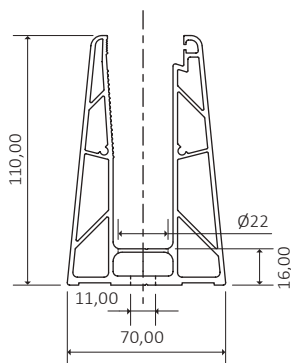


5
CODE: **B1790.E10**
SIDE COVER

Prefabricated (drilled)
from the factory



Dimensions mm



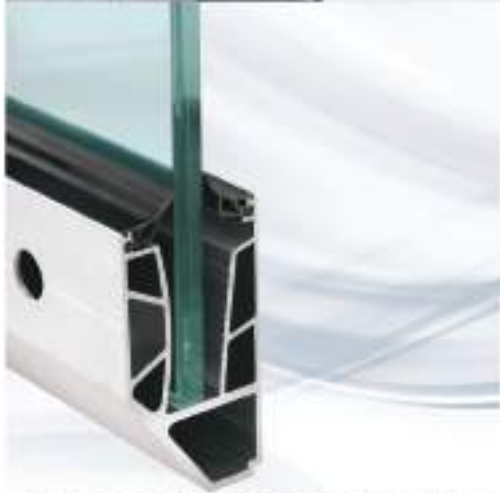
tools

CODE **B1780.E50.D1.31**
TOOL EXTRACTOR
OF WEDGES FOR CLAMP PROFILES B1712075/
B1710570/B179050/ B1780/B1790/B1785



INAL® S1780

side mounted glass balustrade rail



INTERMETAL SA PATENT



! Combine with INAL®



HANDRAIL
PROFILE «Q»
5022.25



HANDRAIL
PROFILE «П»
5026.25

ALWAYS USE SAFETY GLASS.

ALL FIGURES ARE CALCULATED WITH TEMPERED-LAMINATED GLASS.

ALWAYS FOLLOW THE REGULATIONS OF THE GLASS FABRICATORS.

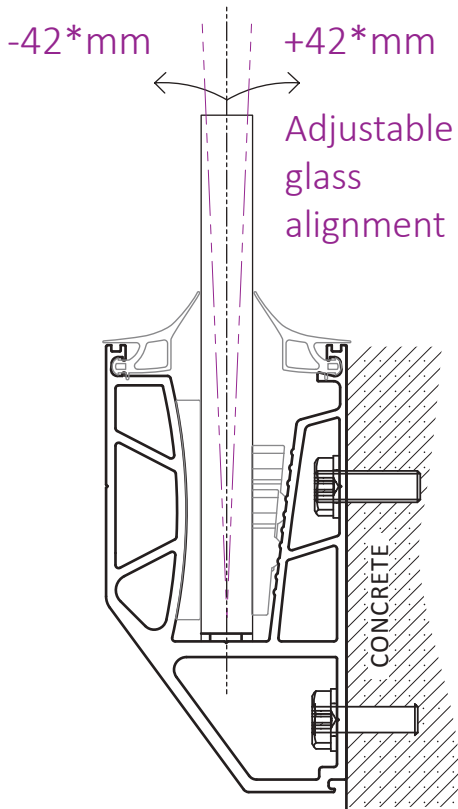
INAL® SIDE MOUNTED glass balustrade base rail solution for balconies. An innovative, patented aluminum rail profile with adjusting alignment for the easiest installation of the glass. A durable and secure glass balustrading application glass thickness from 12-21,52mm safety glass. Maximum glass height 1,20m from the floor level (finished floor) and maximum glass height 1,30m in total without any vertical supports or connectors. Combined with stainless steel and aluminum decorative covers.

technical specifications

WIDTH	77mm
HEIGHT	143mm
GLASS THICKNESS	12,00mm - 13,52mm 15,00mm - 17,52mm 19,00mm - 21,52mm
LENGTH	3m
MATERIAL	ALUMINUM
FINISHING	ALUMINUM MILL FINISH
COVER FINISHING	STAINLESS STEEL MIRROR, STAINLESS STEEL SATIN, RAL POWDER COATING

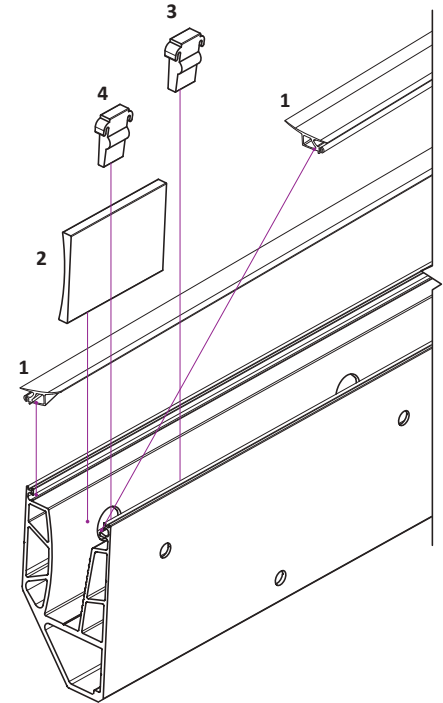
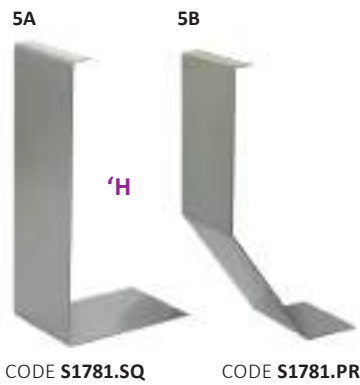
glass alignment

parts



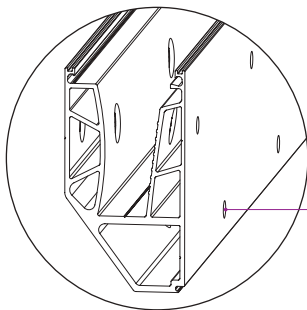
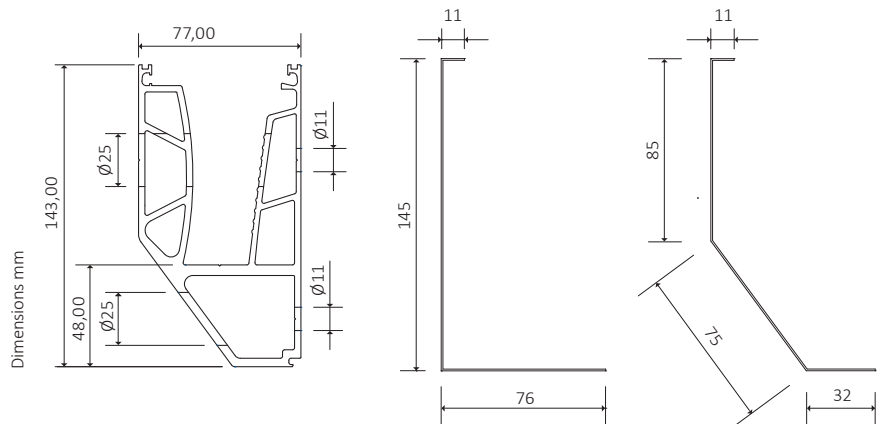
- 1. GASKET
- 2. ADJUSTABILITY PLATE
- 3. WEDGE A
- 4. WEDGE B
- 5A. SQUARE TYPE COVER
- 5B. PRISMATIC TYPE COVER

COVERS

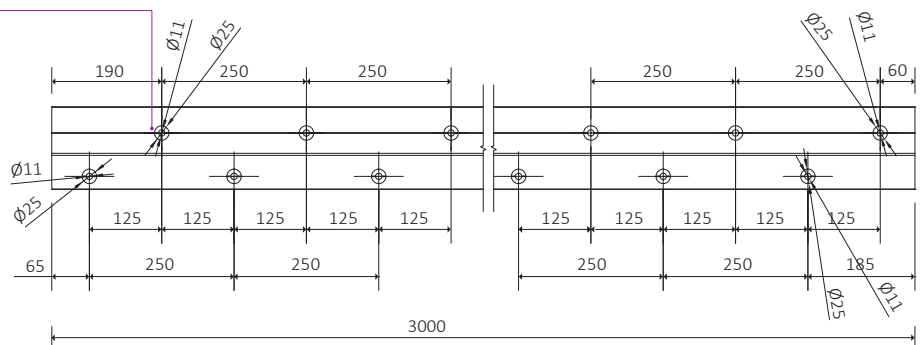


GLASS HEIGHT	ALIGNMENT
1,0m	± 34mm
1,10m	± 38mm
1,20m	± 42mm

cross sections



Prefabricated (drilled)
from the factory



INAL® U1780

infloor mounted glass balustrade rail



INTERMETAL SA PATENT

! Combine with INAL®



HANDRAIL
PROFILE "Q"
5022.25



HANDRAIL
PROFILE "N"
5026.25

ALWAYS USE SAFETY GLASS.
ALL FIGURES ARE CALCULATED WITH TEMPERED-LAMINATED GLASS.
ALWAYS FOLLOW THE REGULATIONS OF THE GLASS FABRICATORS.

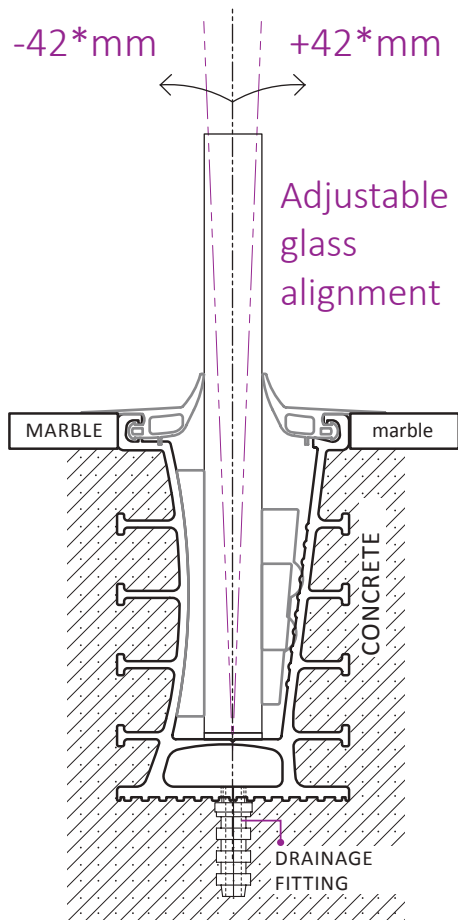
INAL® IN FLOOR mounted glass balustrade rail solution for balconies provides a limitless unobstructed view and unique aesthetic result. An innovative, patented aluminum rail profile with adjusting alignment for the easiest installation of the glass. A durable and secure glass balustrading application glass thickness from 12-21,52mm safety glass up to 1,20m height from the floor level (finished floor) without any vertical supports or connectors.

The ultimate glass balustrade rail system of impeccable quality and uncompromising safety.

technical specifications

WIDTH	66mm
HEIGHT	110mm
GLASS THICKNESS	12,00mm- 13,52mm 15,00mm- 17,52mm 19,00mm- 21,52mm
LENGTH	6m
MATERIAL	Aluminum
FINISHING	ALUMINUM MILL FINISH / ANODIZED ANTI CORROSION PROTECTION

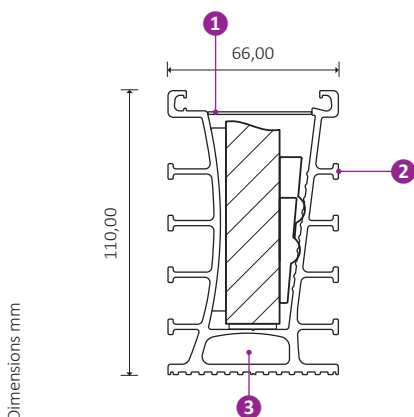
glass alignment



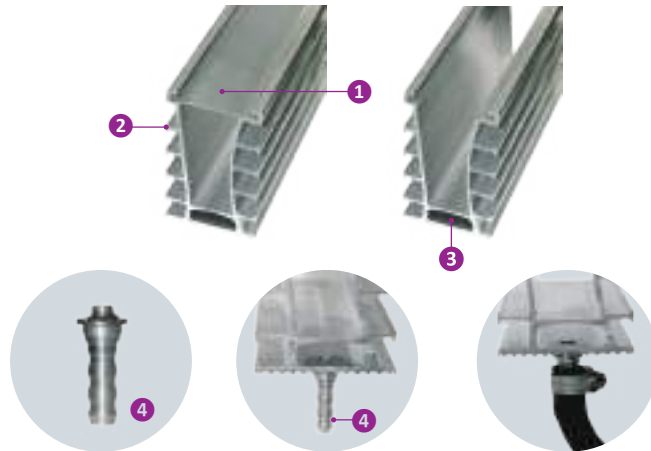
GLASS HEIGHT	ALIGNMENT
1,0m	± 34mm
1,10m	± 38mm
1,20m	± 42mm

cross section

Removable cover for protection from concrete



details



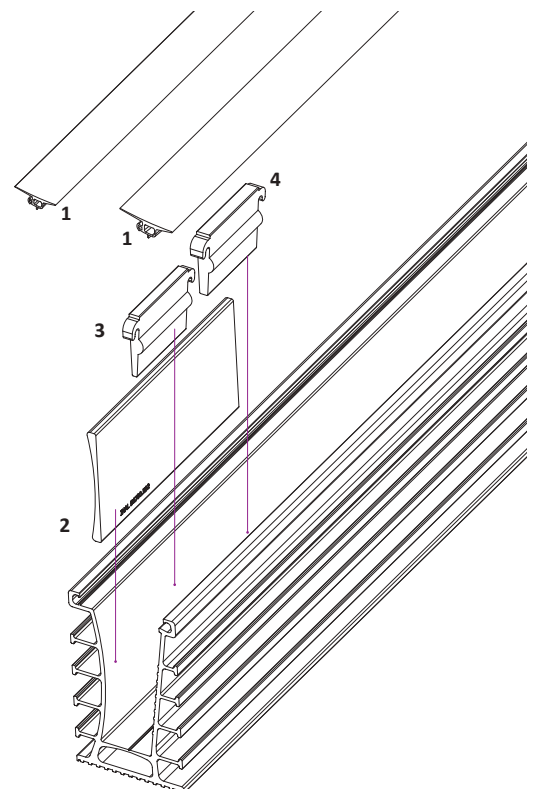
OPTIONAL
U1780.E20

Unique design for easy installation, with a removable aluminum cover **1** for protection during concrete casting. The side nerves **2** are specially designed for static strength and composite behaviour with concrete, for connecting and aligning profiles and for the retention with the internal metal structures of the concrete.

The inner chamber **3** is also a drain collector, which can be easily connected to the water abstraction system by using the drainage fitting **4**.

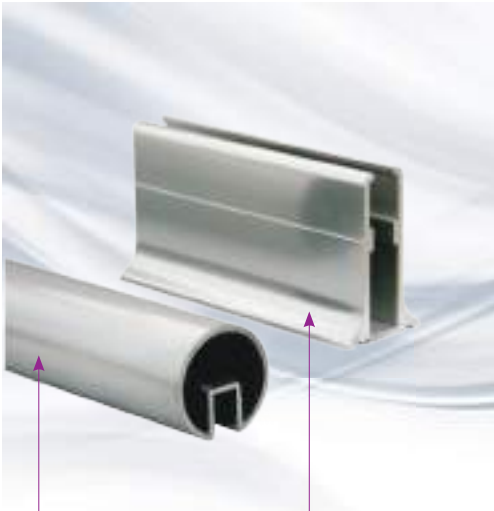
parts

1. GASKET
2. ADJUSTABILITY PLATE
3. WEDGE A
4. WEDGE B
5. SIDE COVER



INAL® 5020.25 - 5021.25 - 5022.25

floor mounted base profiles & slot tubes



CODE **5021.25**
ALUMINUM
SLOT TUBE Ø50,
FOR 10-11mm GLASS

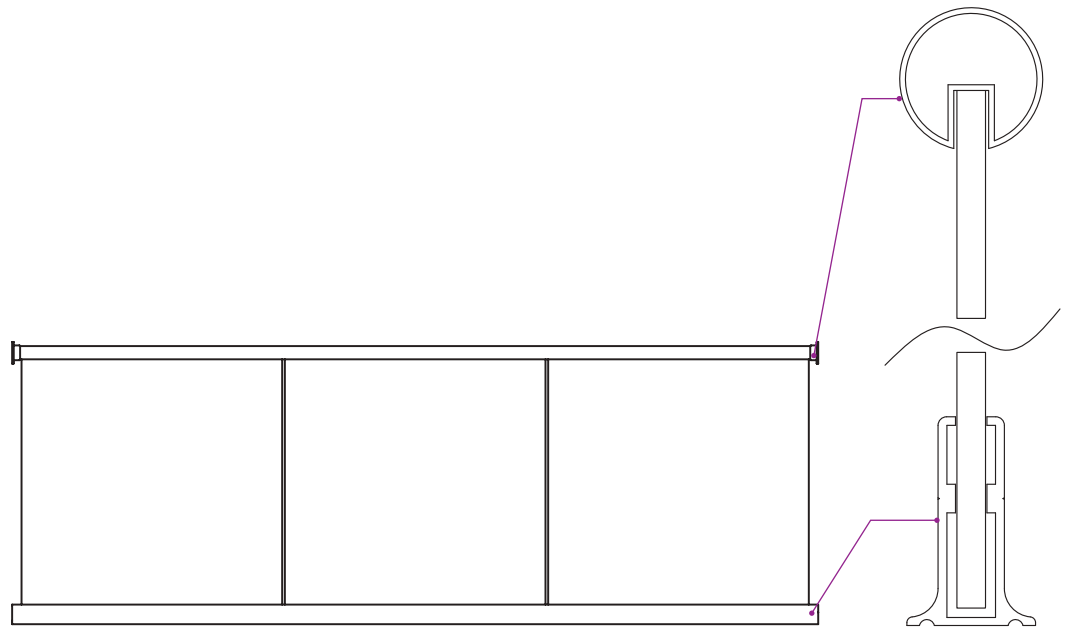
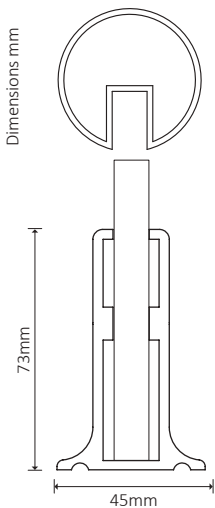
CODE **5020.25**
GROUND BASE
PROFILE,
FOR 10-11mm GLASS

INAL® Ground base profile in combination with INAL® Slot tubes, are suitable for applications with 10-11mm thickness glass panels.

technical specifications

WIDTH	45mm
HEIGHT	73mm
GLASS THICKNESS	10-11mm
LENGTH	6m
MATERIAL	Aluminum
FINISHING	Satin Anodized

application



handrail 5022

Available for Glass 16-21,52mm



CODE **5022.25**
ALUMINUM
SLOT TUBE
FOR 16-21,2mm
GLASS



CODE **5070.25**
EXTERNAL WALL FLANGE Ø50



CODE **5071.25**
COVER PLATE Ø50

ALWAYS USE SAFETY GLASS.
ALL FIGURES ARE CALCULATED
WITH TEMPERED-LAMINATED GLASS.
ALWAYS FOLLOW THE REGULATIONS OF THE
GLASS FABRICATORS.

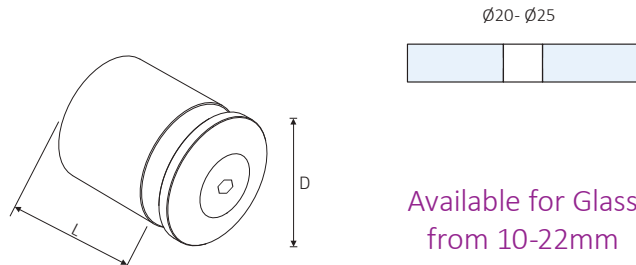
spacers



INAL® Stainless steel glass spacers adjustable or fixed. Heavy duty accessories made of stainless steel, providing stability at your glass balustrades and aesthetic minimal design at your balconies.

884. SERIES FIXED

Fixed Spacers , Stainless steel
AISI 316 / **AISI 304** | Finishing Satin



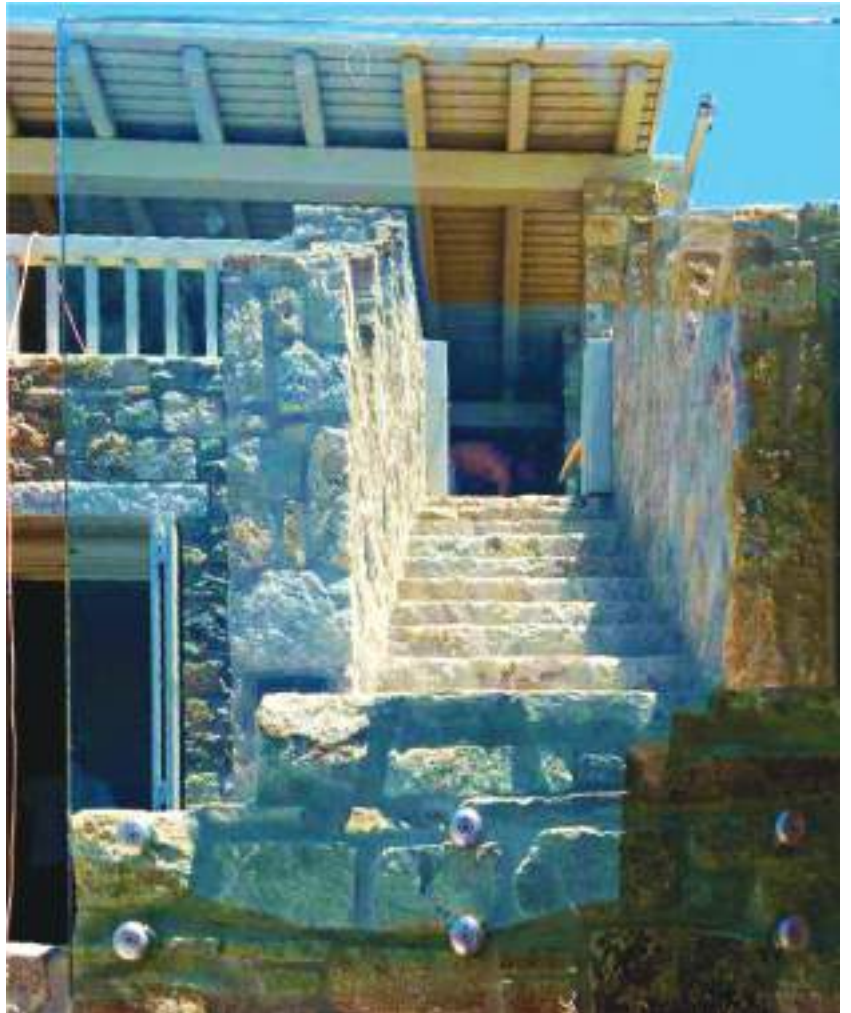
Available for Glass
 from 10-22mm



CODE	D	L
884.30/50/14MS.304	Ø50 mm	30 mm
884.40/40/14MS.304	Ø40 mm	40 mm
884.40/50/14MS.304	Ø50 mm	40 mm
884.40/50/14MS.316	Ø50 mm	40 mm
884.50/50/14MS.316	Ø50 mm	50 mm

885 ADJUSTABLE SPACER

spacers



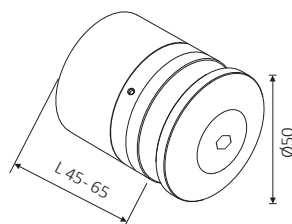
885.45.14MS.316 ADJUSTABLE

Adjustable Glass Spacer, Stainless steel

AISI 316 | Finishing Satin

Adjustment
from 45 up to 65mm

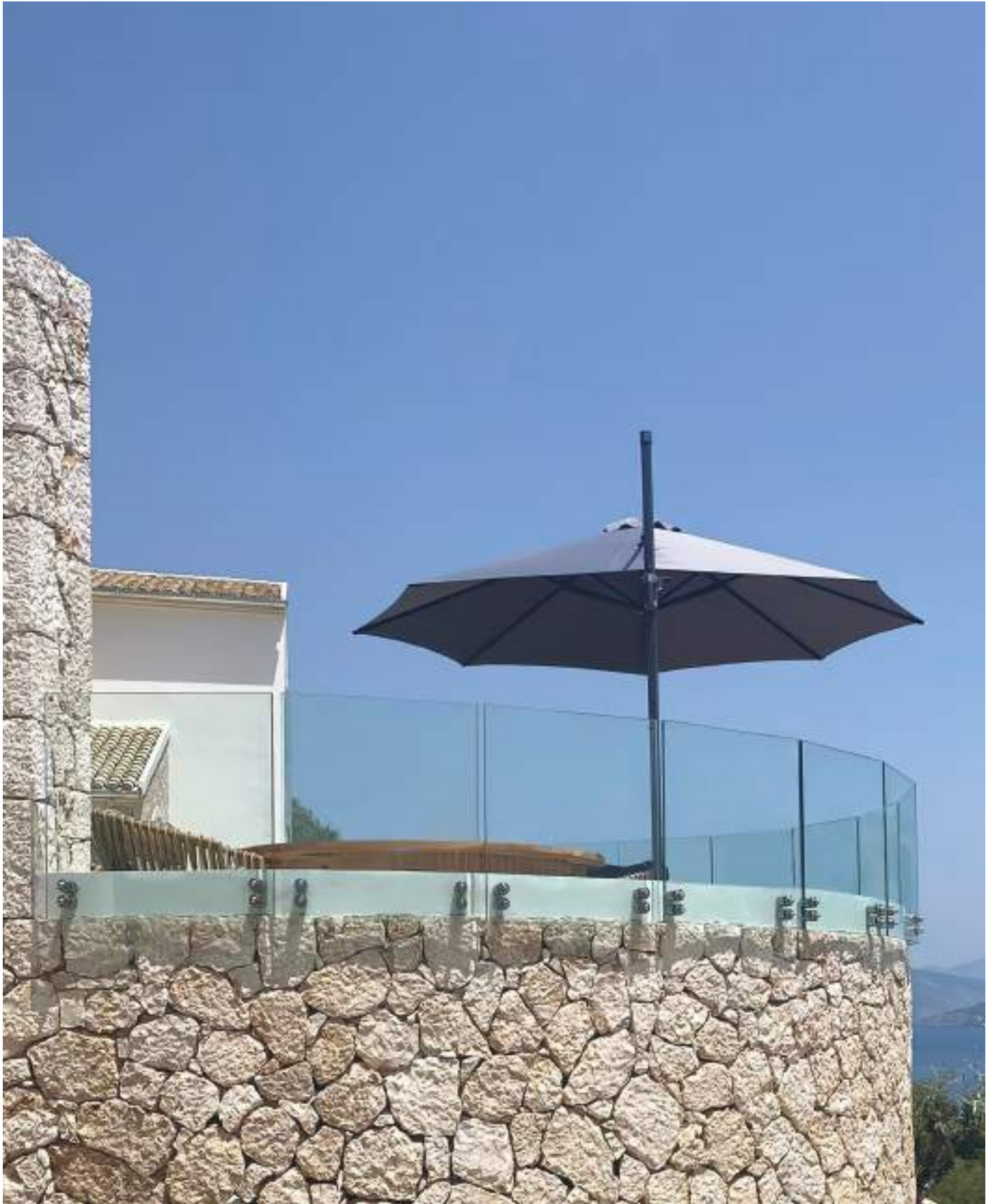
M10



Ø20- Ø25



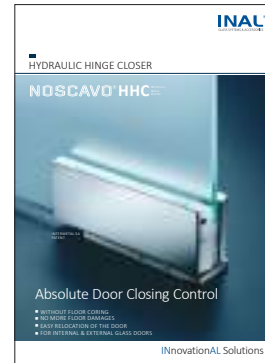
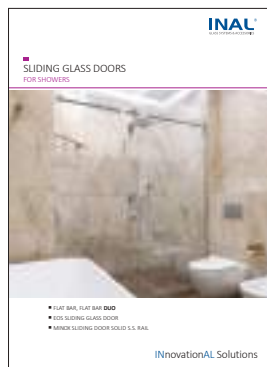
Available for Glass
from 10-22mm



BALCONIES - GLASS BALUSTRADE RAILS



ALSO DOWNLOAD OUR PRODUCT CATALOGUES



INnovationAL Solutions